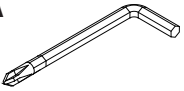
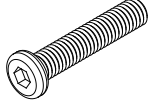
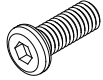
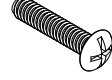
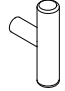
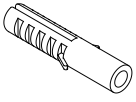
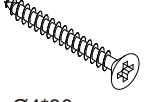
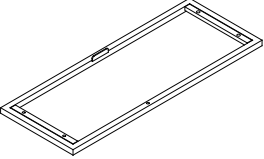




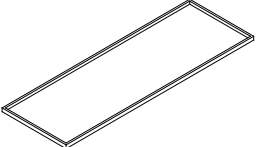
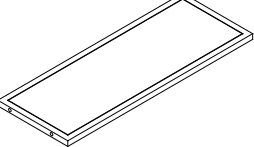
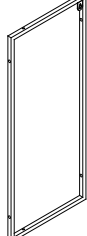
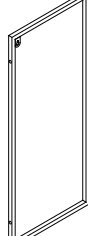
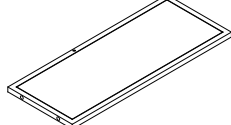
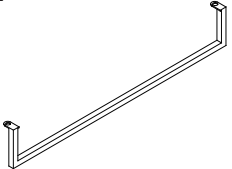


Assembly Instruction

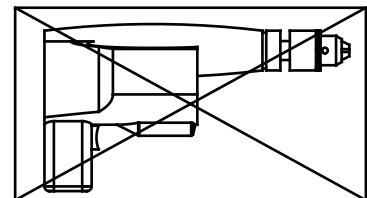
HARDWARE LIST

A 	B  M6x25mm	C  M6x10mm	D  M4x10mm	E 
1 PC	16 PCS	6 PCS	2 PCS	2 PCS
Q 	R  Ø4*30mm			
2 PCS	2 PCS			

PART LIST

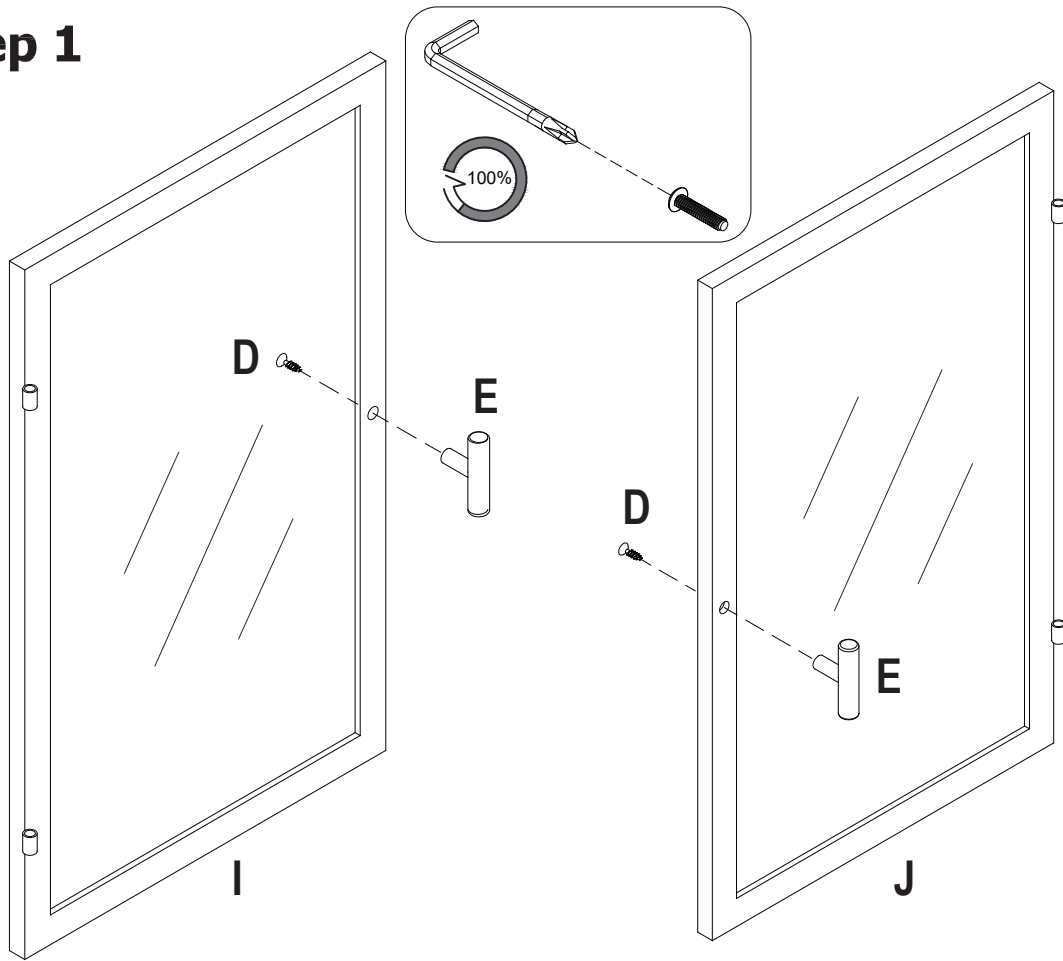
F 	G 	H 	I 	J 
1 PC	1 PC	1 PC	1 PC	1 PC
K 	L 	M 	N 	O 
1 PC	1 PC	1 PC	1 PC	1 PC
P 				
1 PC				

- Do not use power tools to assemble your furniture. Power tools may strip or damage the parts.



IMPORTANT NOTE: DO NOT tighten all screws and bolts until completely assembled

Step 1

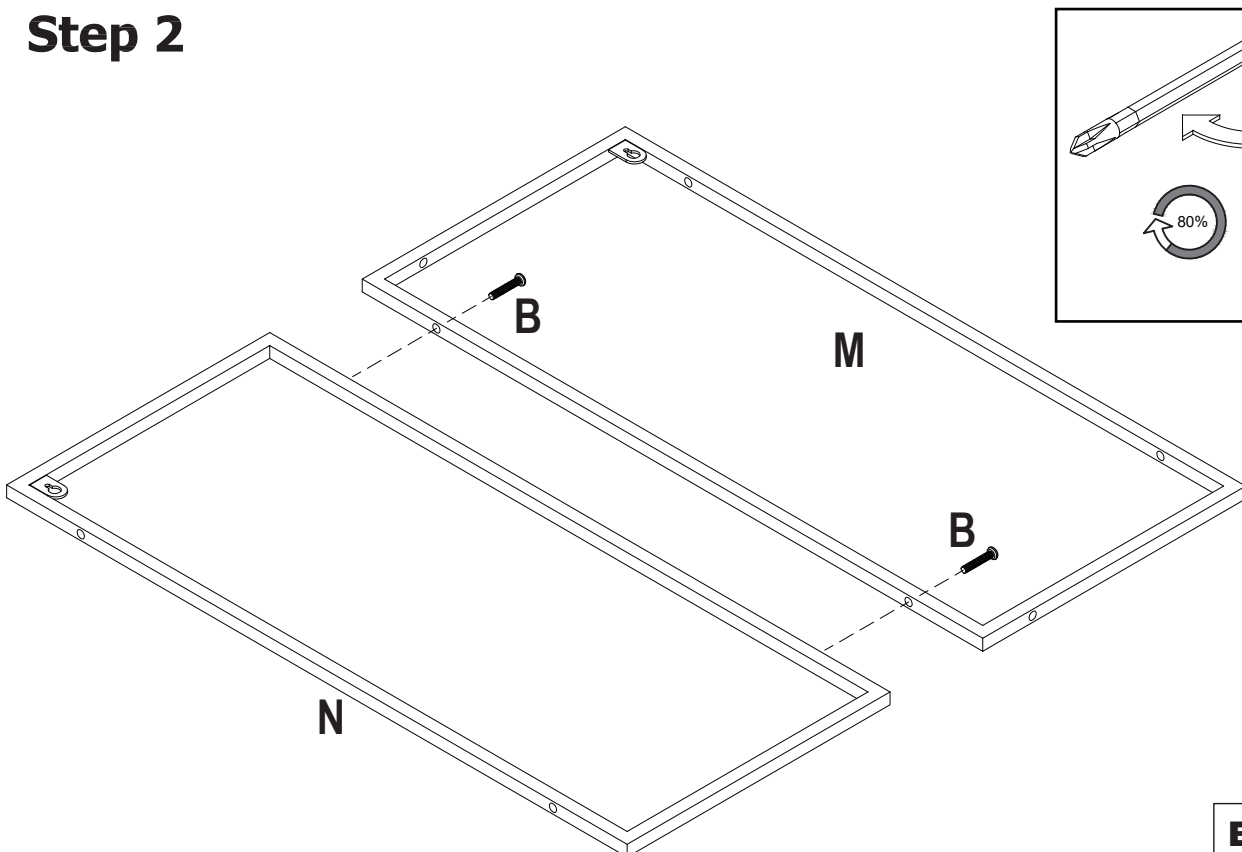


D X 2 PCS

A X 1 PC

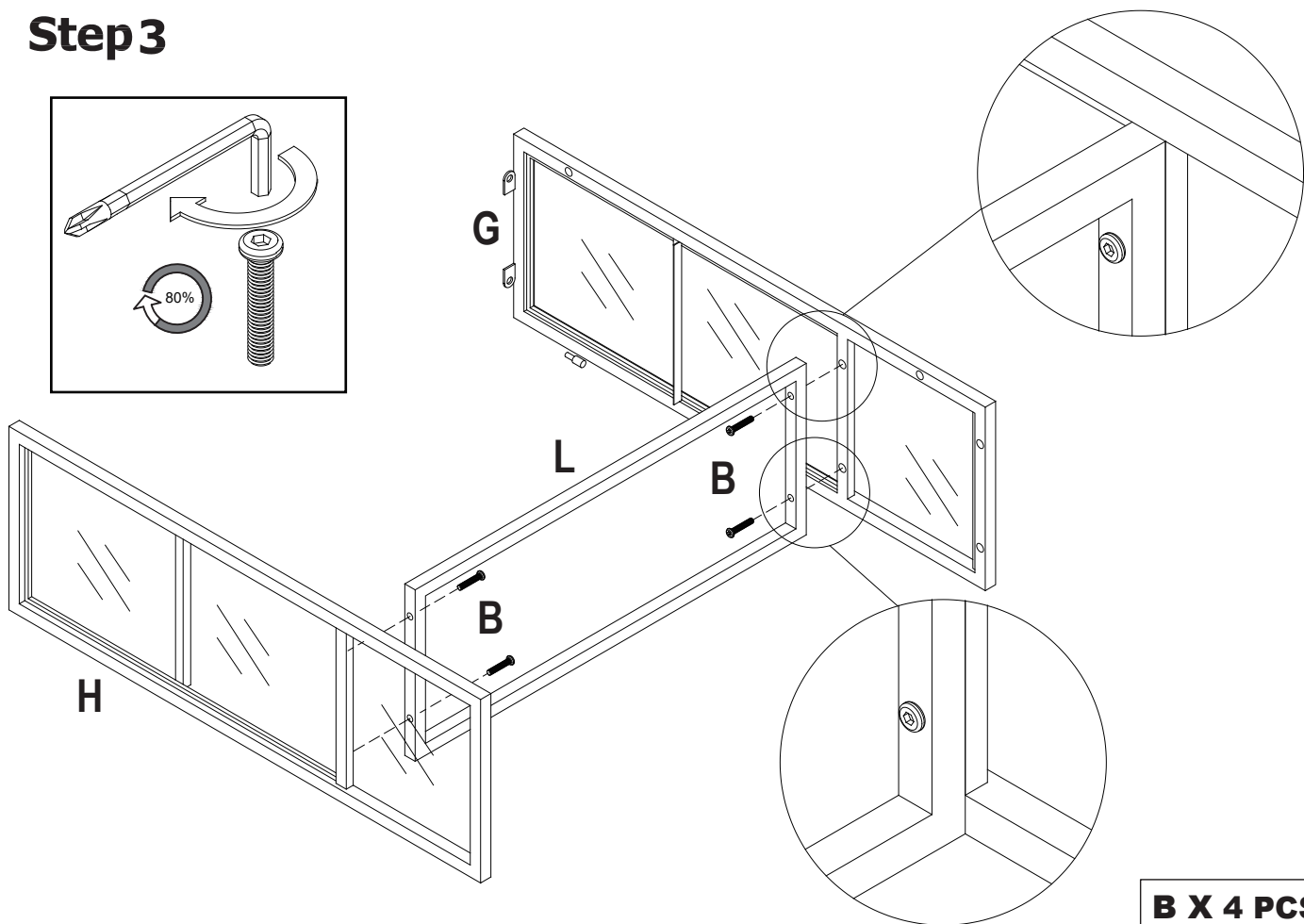
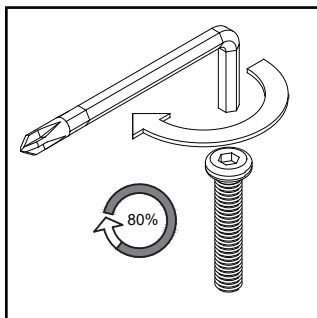
E X 2 PCS

Step 2



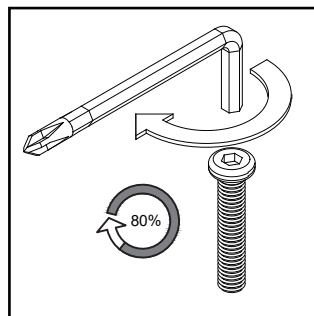
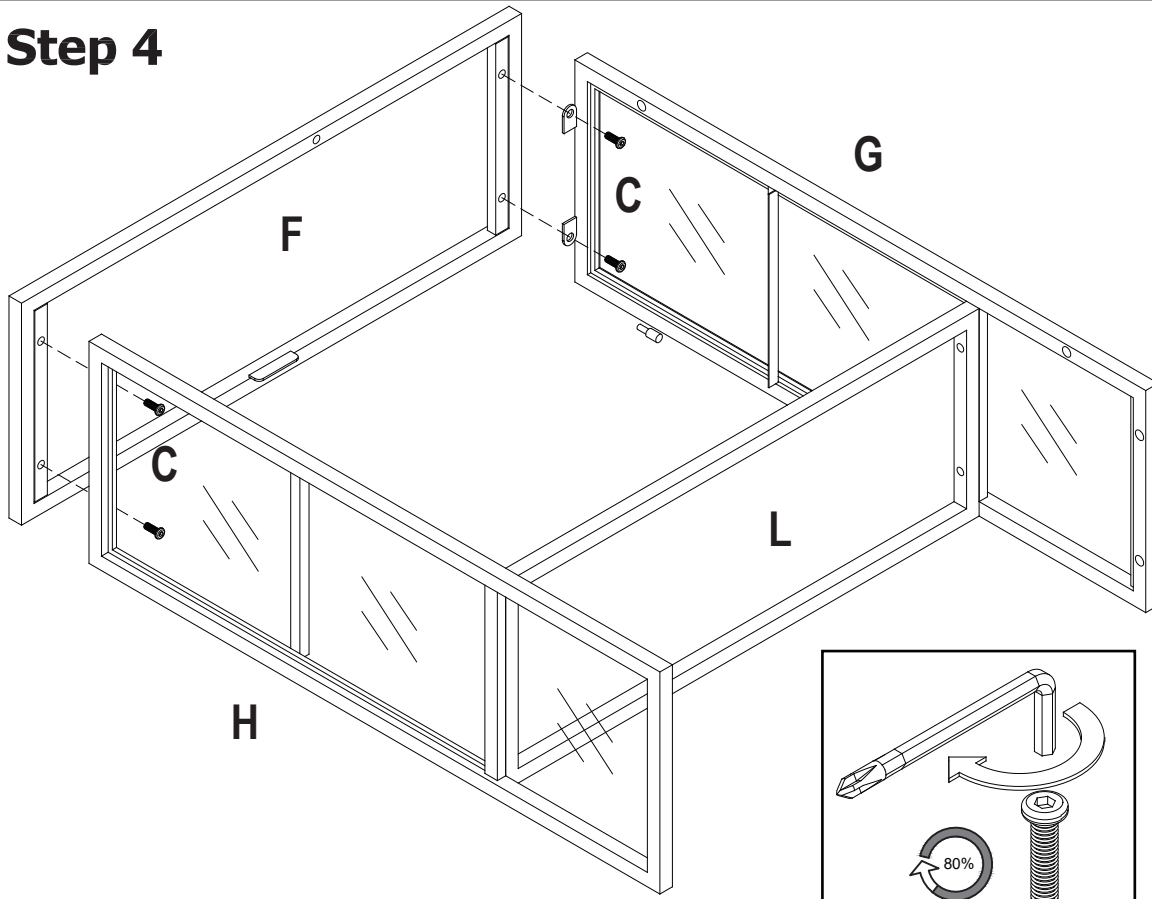
B X 2 PCS

Step 3



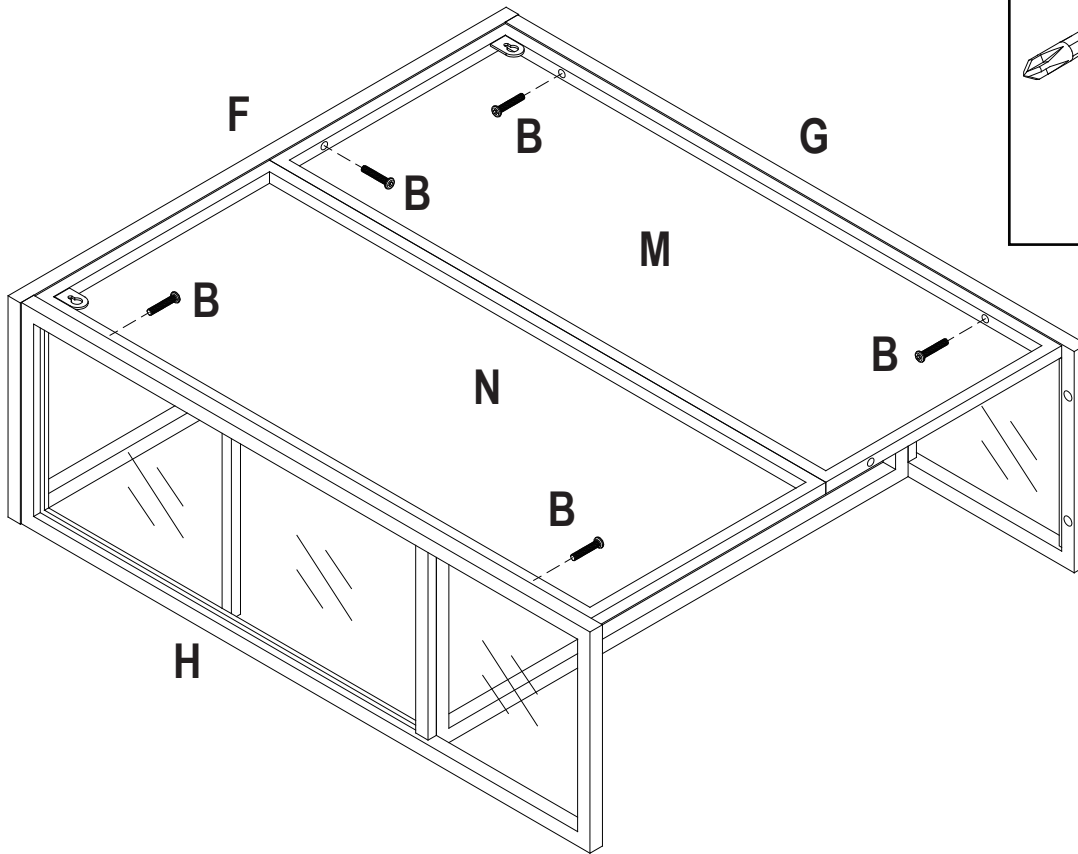
B X 4 PCS

Step 4



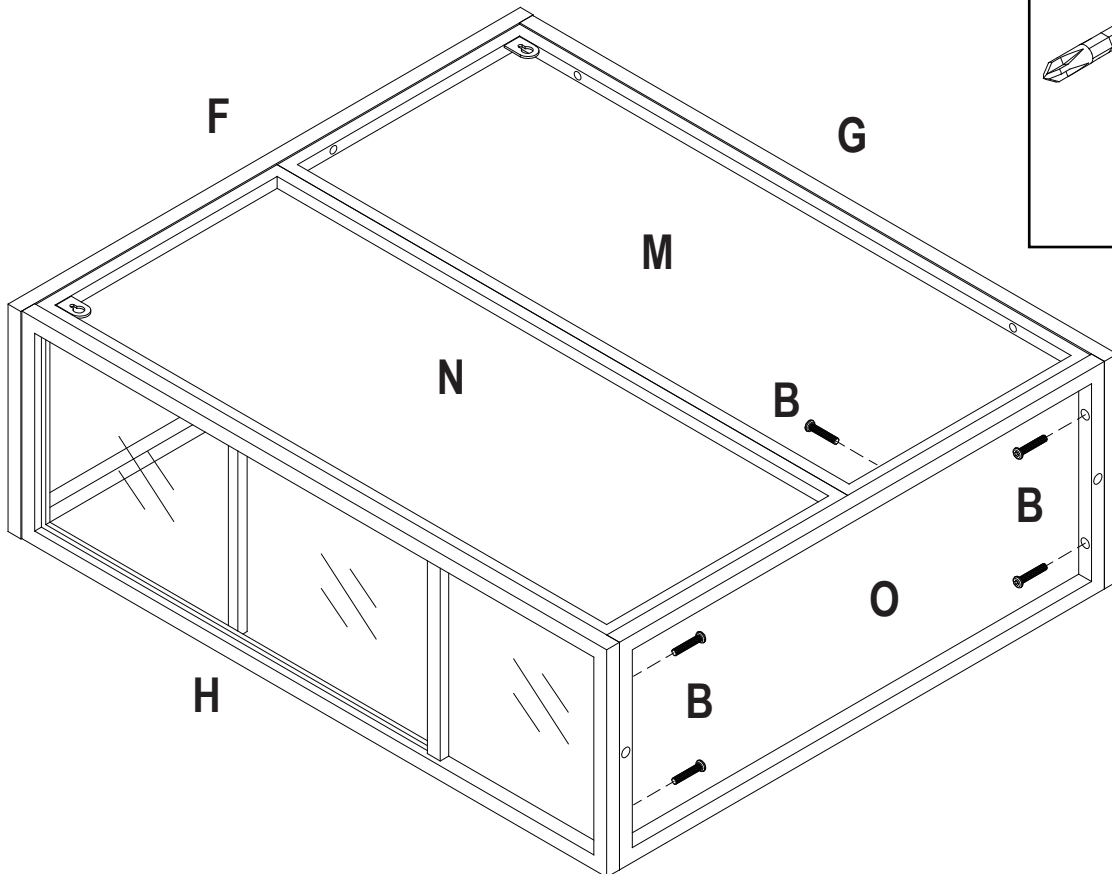
C X 4 PCS

Step 5



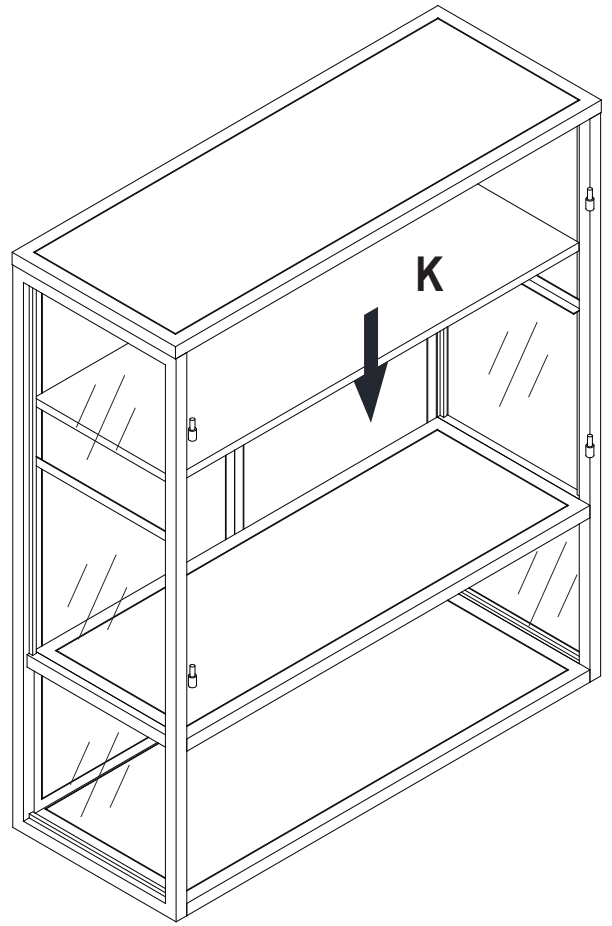
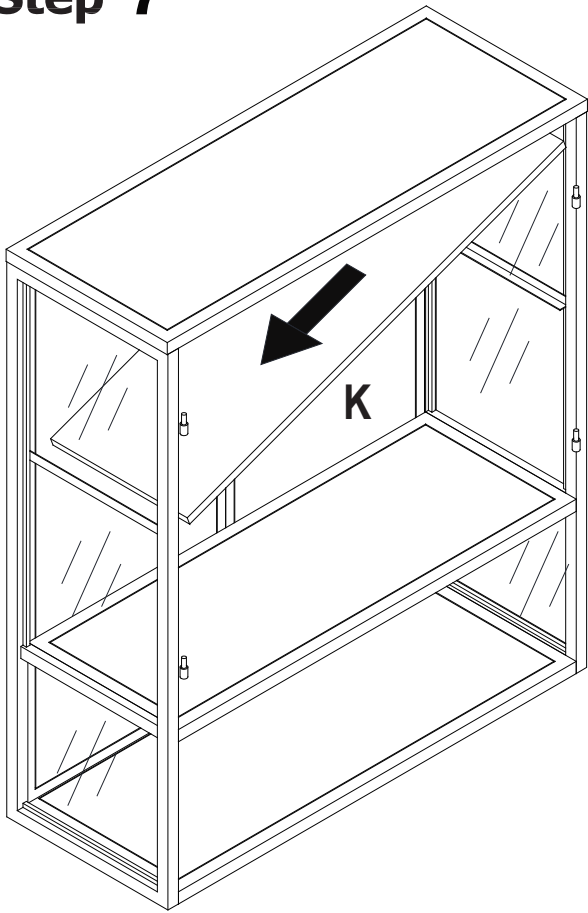
B X 5 PCS

Step 6

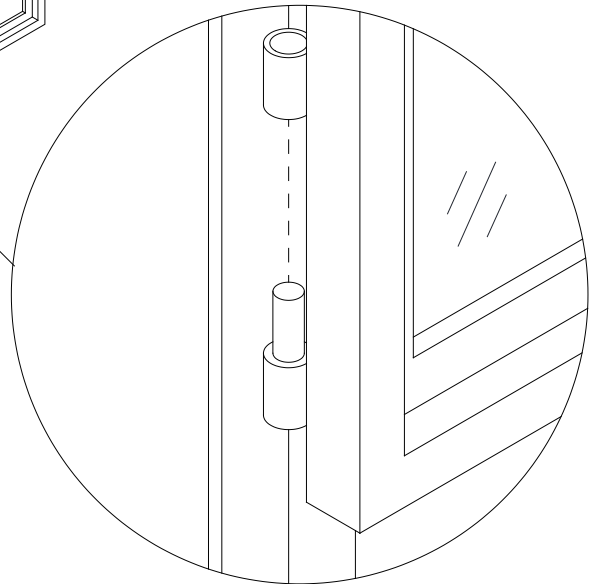
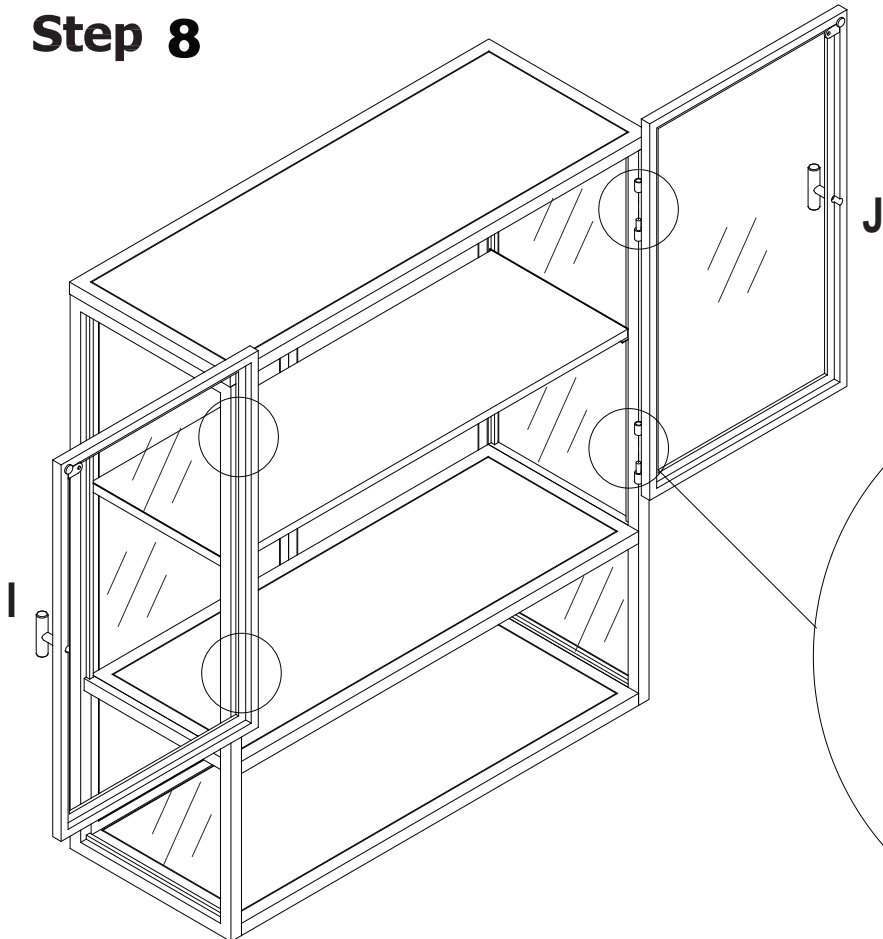


B X 5 PCS

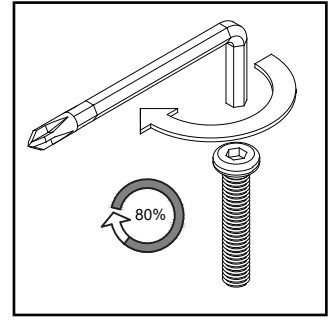
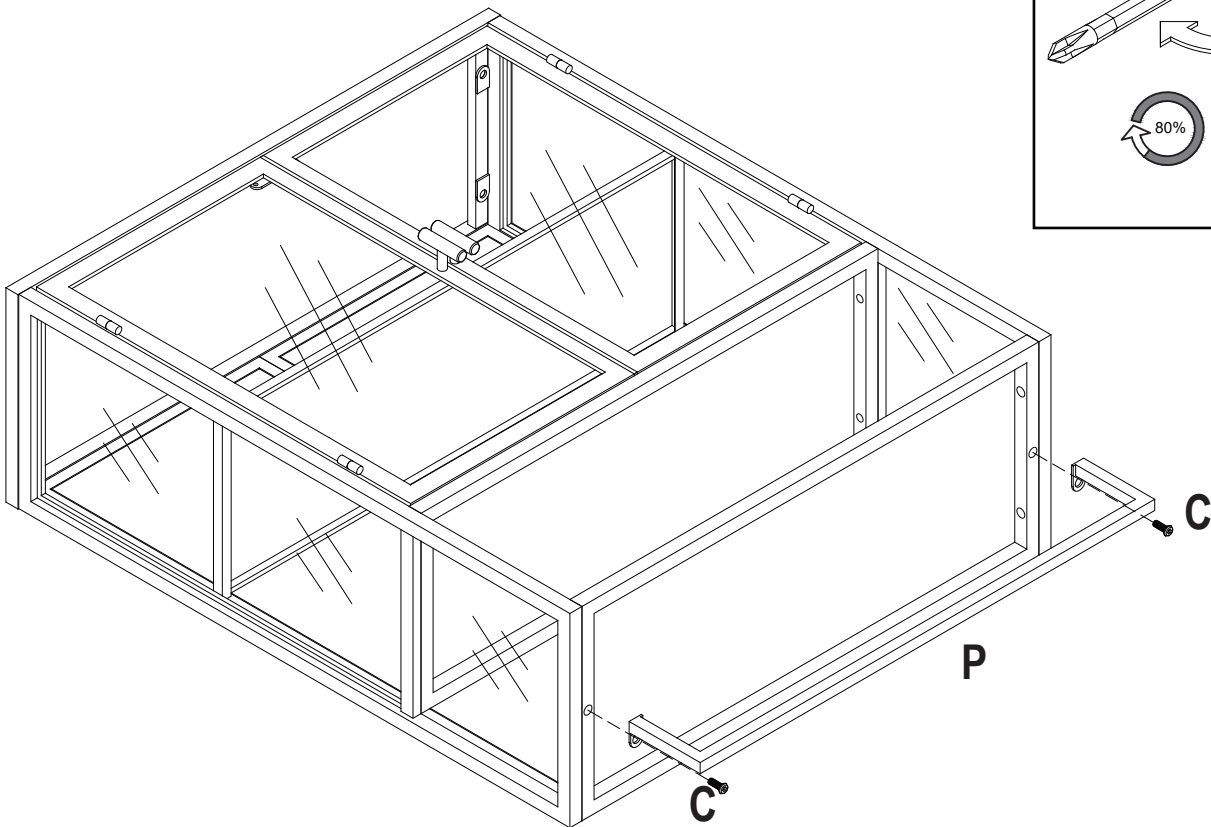
Step 7



Step 8

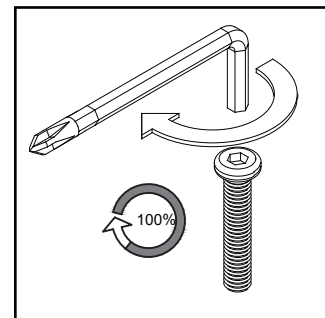
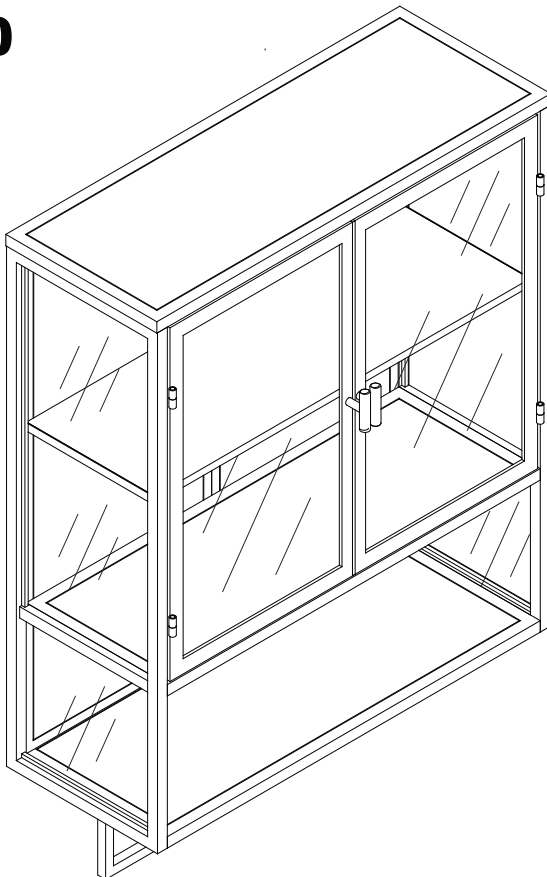


Step 9



C X 2 PCS

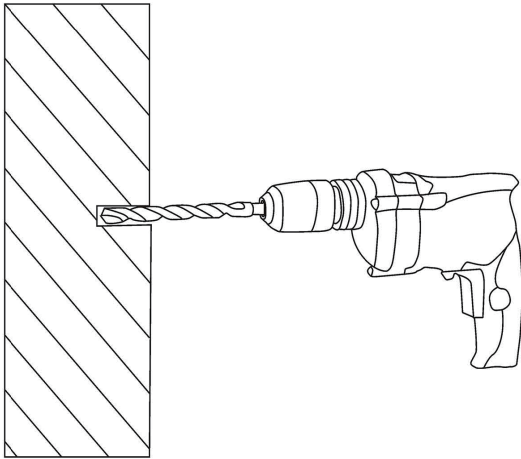
Step 10



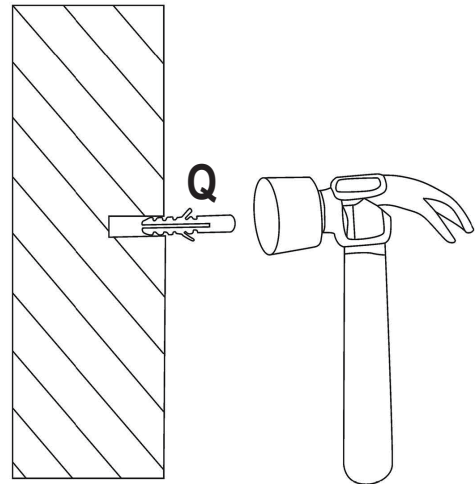
NOTE:AFTER ASSEMBLY,PLEASE MAKE SURE THAT ALL SCREWS ARE 100% LOCKED

Step 11

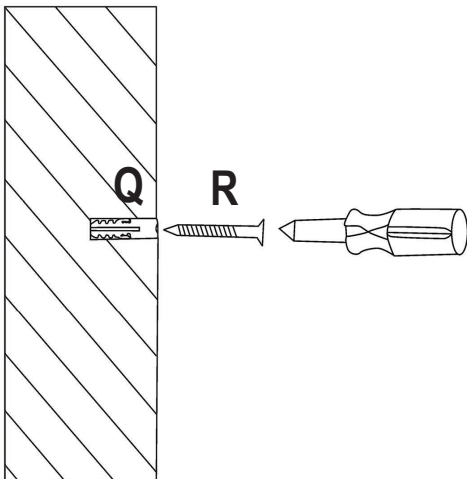
①



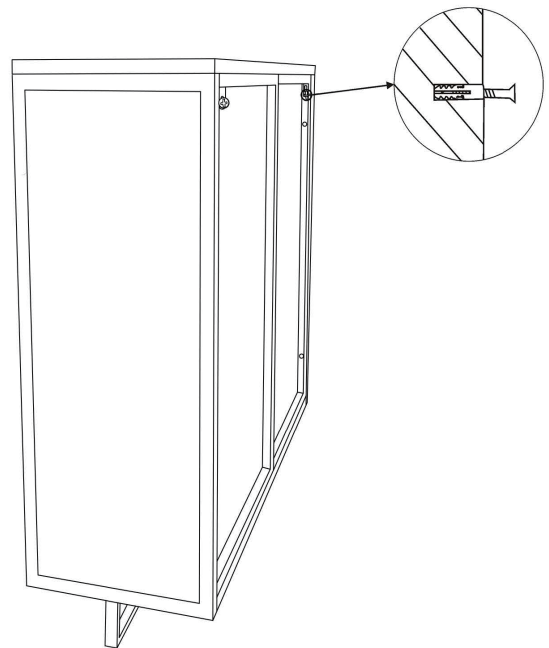
②



③



④



Q X 2 PCS

R X 2 PCS