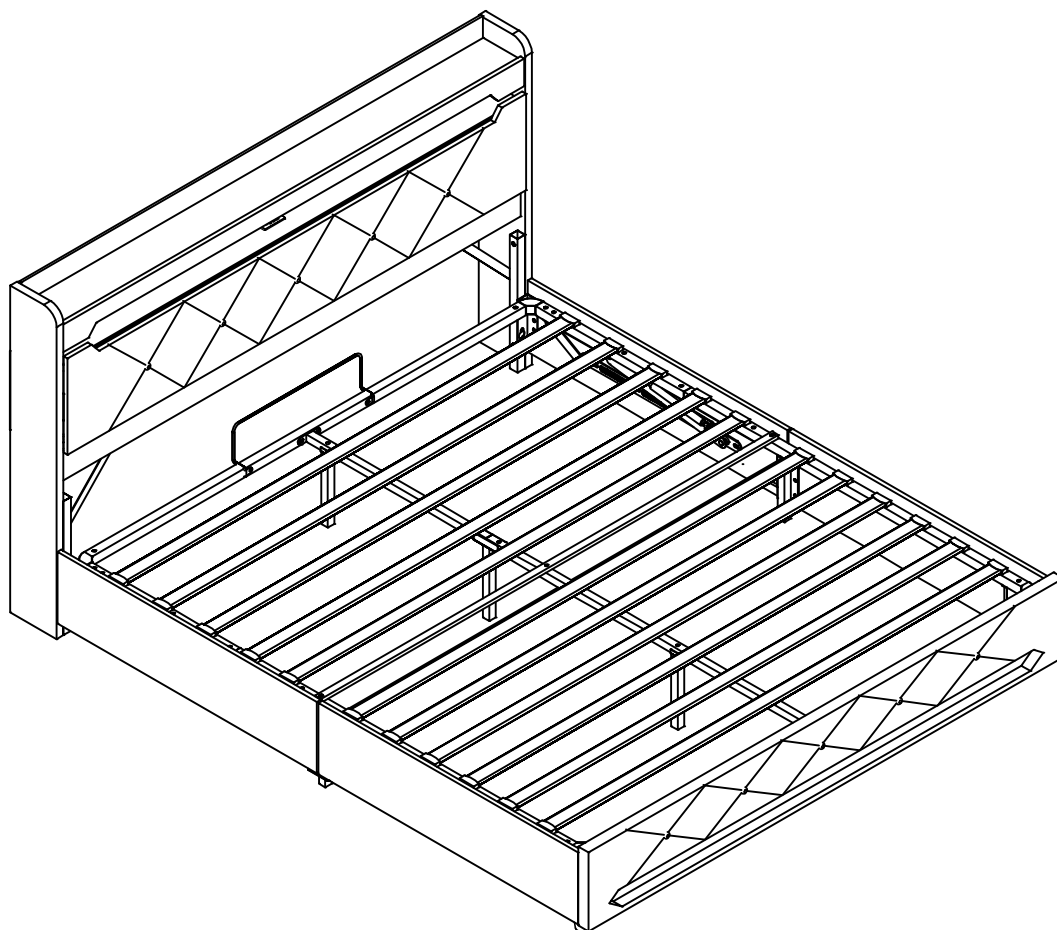


# Montageanleitung | Instructions de montage Assembly Instructions | Instrucciones de montaje

N616P265348/N616P265349/N616P265350



**GB** This set comes in 3 boxes. If you do not receive a full set of 3 boxes, please contact our customer service.

**DE** Dieses Set wird in 3 Schachteln geliefert. Wenn Sie nicht ein komplettes Set von 3 Boxen erhalten, kontaktieren Sie bitte unseren Kundenservice.

**FR** Ce set est livré en 3 boîtes. Si vous ne recevez pas un jeu complet de 3 boîtes, veuillez contacter notre service clientèle.

## English

### IMPORTANT FOR GAS LIFT BEDS&MAINTAINANCE

- Please place the mattress on top of the bed frame.
- Please do not pull on the strap handles.
- Please press heavily to release the compressed gas.
- Periodically check all screw & fixings to ensure they are secure.
- When moving your product, carefully lift into place.
- Wipe clean with a slightly damp cloth- please do not use abrasive chemicals or bleach.
- Do NOT allow children to operate the lift mechanism.
- Do NOT allow children near the lift base when operating the mechanism.
- Do NOT stand inside the bed or the internal storage base.
- Do NOT overload the internal storage base.
- DO NOT jump on the product or any of its parts.

## Deutsch

### WICHTIG FÜR GASLIFT-BETTEN&WARTUNG

- Bitte legen Sie die Matratze oben auf den Bettrahmen.
- Bitte ziehen Sie nicht an den Gurtgriffen.
- Bitte drücken Sie kräftig, um das komprimierte Gas freizusetzen.
- Überprüfen Sie regelmäßig alle Schrauben und Befestigungen, um sicherzustellen, dass sie sicher sind.
- Wenn Sie Ihr Produkt bewegen, heben Sie es vorsichtig an seinen Platz.
- Mit einem leicht feuchten Tuch abwischen - bitte keine scheuernden Chemikalien oder Bleichmittel verwenden.
- Erlauben Sie Kindern NICHT, den Hebemechanismus zu bedienen.
- Lassen Sie Kinder NICHT in die Nähe des Liftsockels, wenn Sie den Mechanismus bedienen.
- Stellen Sie sich NICHT in das Bett oder in die Innenablage.
- Überlasten Sie den internen Liftsockel NICHT.
- Springen Sie NICHT auf das Produkt oder eines seiner Teile.

## Français

### IMPORTANT POUR LES LITS À RELEVAGE DE GAZ&MAINTENANCE

- Veuillez placer le matelas sur le dessus du cadre de lit.
- Ne tirez pas sur les poignées de la sangle.
- Appuyez fortement pour libérer le gaz comprimé.
- Vérifiez régulièrement que toutes les vis et fixations sont bien en place.
- Lorsque vous déplacez votre produit, soulevez-le avec précaution pour le mettre en place.
- Nettoyez avec un chiffon légèrement humide - n'utilisez pas de produits chimiques abrasifs ou d'eau de Javel.
- Ne laissez pas les enfants utiliser le mécanisme de levage.
- Ne laissez pas les enfants s'approcher de la base de levage lorsqu'ils actionnent le mécanisme.
- Ne vous tenez PAS à l'intérieur du lit ou de la base de stockage interne.
- Ne surchargez pas la base de stockage interne.
- Ne pas sauter sur le produit ou l'une de ses parties.

## Italiano

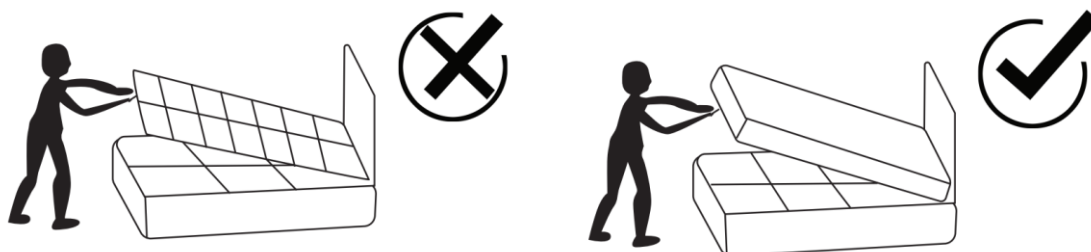
### IMPORTANTE PER I LETTI CON SOLLEVAMENTO A GAS E LA MANUTENZIONE

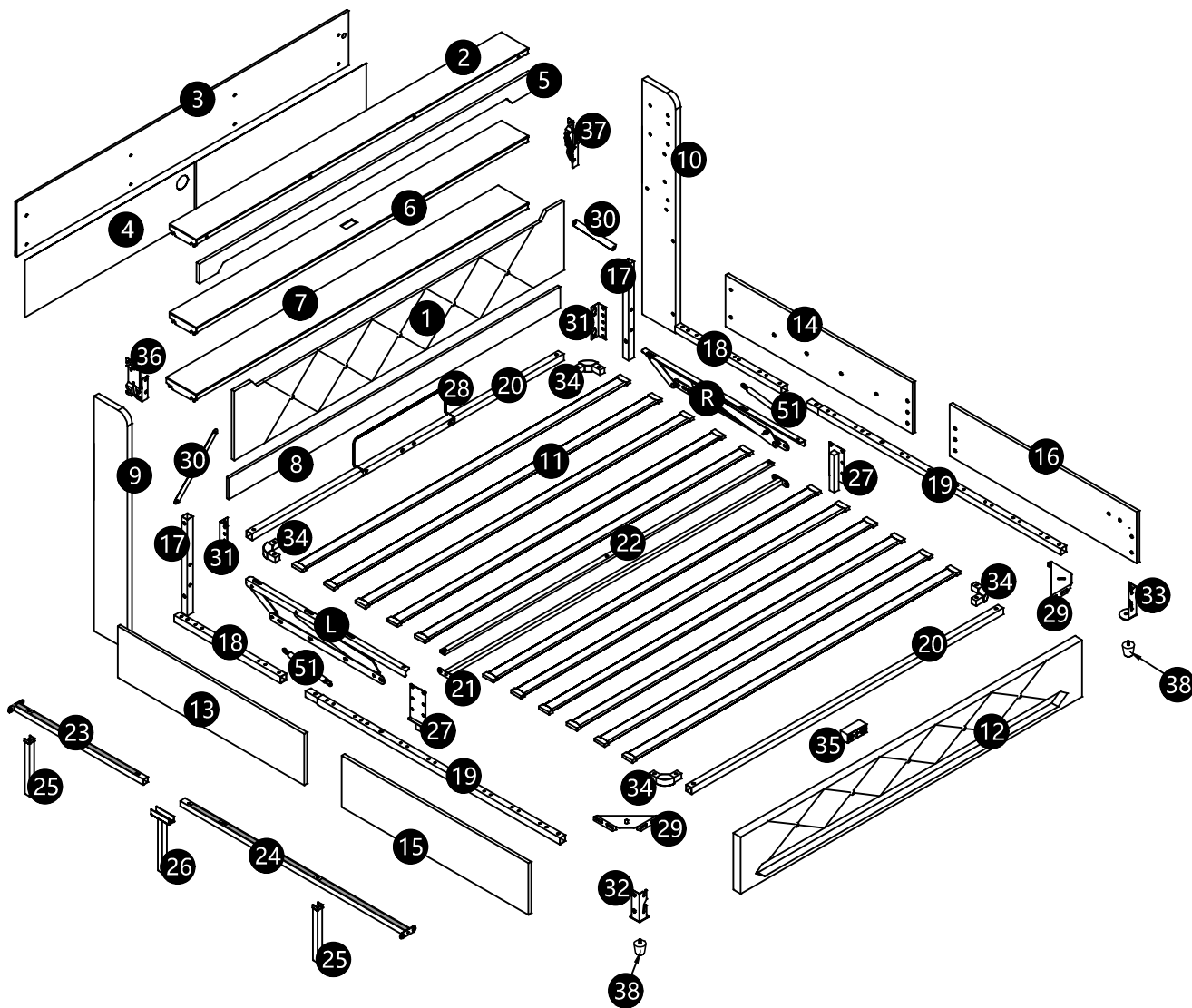
- Posizionare il materasso sopra la struttura del letto.
- Non tirare le maniglie della cinghia.
- Premere con forza per rilasciare il gas compresso.
- Controllare periodicamente tutte le viti e i fissaggi per assicurarsi che siano saldi.
- Quando si sposta il prodotto, sollevarlo con cautela.
- Pulire con un panno leggermente umido, senza usare prodotti chimici abrasivi o candeggina.
- NON permettere ai bambini di azionare il meccanismo di sollevamento.
- NON permettere ai bambini di avvicinarsi alla base di sollevamento quando si aziona il meccanismo.
- NON sostare all'interno del letto o della base di contenimento interna.
- NON sovraccaricare la base di contenimento interna.
- NON saltare sul prodotto o sulle sue parti.

## Español

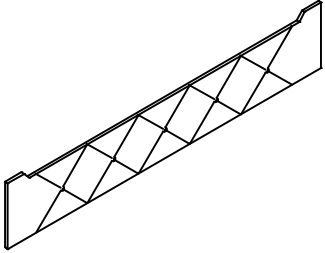
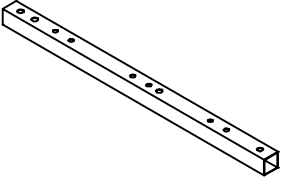
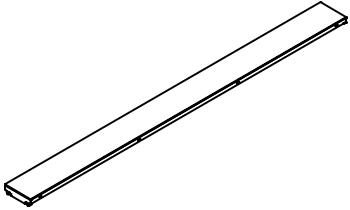
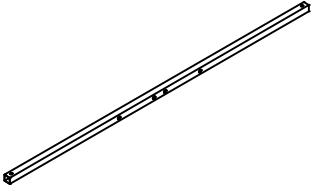
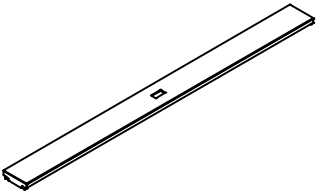
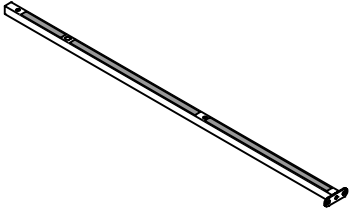
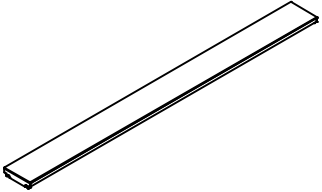
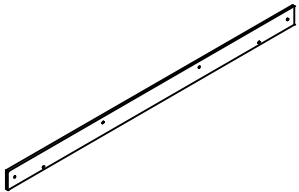
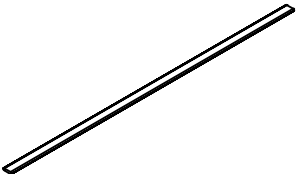
### IMPORTANTE PARA LAS CAMAS ELEVADORAS DE GAS&MANTENIMIENTO

- Coloque el colchón sobre el somier.
- No tire de las asas de la correa.
- Presione con fuerza para liberar el gas comprimido.
- Compruebe periódicamente que todos los tornillos y fijaciones estén bien sujetos.
- Al mover el producto, levántelo con cuidado para colocarlo en su sitio.
- Limpie con un paño ligeramente humedecido; no utilice productos químicos abrasivos ni lejía.
- NO permita que los niños accionen el mecanismo de elevación.
- NO permita que los niños se acerquen a la base elevadora cuando accionen el mecanismo.
- NO se ponga de pie dentro de la cama o de la base de almacenamiento interna.
- NO sobrecargue el somier.
- NO salte sobre el producto ni sobre ninguna de sus piezas.

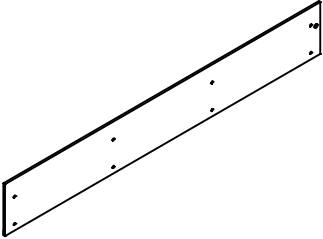
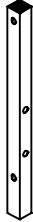
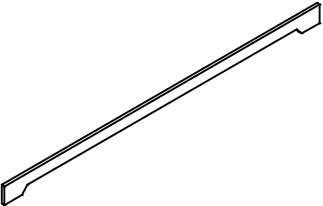
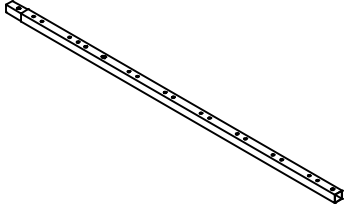
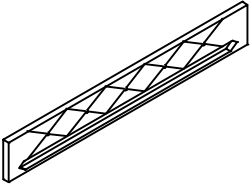
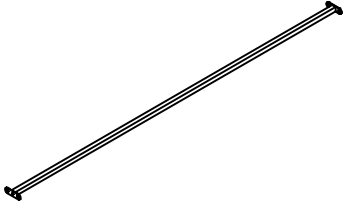
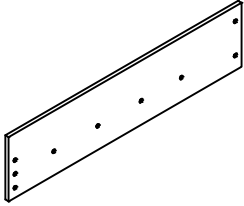
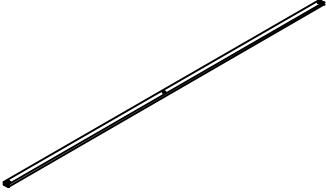
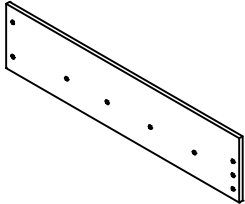
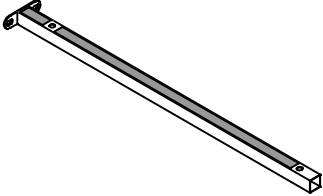
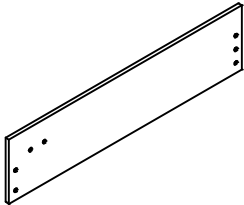
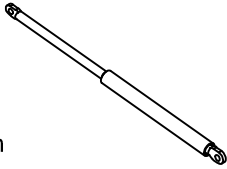




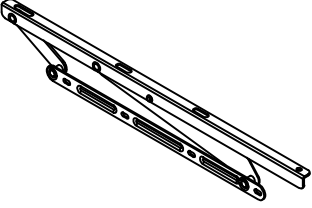
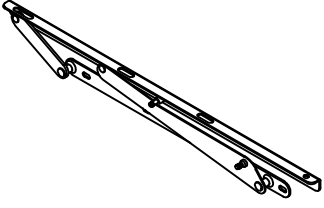
N616P265348

<p>1</p>		<p>X1</p>	<p>18</p>		<p>X2</p>
<p>2</p>		<p>X1</p>	<p>20</p>		<p>X2</p>
<p>6</p>		<p>X1</p>	<p>24</p>		<p>X1</p>
<p>7</p>		<p>X1</p>			
<p>8</p>		<p>X1</p>			
<p>11</p>		<p>X11</p>			

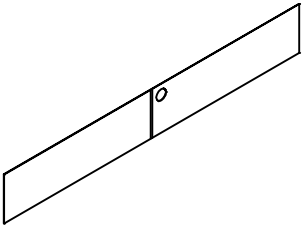
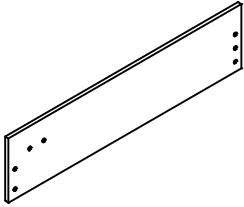



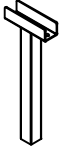
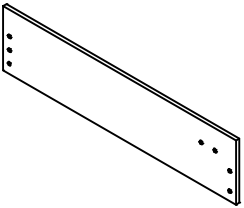

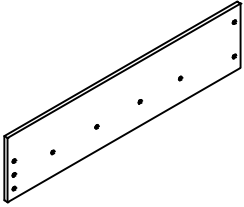
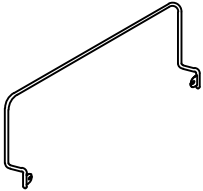
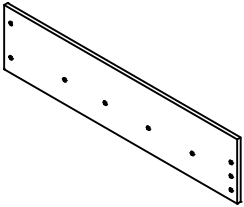
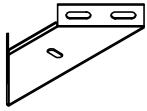
N616P265349

<p><b>3</b></p>		<p>X1</p>	<p><b>17</b></p>		<p>X2</p>
<p><b>5</b></p>		<p>X1</p>	<p><b>19</b></p>		<p>X2</p>
<p><b>12</b></p>		<p>X1</p>	<p><b>21</b></p>		<p>X1</p>
<p><b>13</b></p>		<p>X1</p>	<p><b>22</b></p>		<p>X1</p>
<p><b>14</b></p>		<p>X1</p>	<p><b>23</b></p>		<p>X1</p>
<p><b>15</b></p>		<p>X1</p>	<p><b>51</b></p>	<p>400mm 9mm 750N</p> 	<p>X2</p>


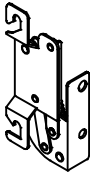
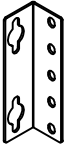




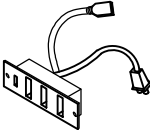
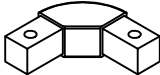
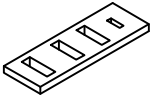
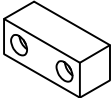

N616P265349

<b>R</b>		X1			
<b>L</b>		X1			

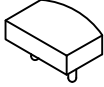
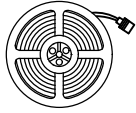
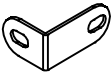



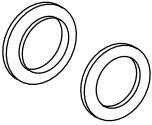
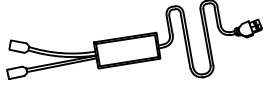
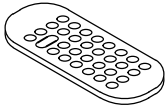
N616P265350

4		X1	15		X1
9		X1	25		X2
10		X1	26		X1
16		X1	27		X2
13		X1	28		X1
14		X1	29		X2

N616P265350


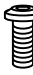

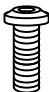

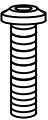


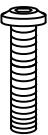


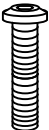
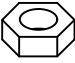
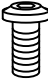


30		X2	36		X1
31		X2	37		X1
32		X1	38		X2
33		X1	39		X1
34		X4	40		X1
35		X1	41		X1

N616P265350

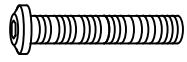
<p><b>42</b></p>		<p>X22</p>	<p><b>48</b></p>	 <p><b>Long light strip</b></p>	<p>X1</p>
<p><b>43</b></p>		<p>X4</p>	<p><b>49</b></p>	 <p><b>Strap magic tape</b></p>	<p>X8</p>
<p><b>44</b></p>		<p>X2</p>	<p><b>52</b></p>	 <p><b>Short light strip</b></p>	<p>X1</p>
<p><b>45</b></p>		<p>X1</p>			
<p><b>46</b></p>	 <p><b>Power cord</b></p>	<p>X1</p>			
<p><b>47</b></p>	 <p><b>Remote control</b></p>	<p>X1</p>			

# Hardware List-Hardware-Liste-Liste du matériel

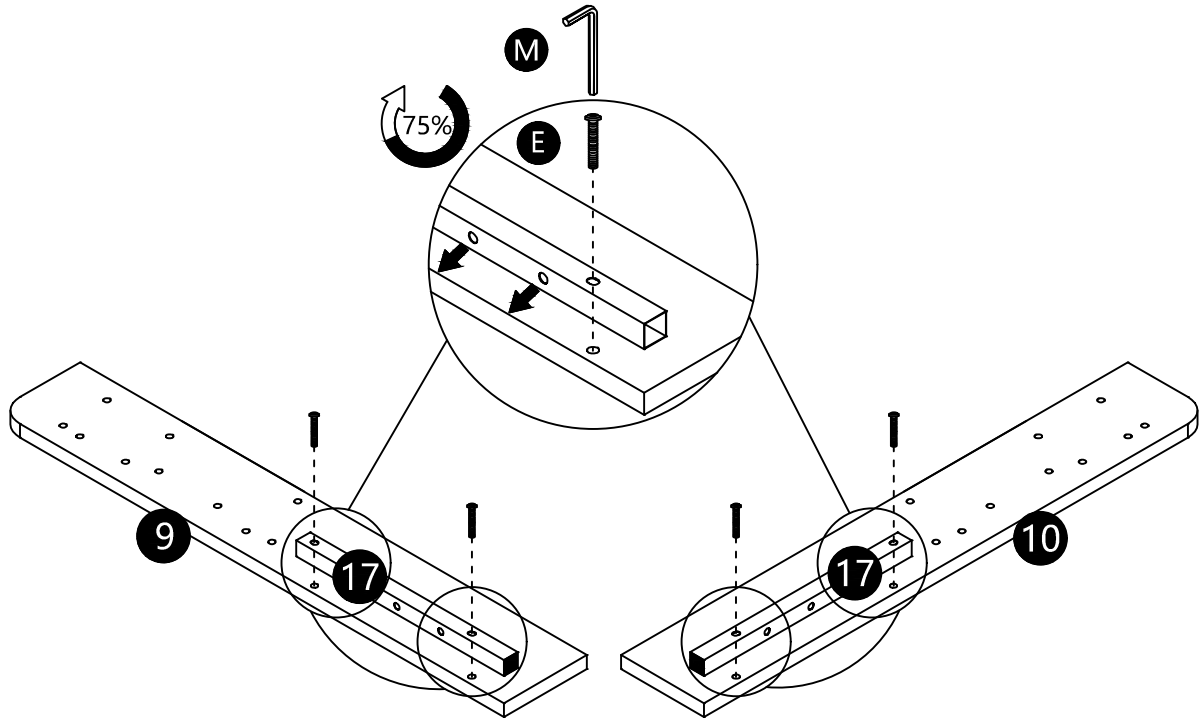
N616P265350

<b>A</b>	 M8*15	X36+4	<b>G</b>	 M6*15	X2	<b>N</b>	 M6	X1
<b>B</b>	 M8*20	X42+4	<b>H</b>	 M6*20	X12+2	<b>O</b>	 X1	X1
<b>C</b>	 M8*35	X4+1	<b>J</b>	 M3*12	X2+1	<b>P</b>	 X1	X1
<b>D</b>	 M8*40	X1+1	<b>K</b>	 M8* $\phi$ 22	X15+1	<b>Q</b>	 Silent sticker	X4+1
<b>E</b>	 M8*50	X14+1	<b>L</b>	 M8	X12+1	<b>R</b>	 M8*13	X8+1
<b>F</b>	 M6*12	X8+1	<b>M</b>	 M8	X1			

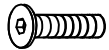
# 1



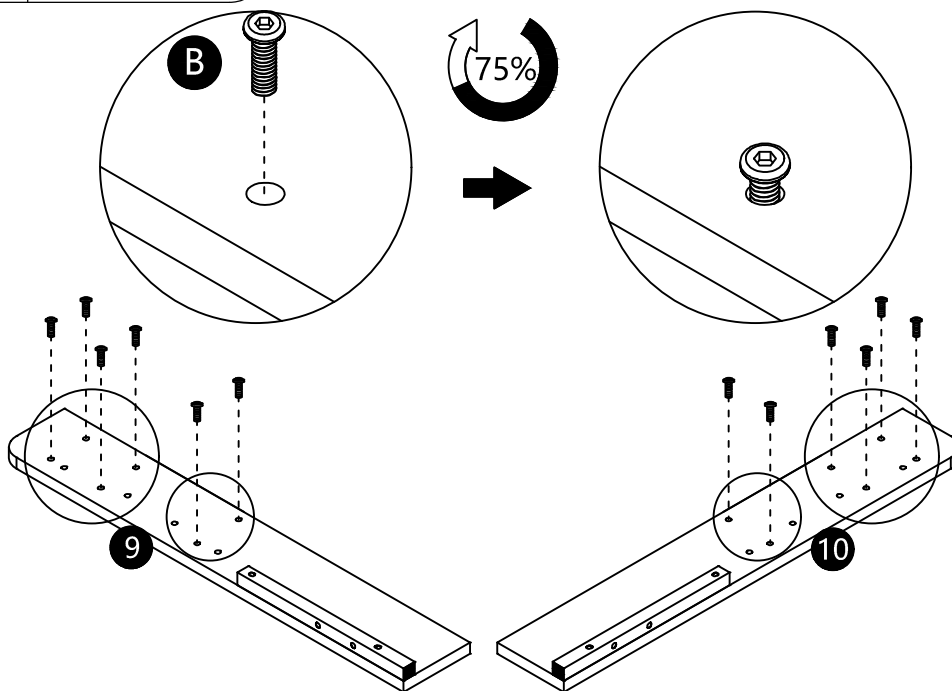
M8X50  
EX4pcs



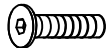
# 2



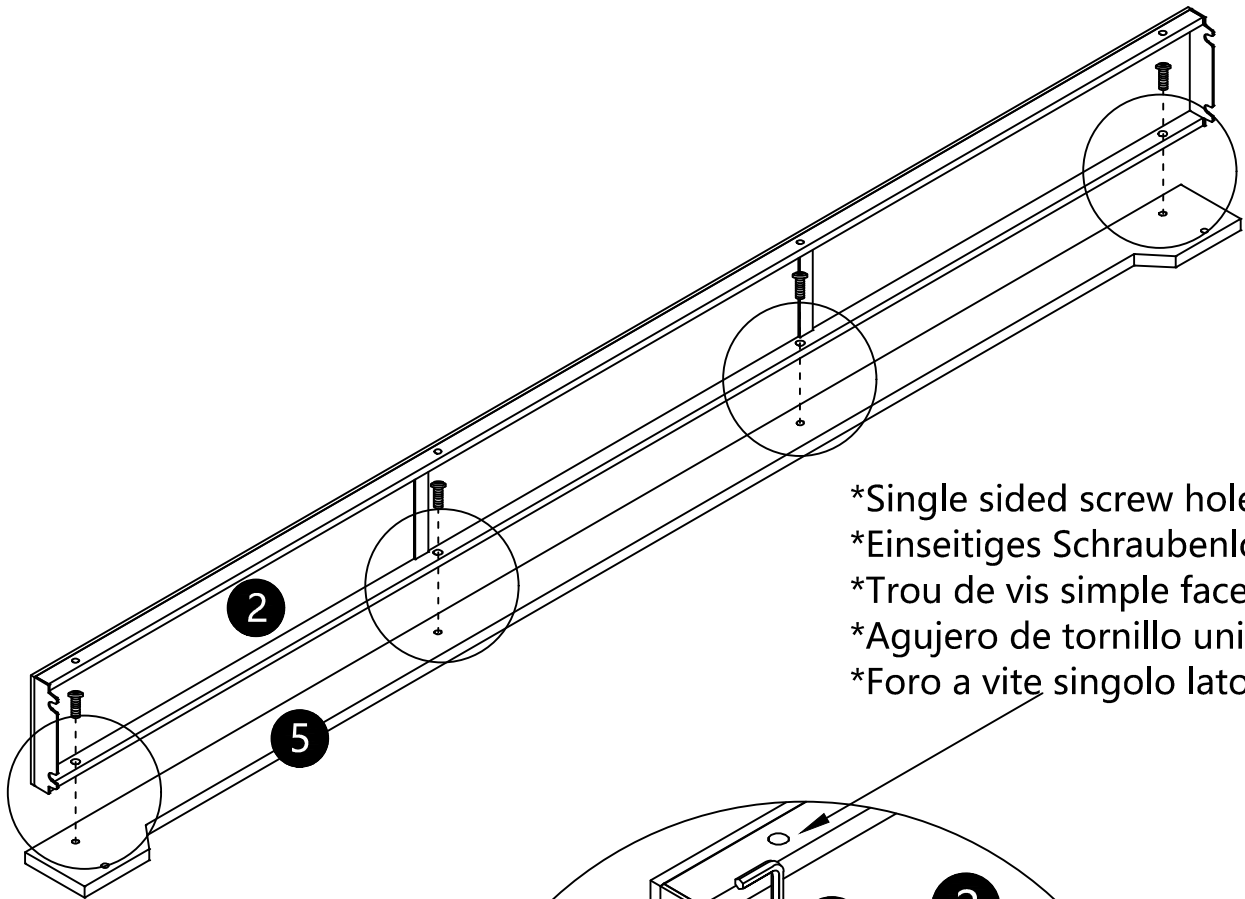
M8X20  
BX12pcs



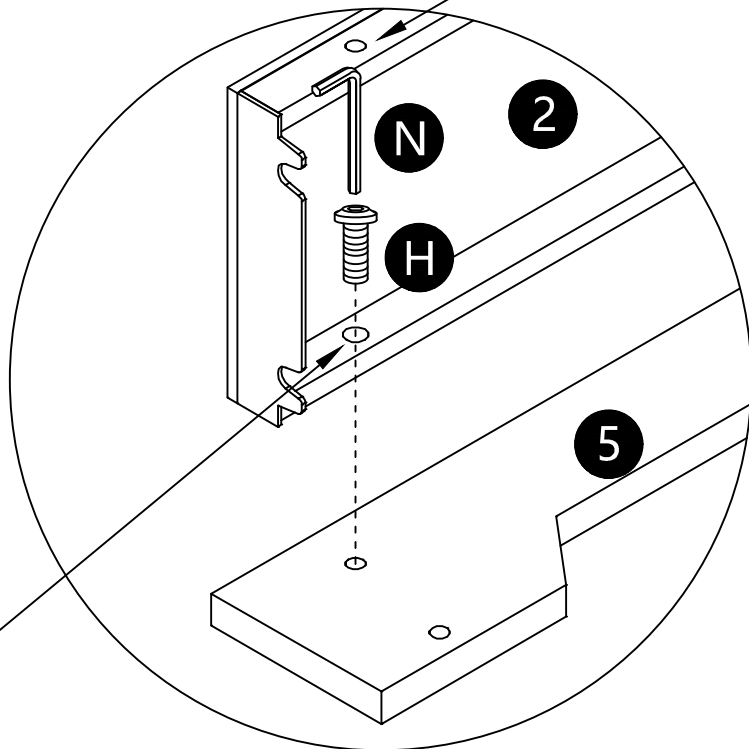
**3**



M6x20  
HX4pcs

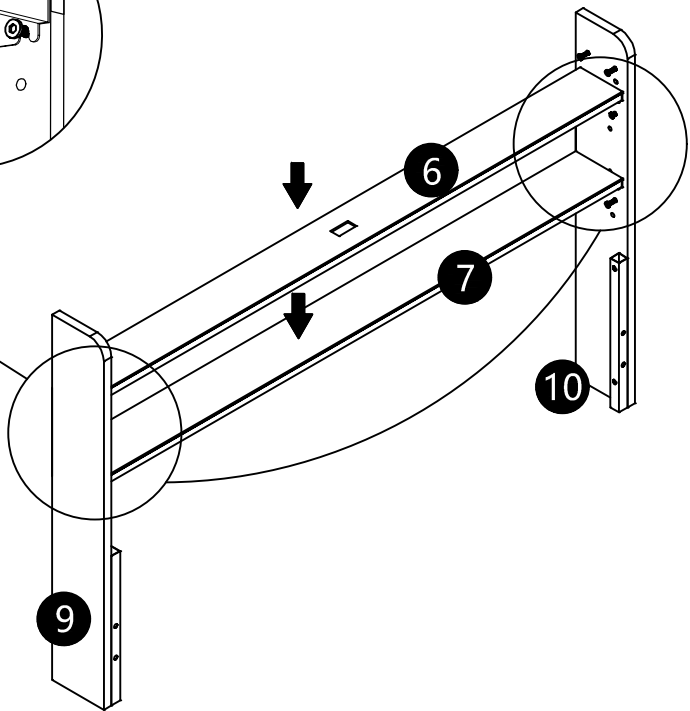
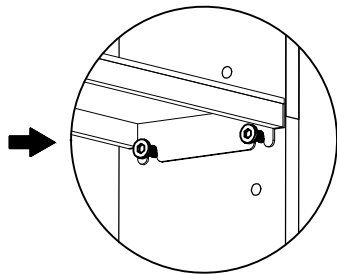
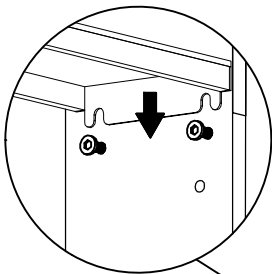
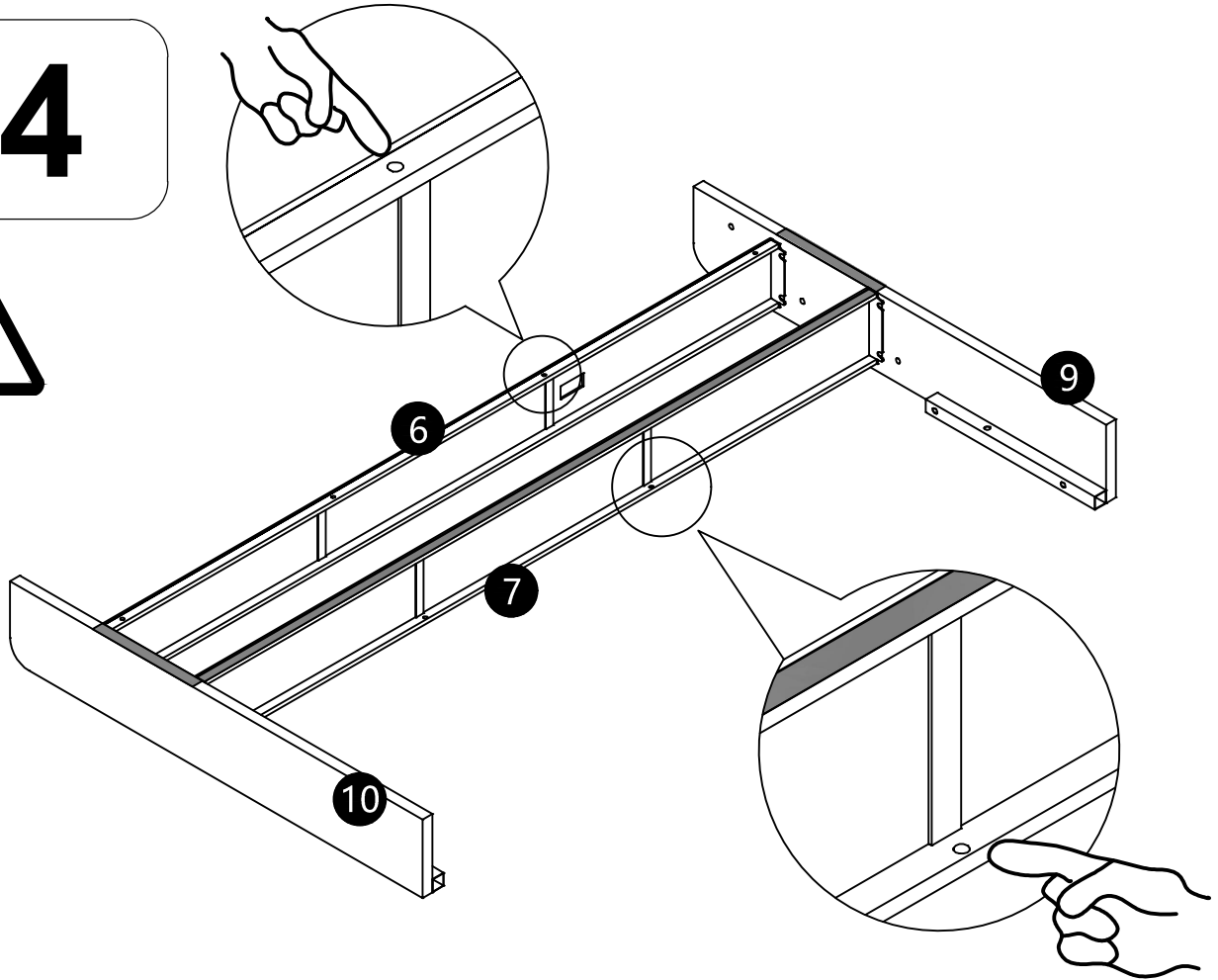


- \*Single sided screw hole
- \*Einseitiges Schraubenloch
- \*Trou de vis simple face
- \*Agujero de tornillo unilateral
- \*Foro a vite singolo lato



- \*Through-hole
- \*Durchgangsloch
- \*Le trou traversant
- \*A través del agujero
- \*foro passante

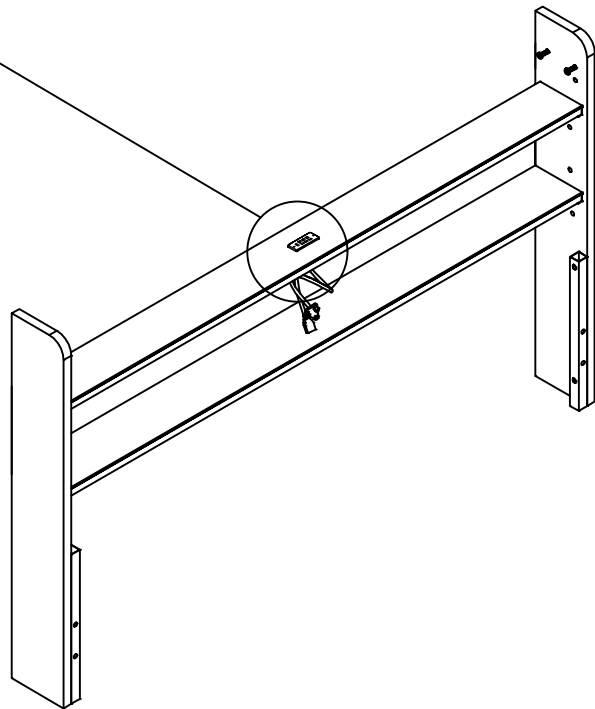
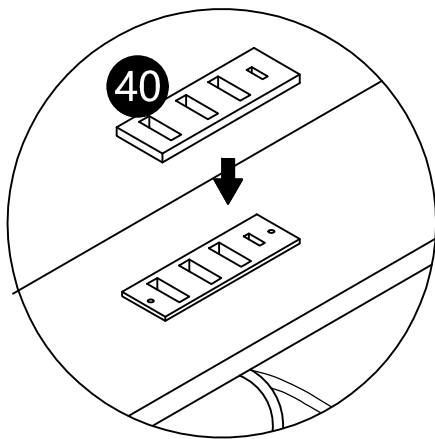
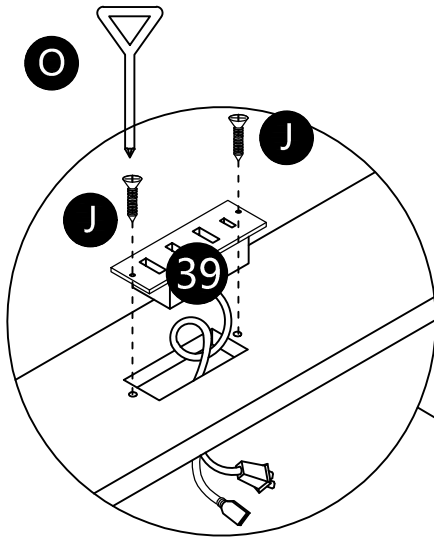
4



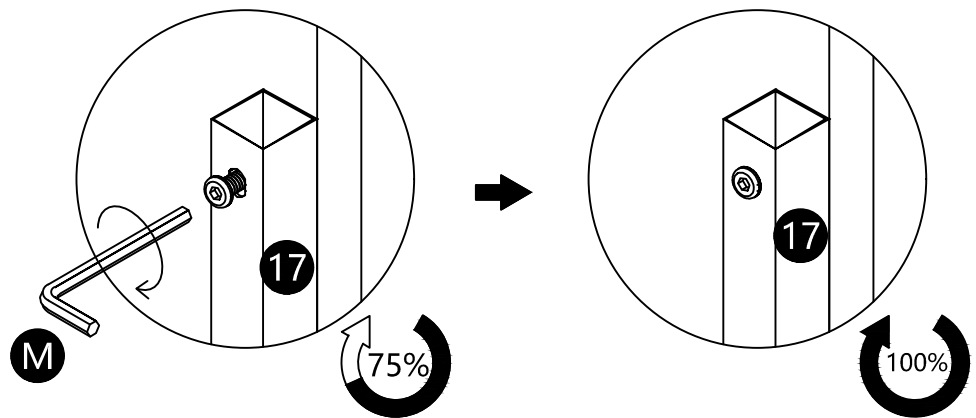
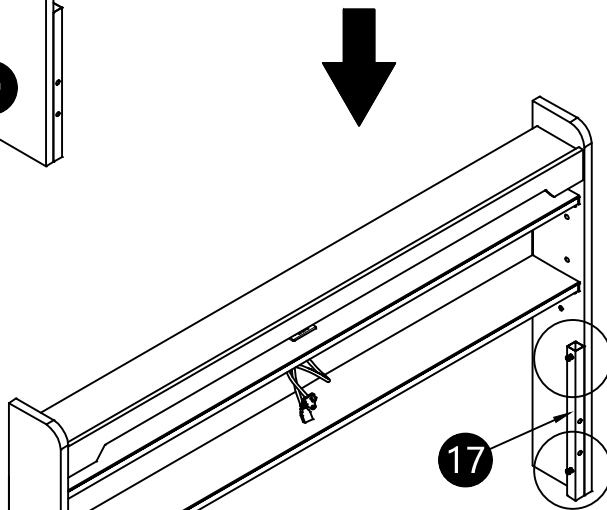
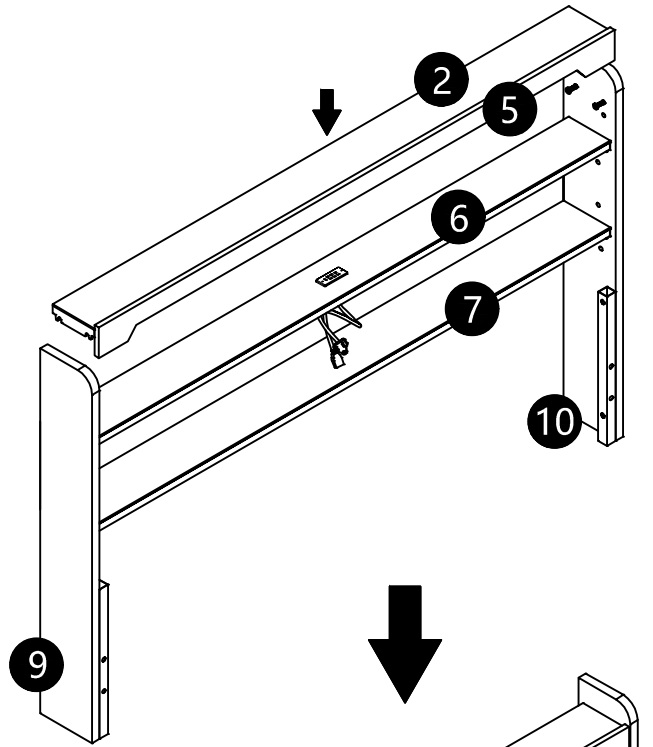
**5**



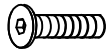
M3\*12  
JX2pcs



6



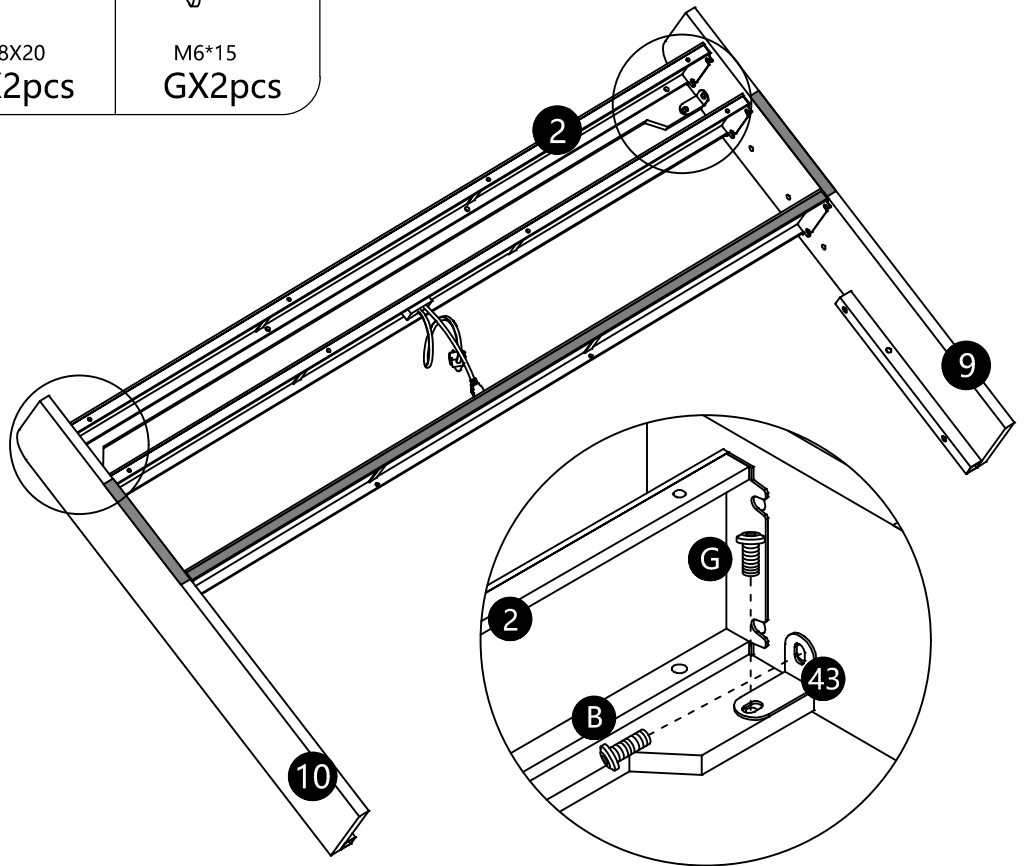
7



M8X20  
BX2pcs



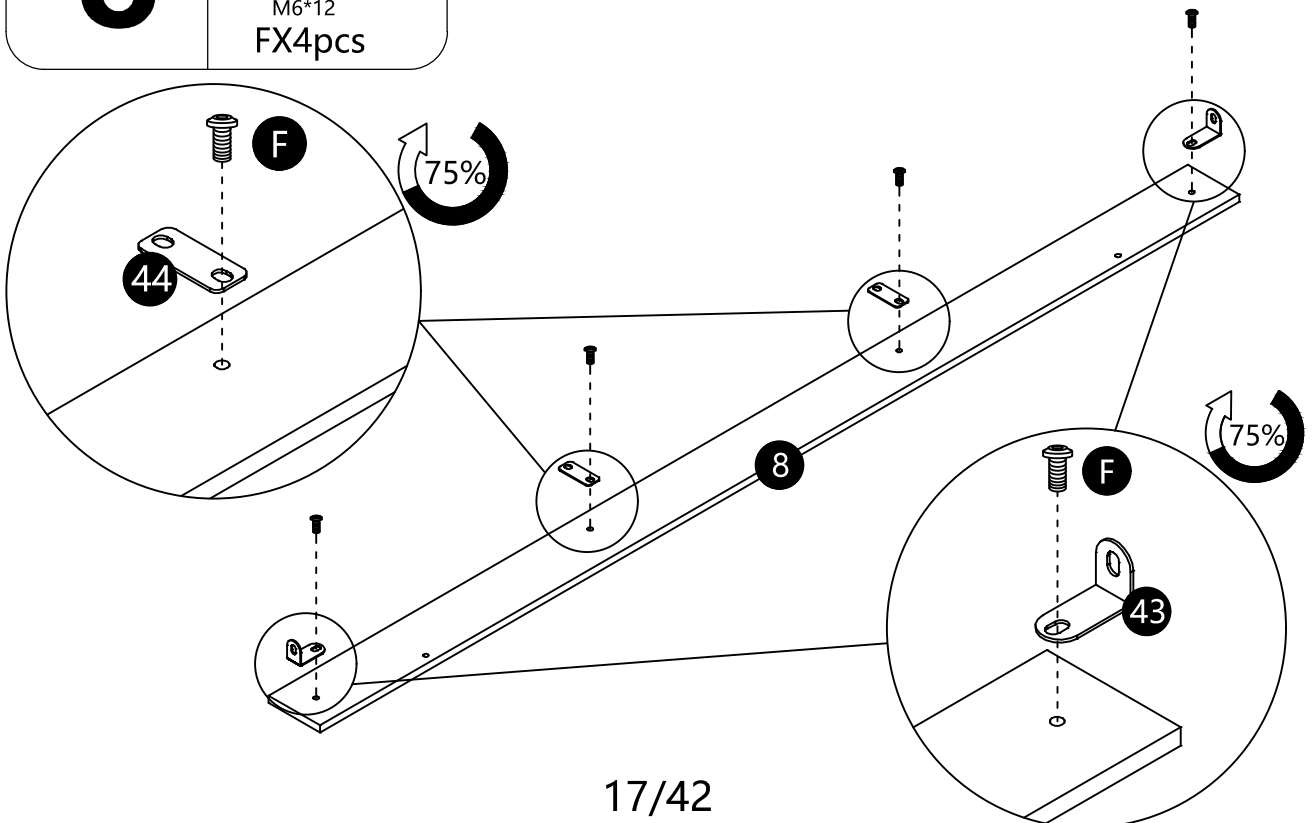
M6\*15  
GX2pcs



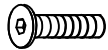
8



M6\*12  
FX4pcs



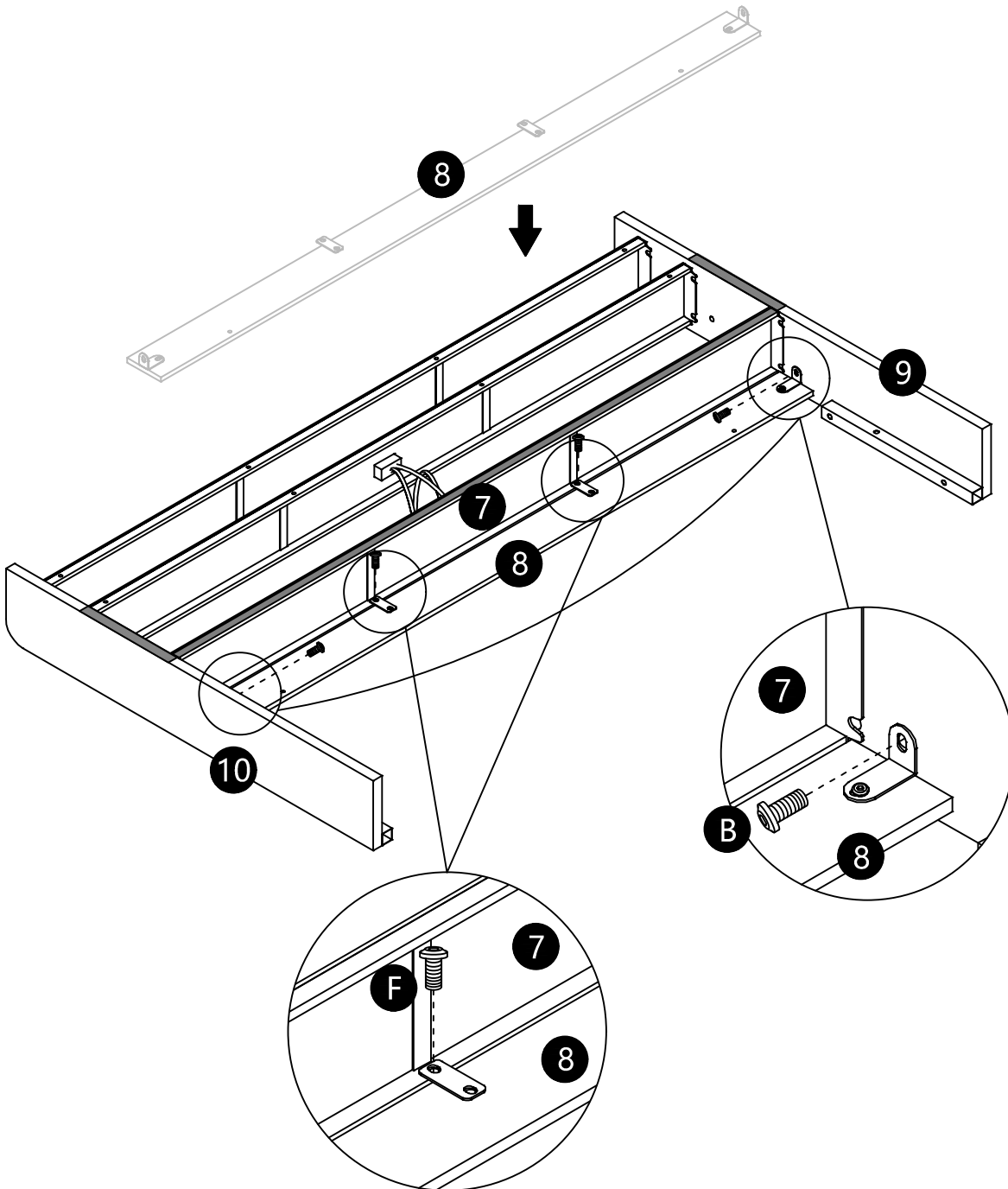
9



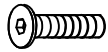
M8x20  
BX2pcs



M6x12  
FX2pcs



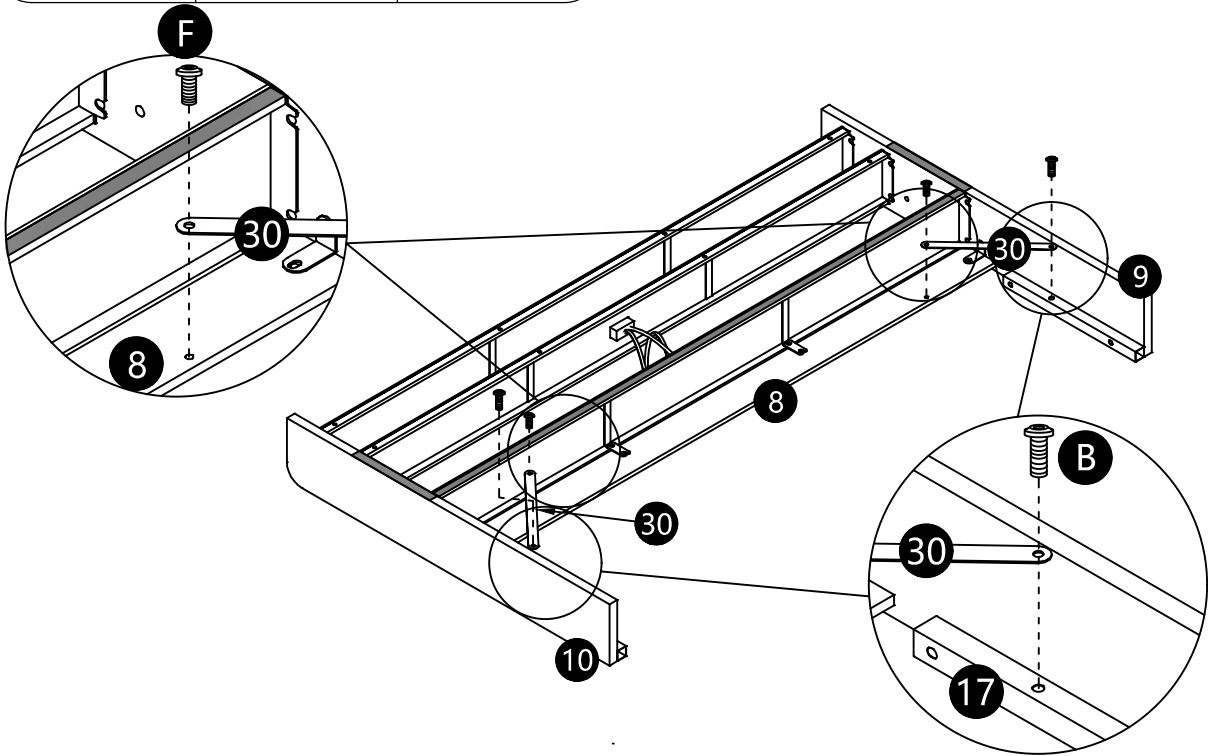
# 10



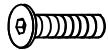
M8x20  
BX2pcs



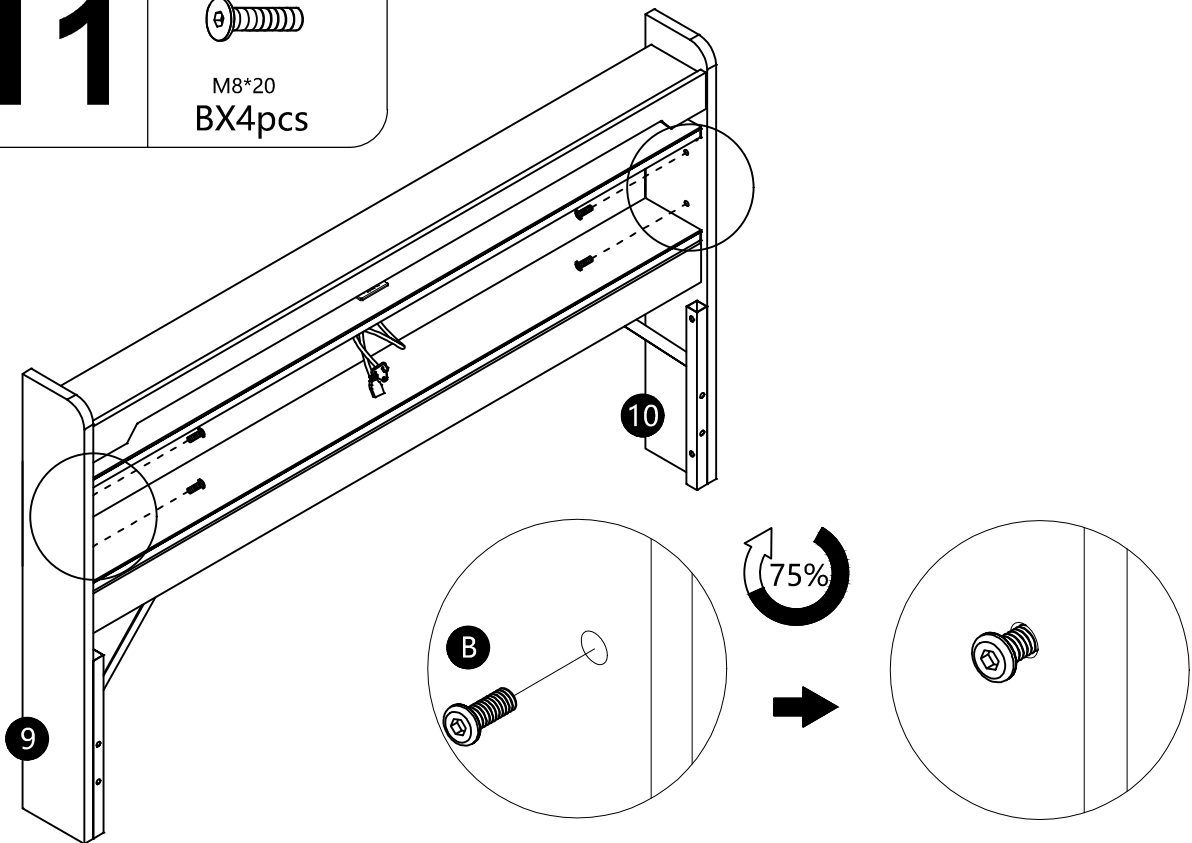
M6x12  
FX2pcs



# 11



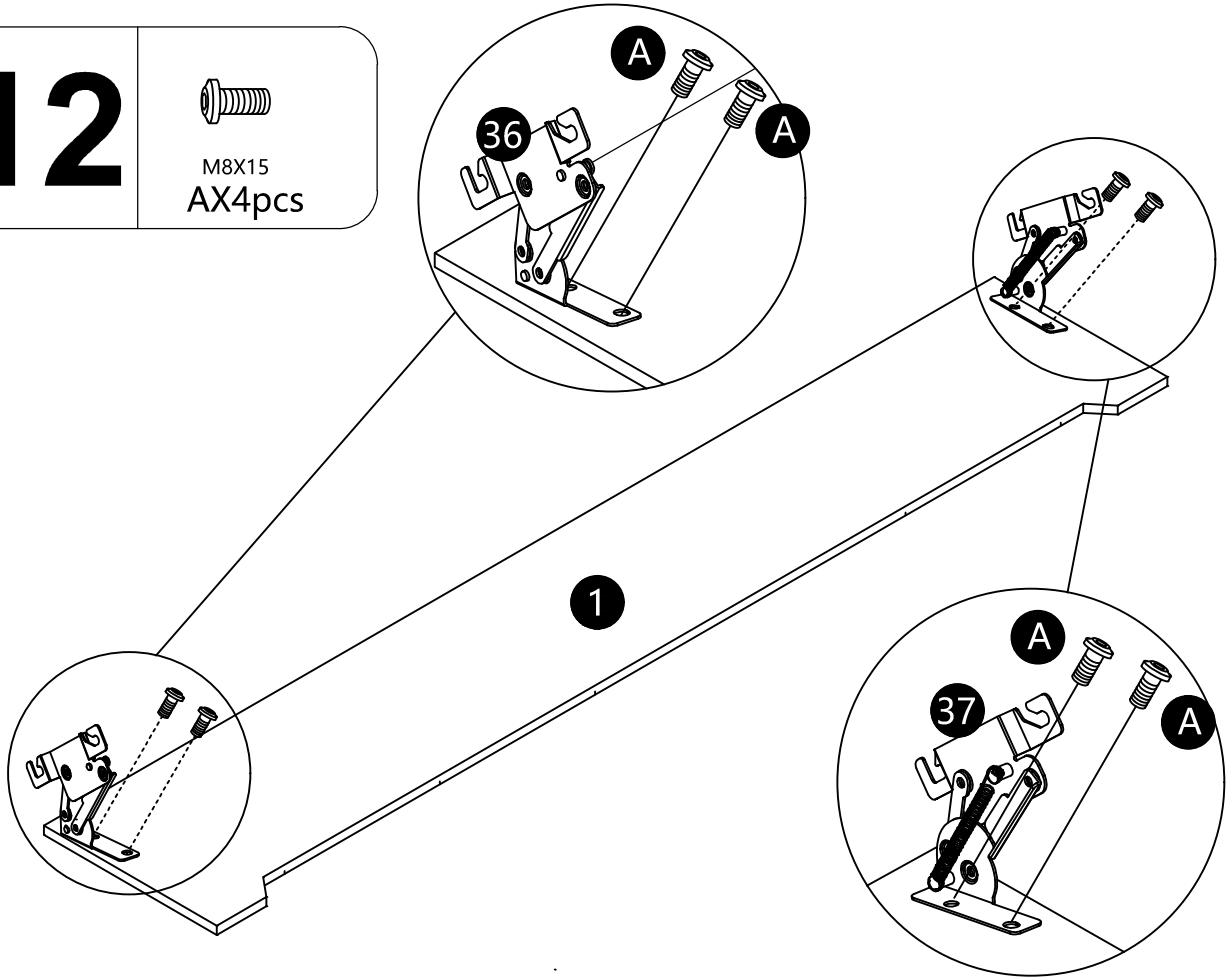
M8x20  
BX4pcs



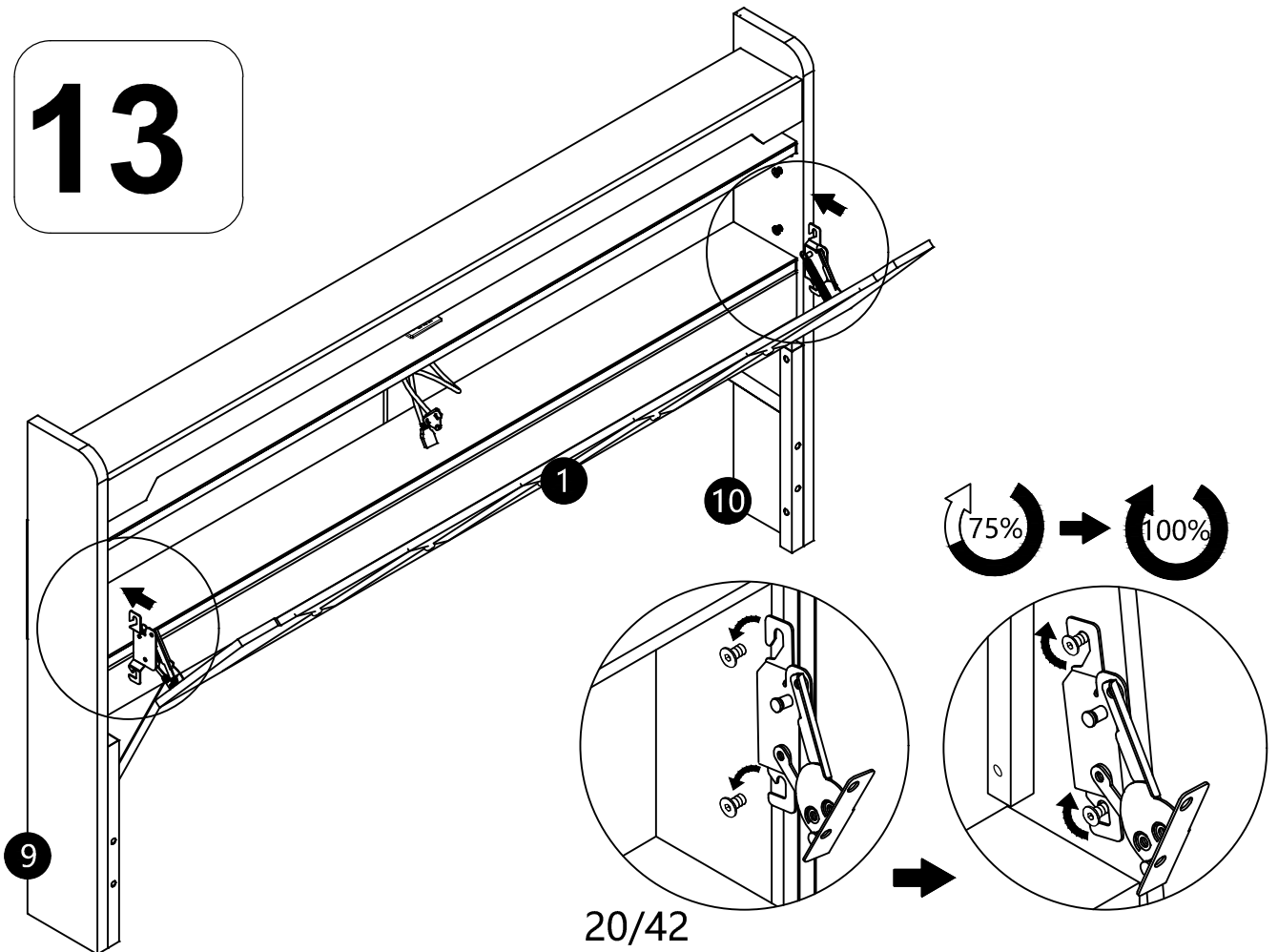
# 12



M8X15  
AX4pcs



# 13



# 14

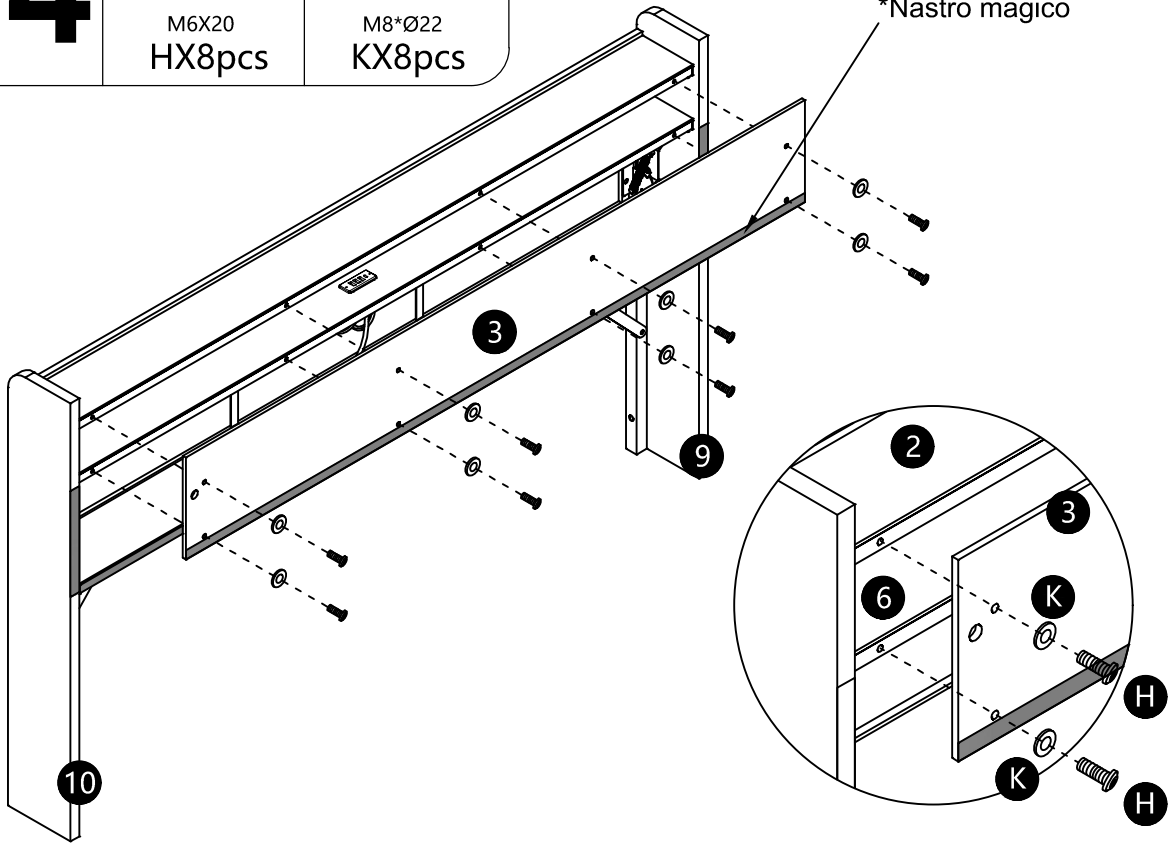


M6X20  
HX8pcs

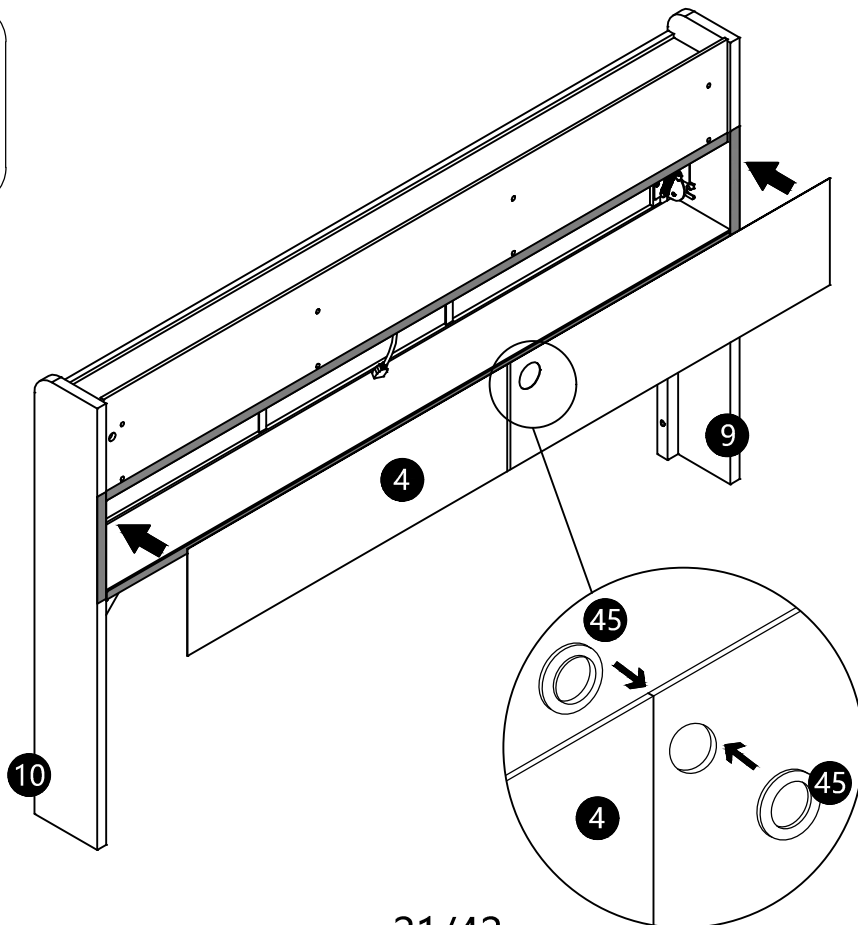


M8\*Ø22  
KX8pcs

\*Magic tape  
\*Zauberband  
\*Bande de boucle adhésive  
\*Cinta adhesiva  
\*Nastro magico



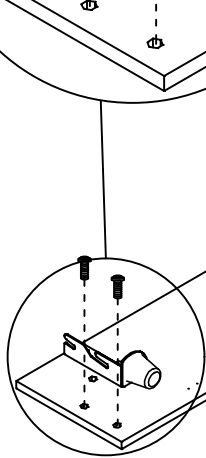
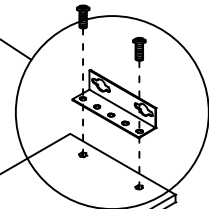
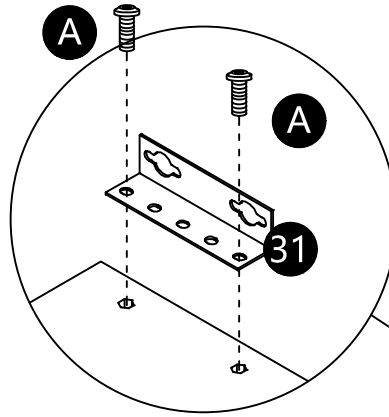
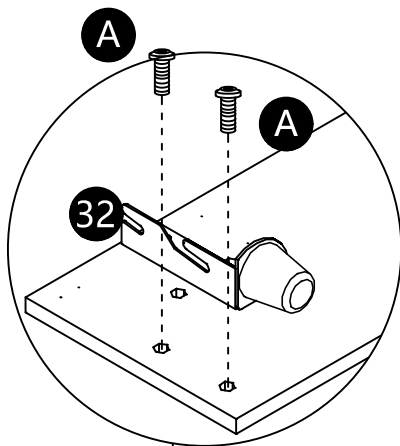
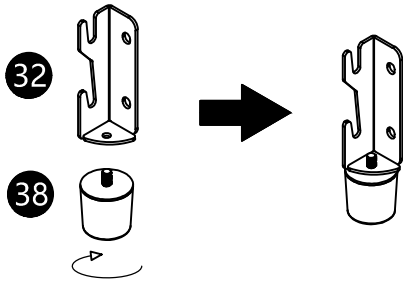
# 15



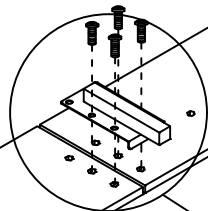
# 16



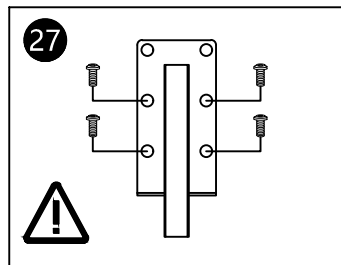
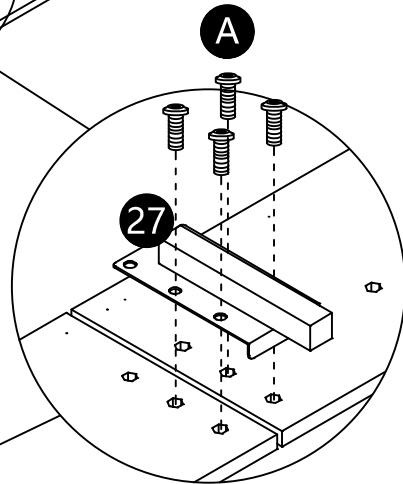
M8X15  
AX8pcs



15



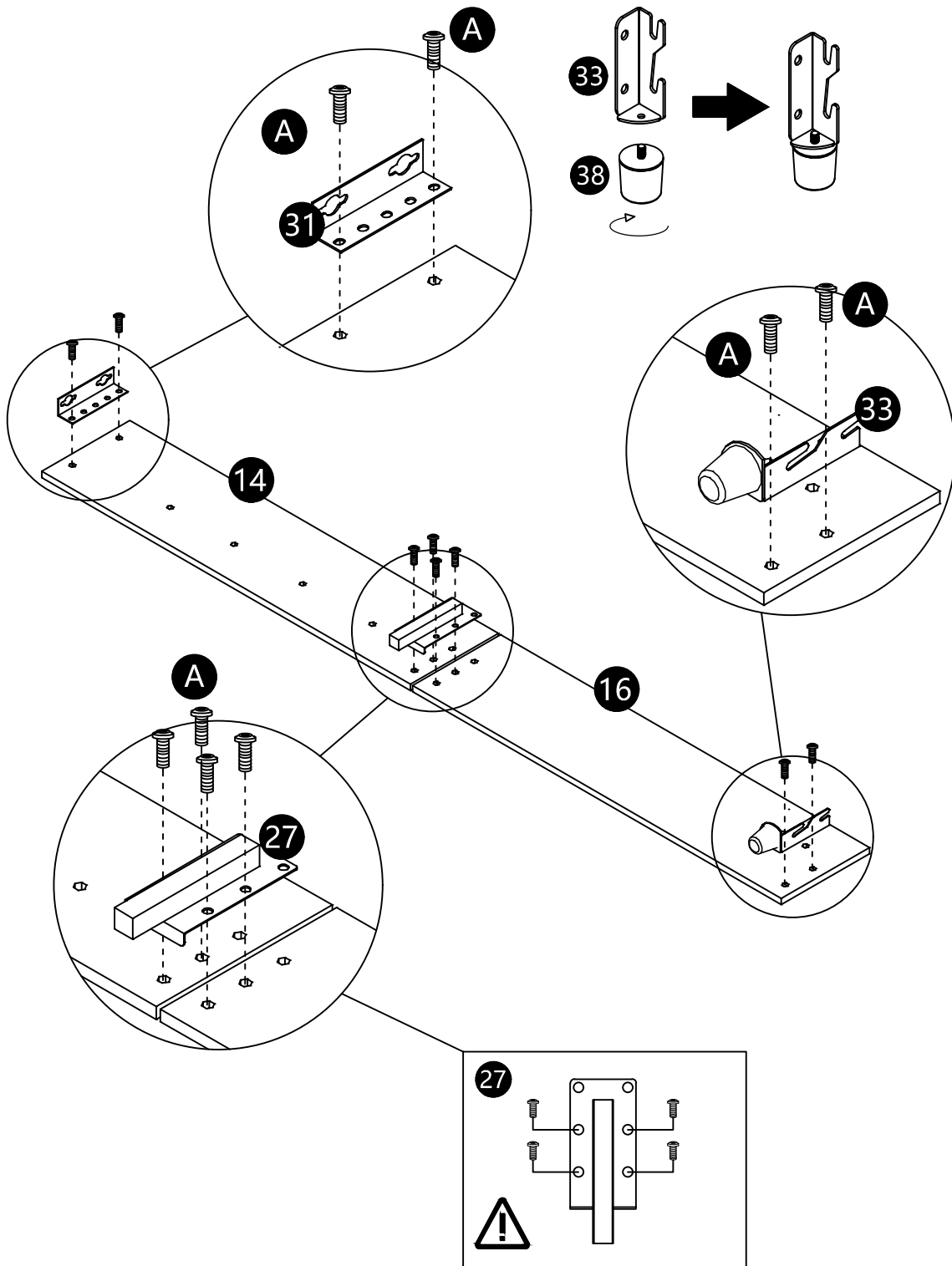
13



# 17



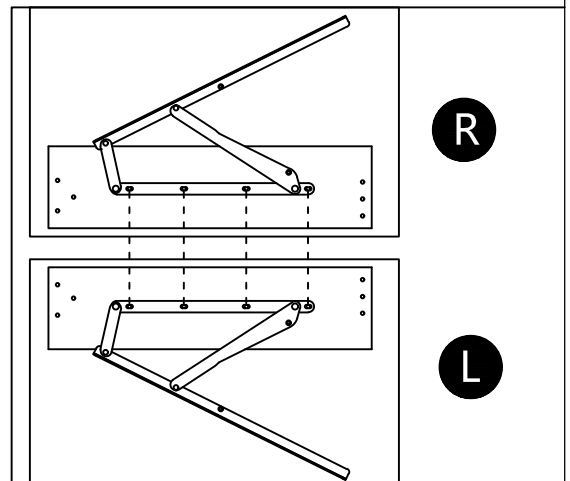
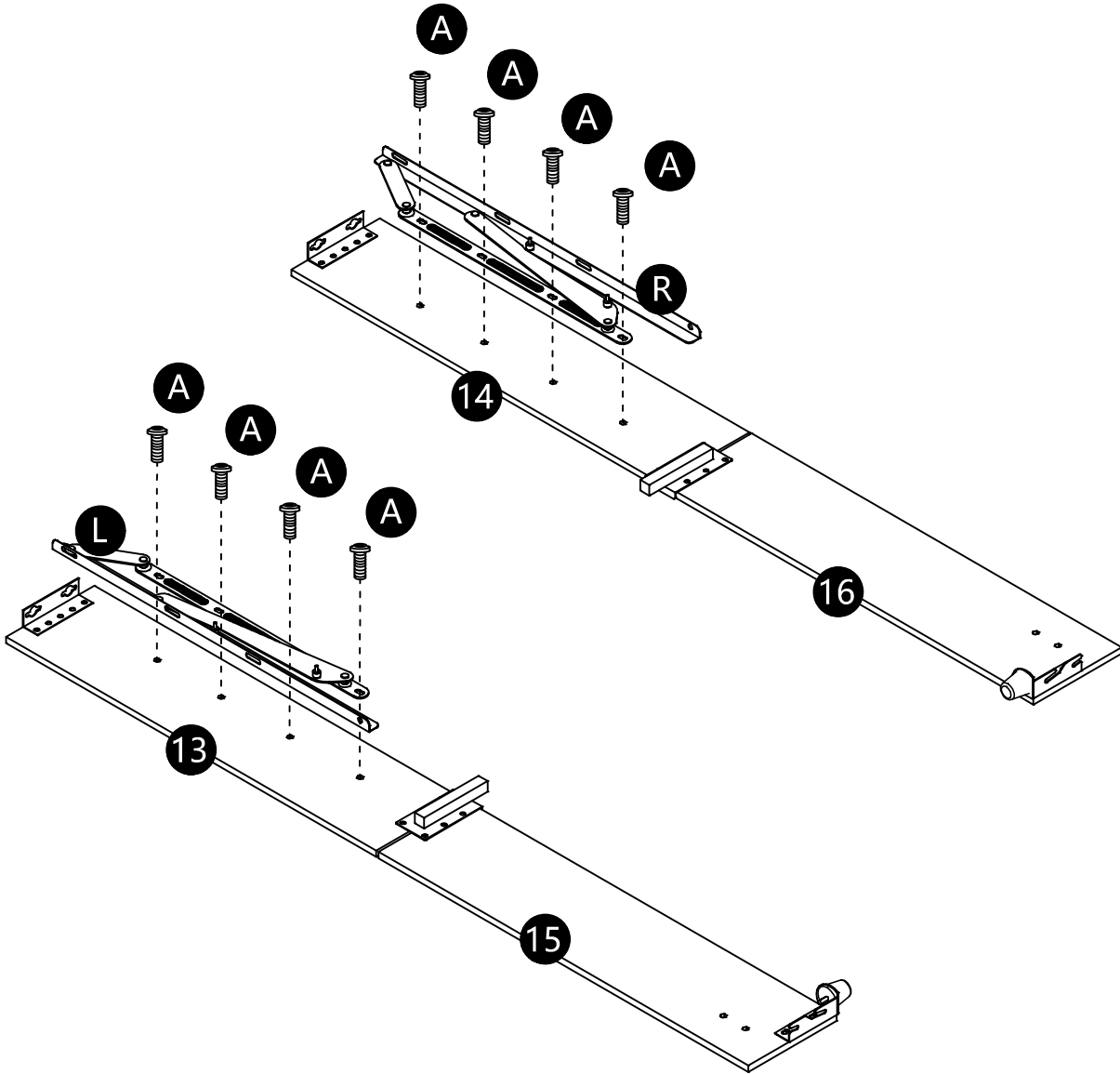
M8X15  
AX8pcs



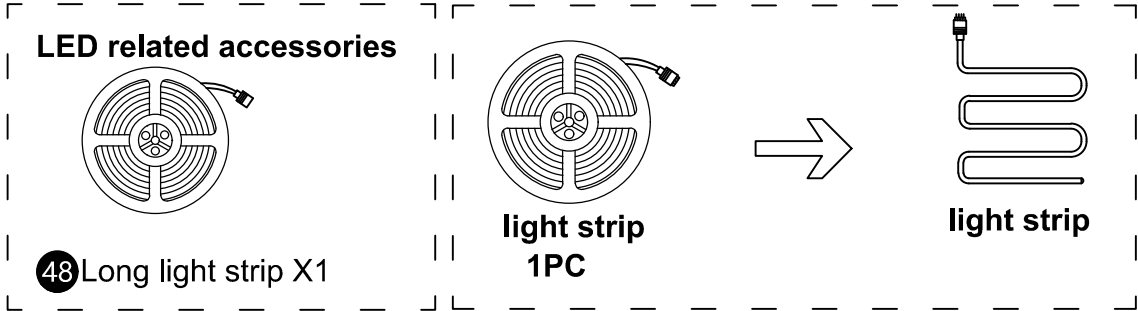
# 18



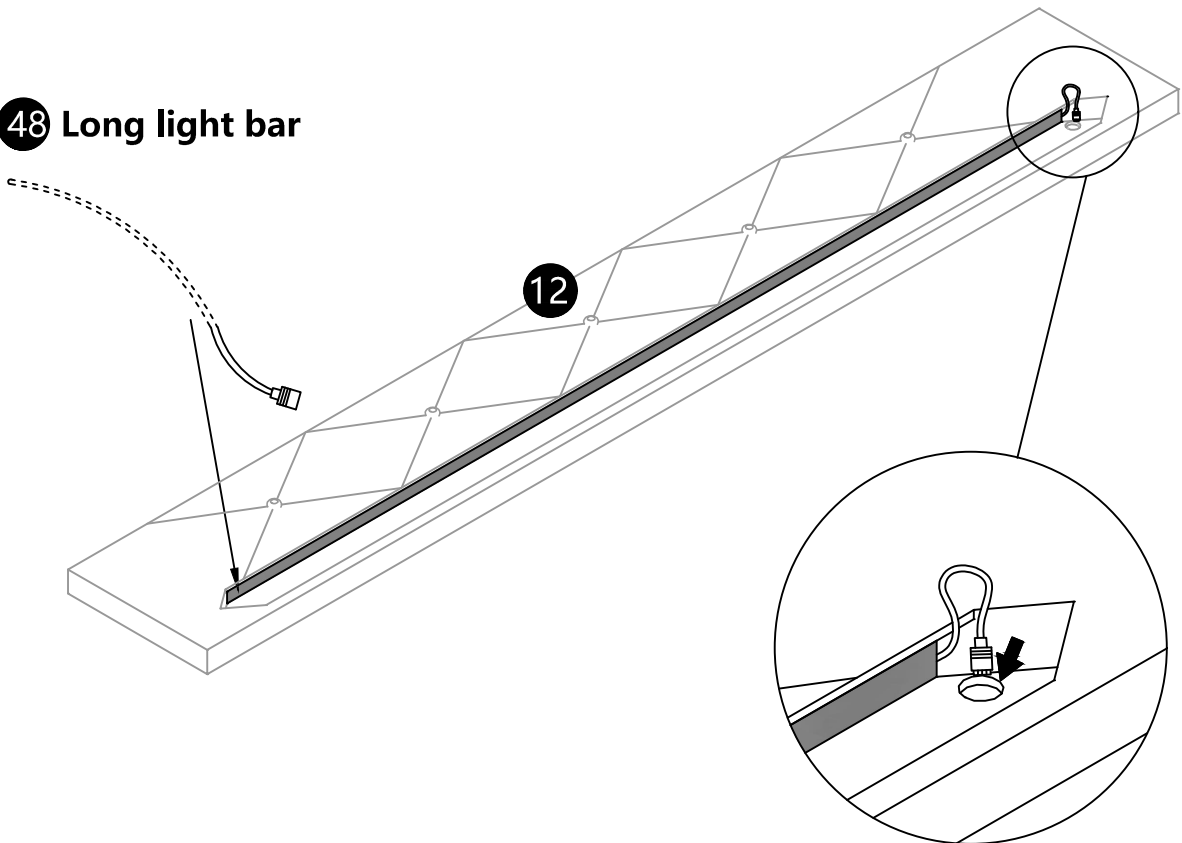
M8X15  
AX8pcs



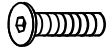
# 19



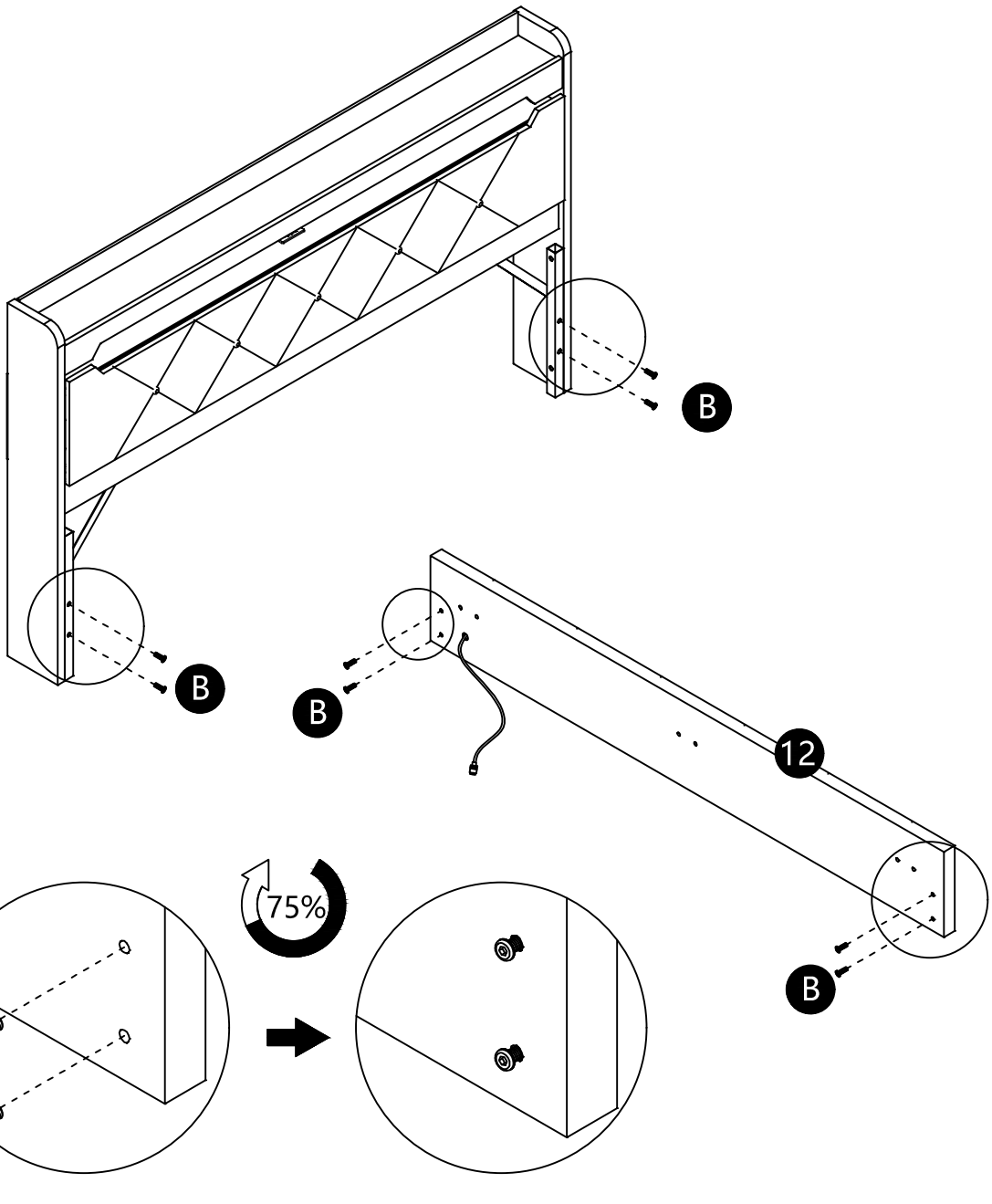
48 Long light bar



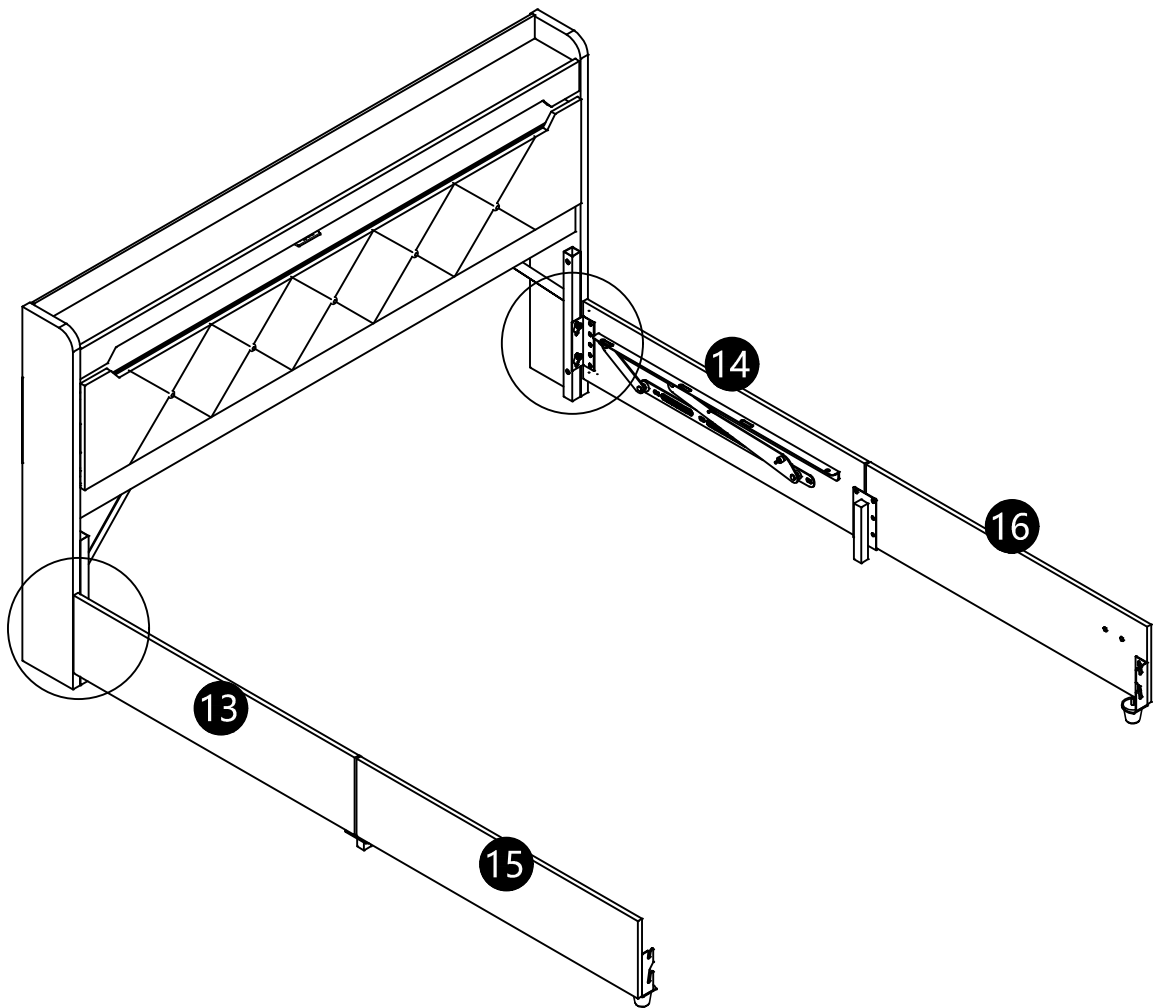
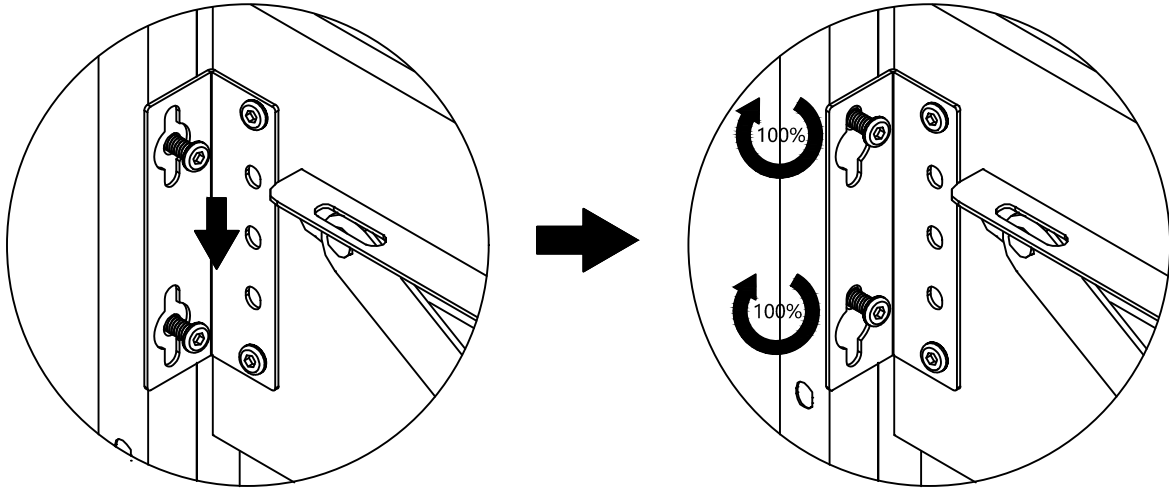
# 20



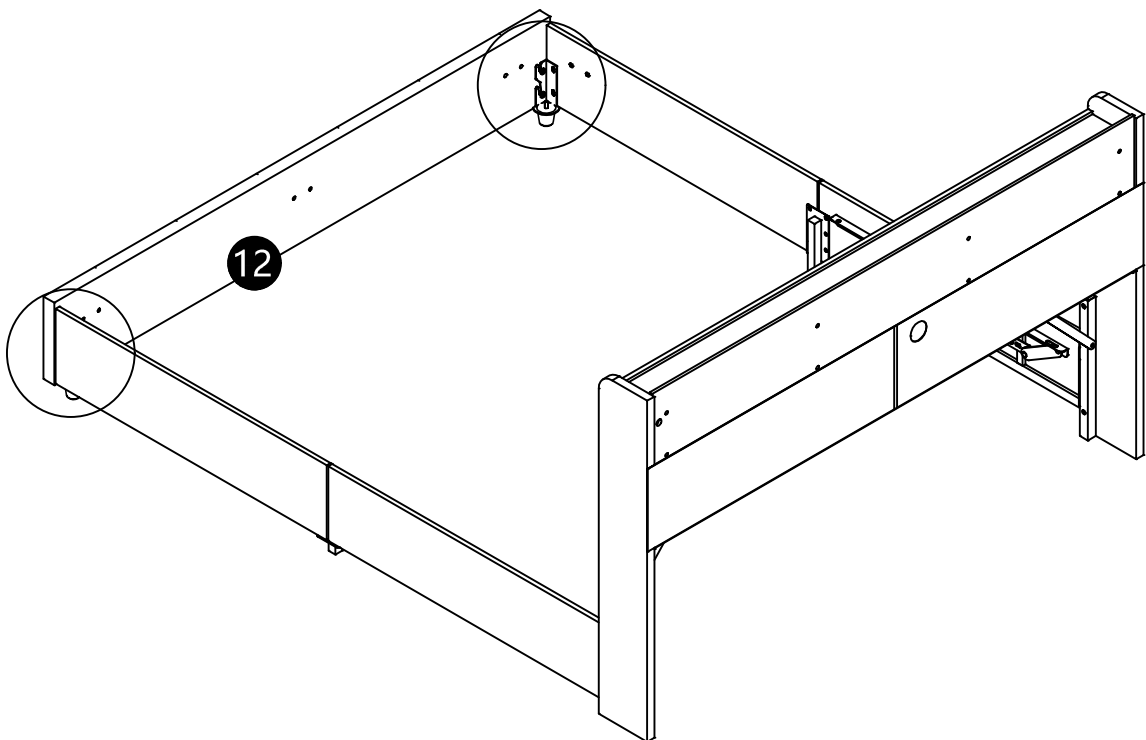
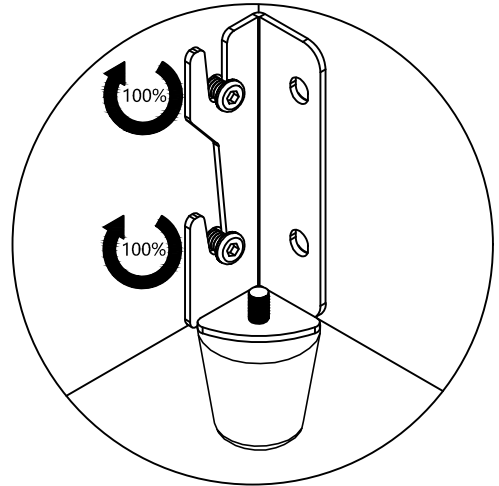
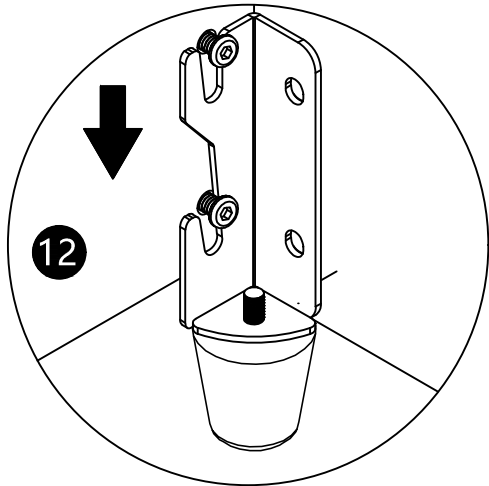
M8X20  
BX8pcs



# 21



# 22



# 23



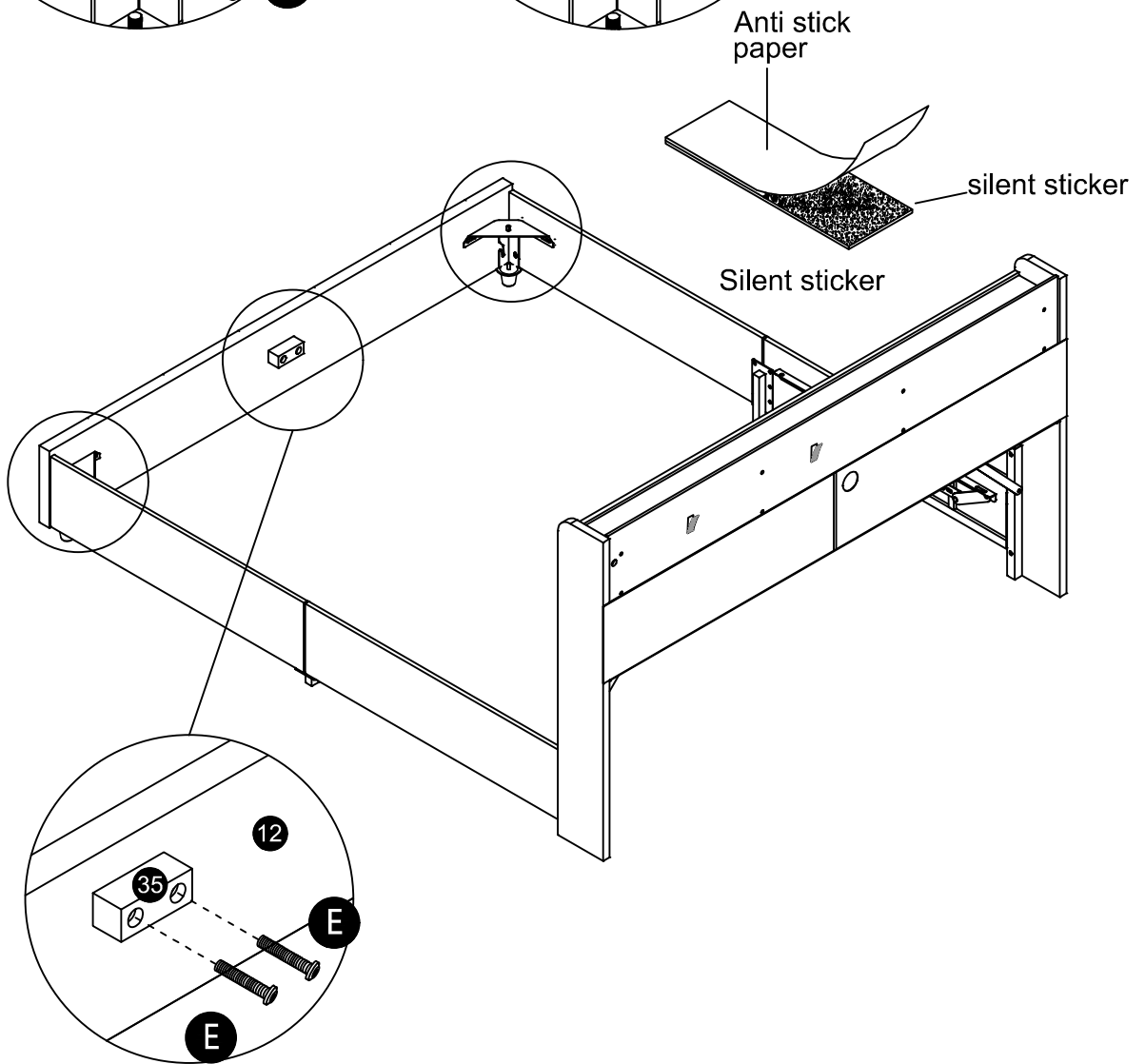
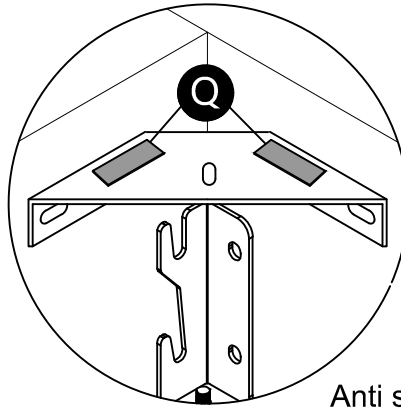
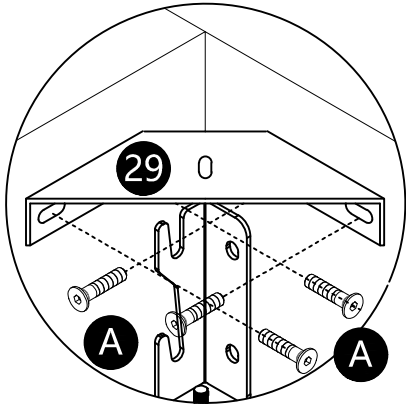
M8\*15  
AX8pcs



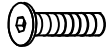
M8\*50  
EX2pcs



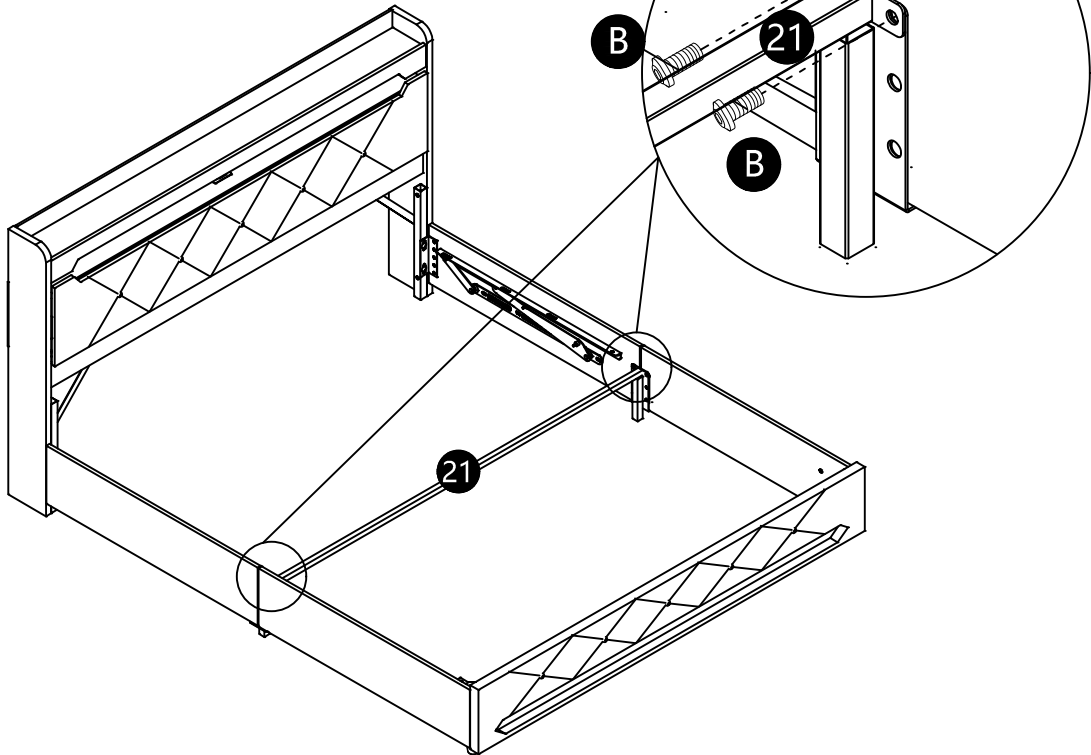
QX4pcs



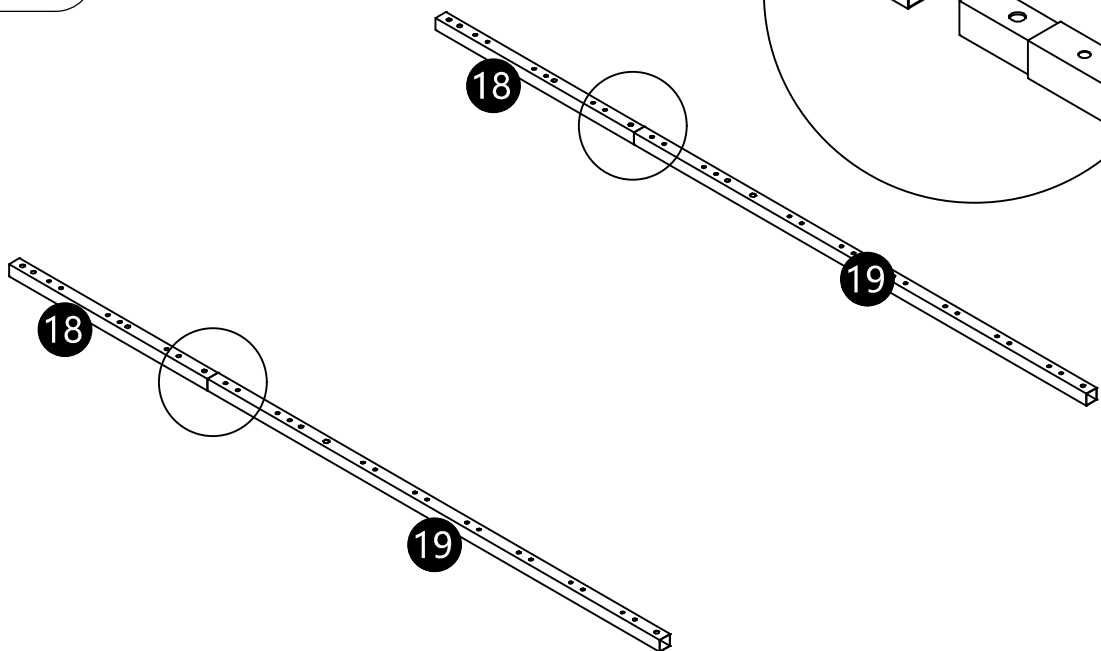
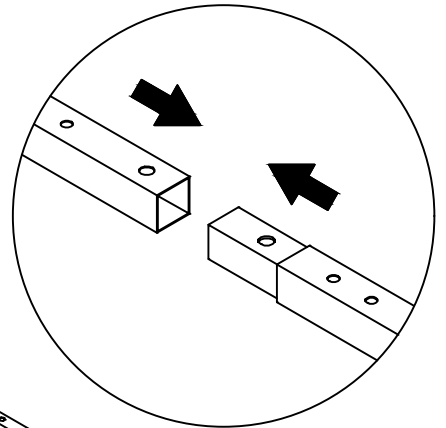
# 24



M8X20  
BX4pcs



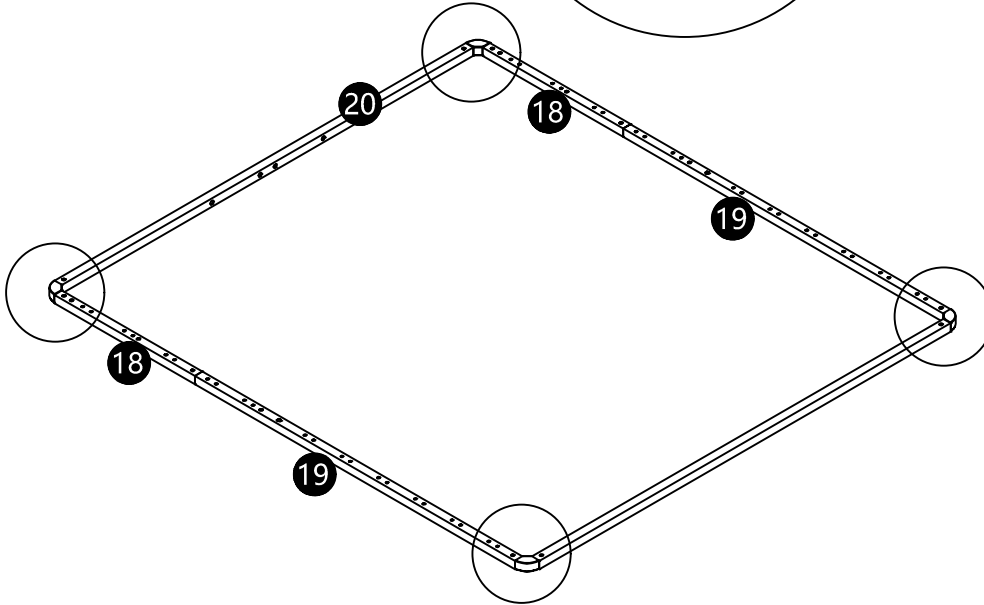
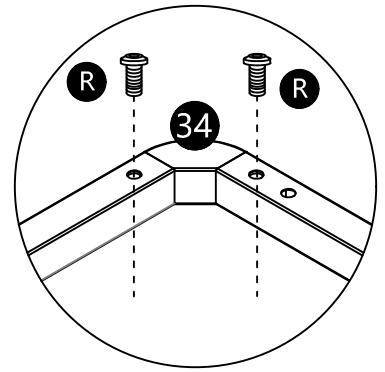
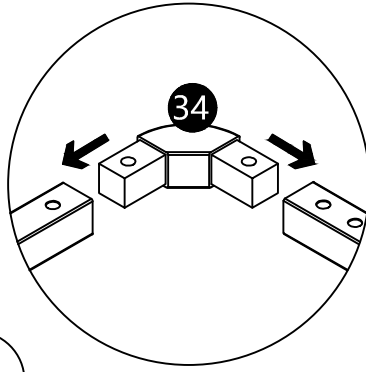
# 25



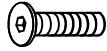
# 26



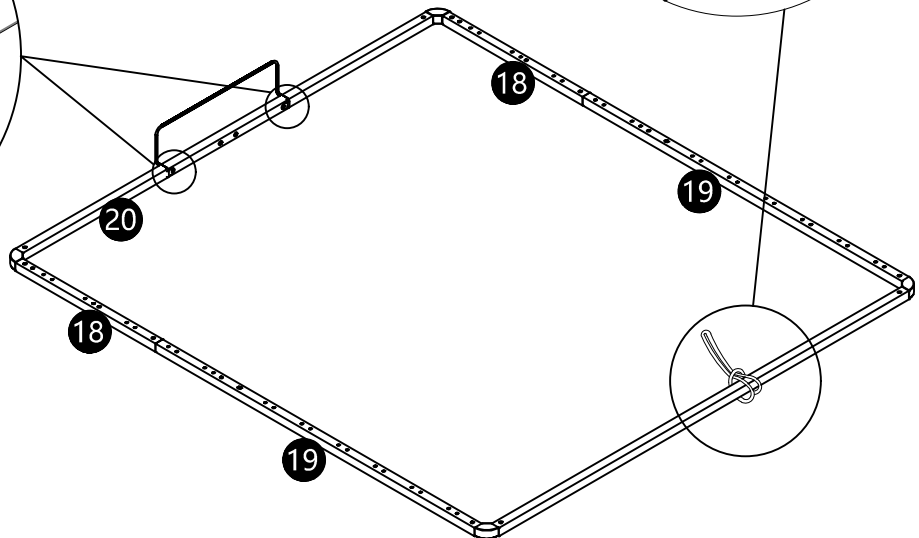
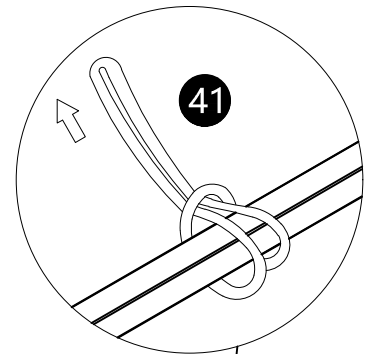
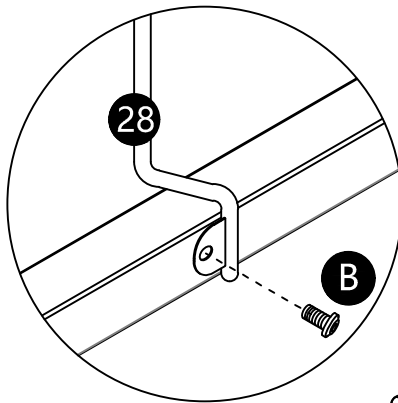
M8X13  
RX8pcs



# 27



M8\*20  
BX2pcs



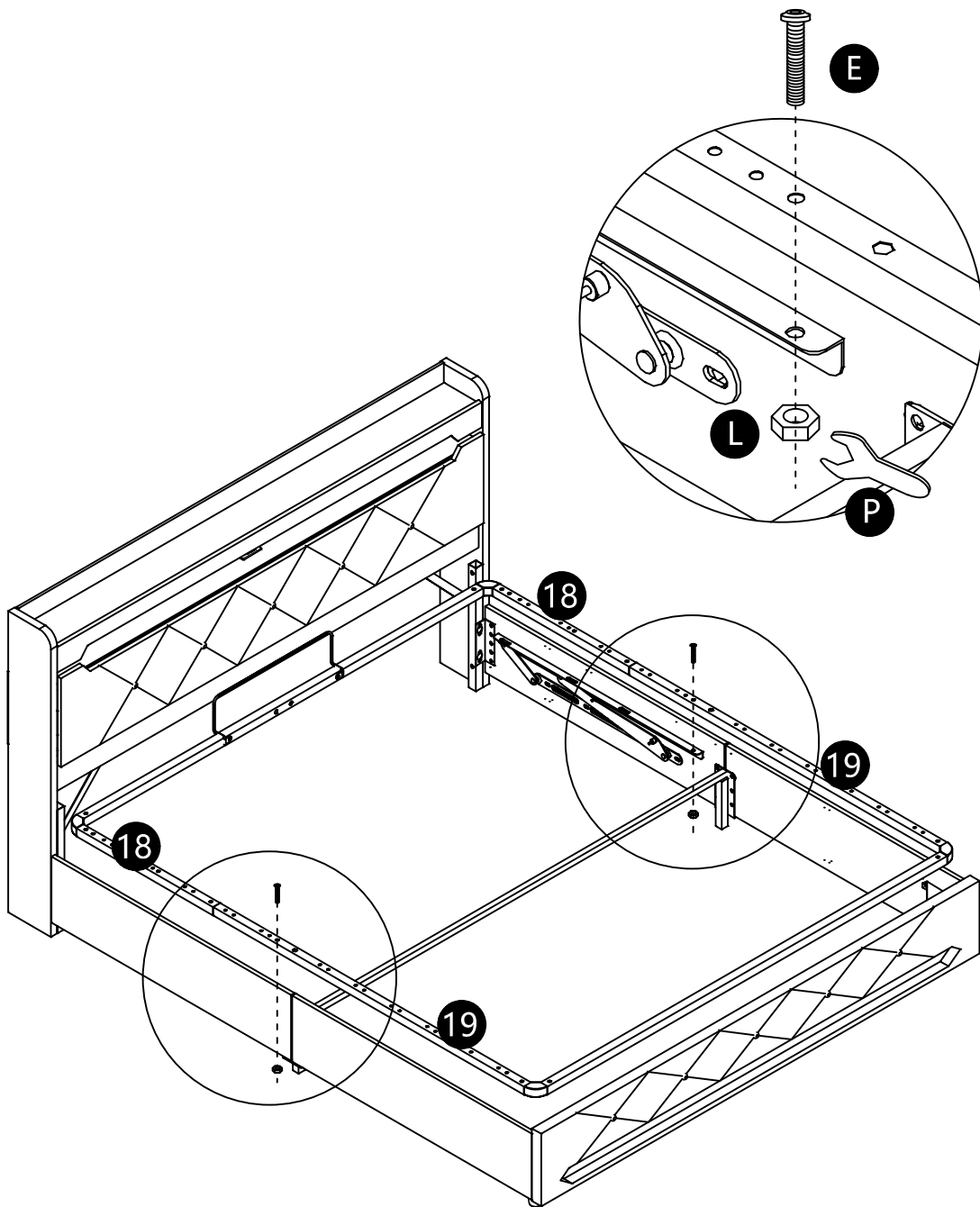
# 28



M8X50  
EX2pcs



M8  
LX2pcs



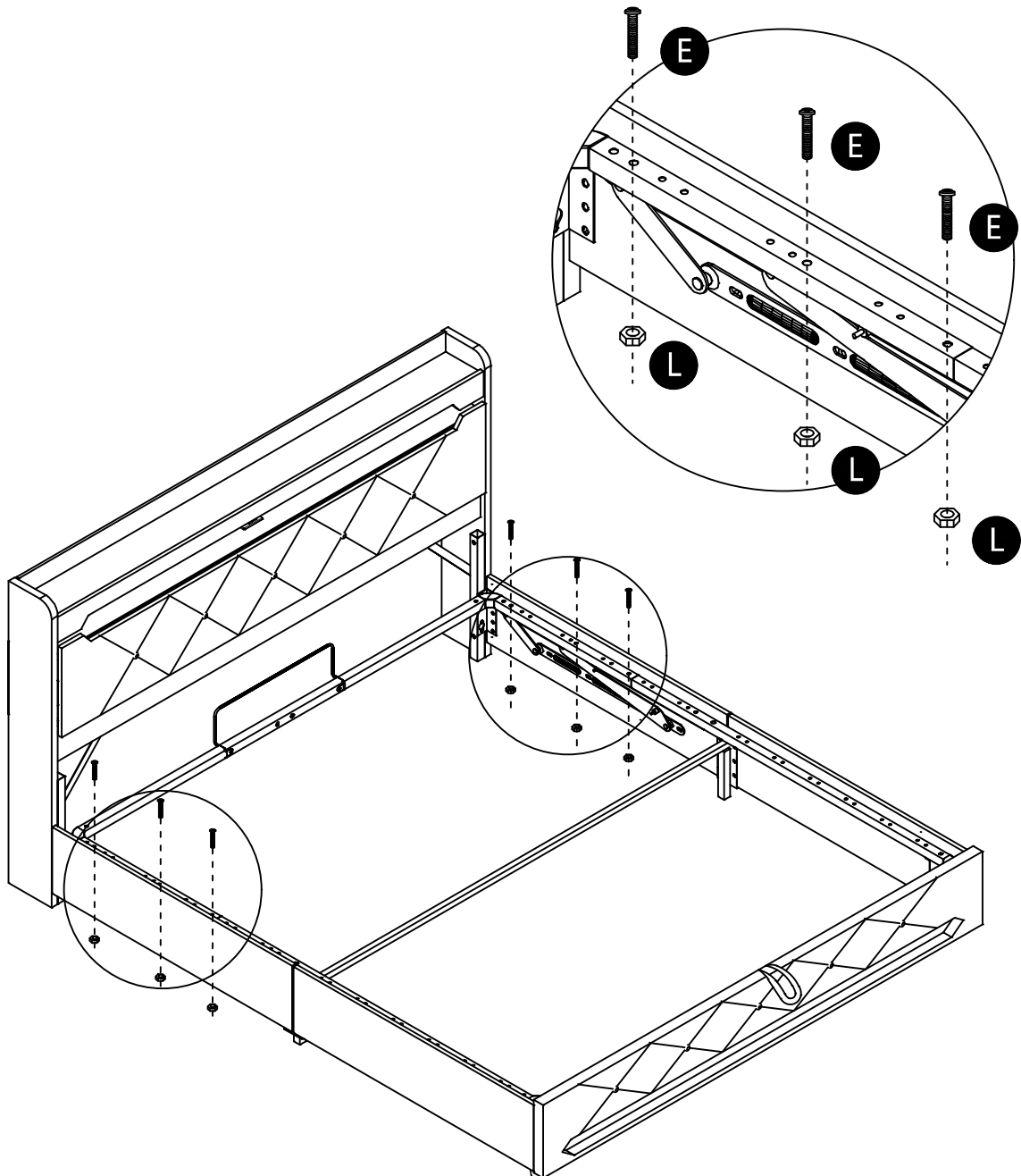
# 29



M8x50  
EX6pcs



M8  
LX6pcs



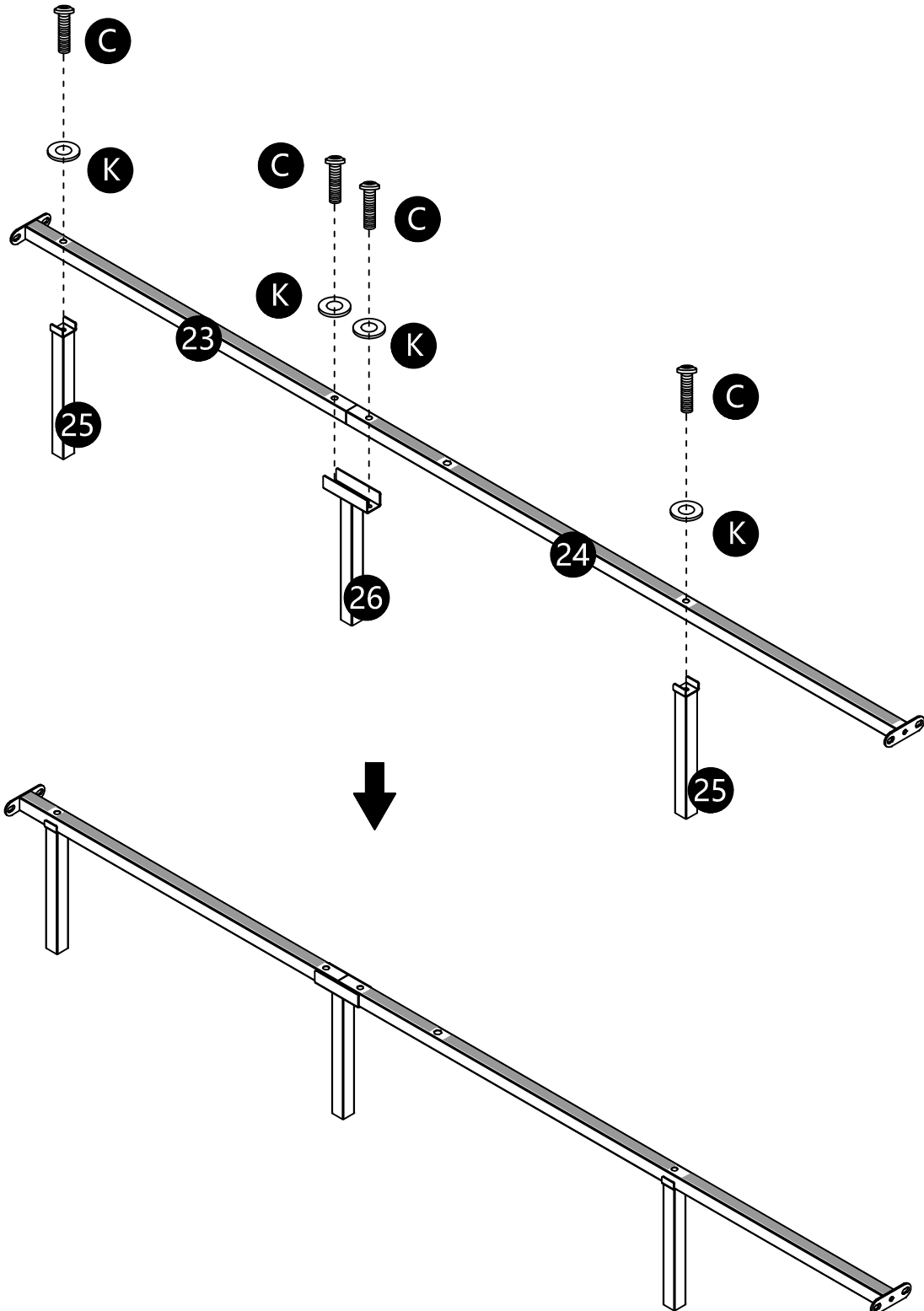
# 30



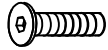
M8x35  
CX4pcs



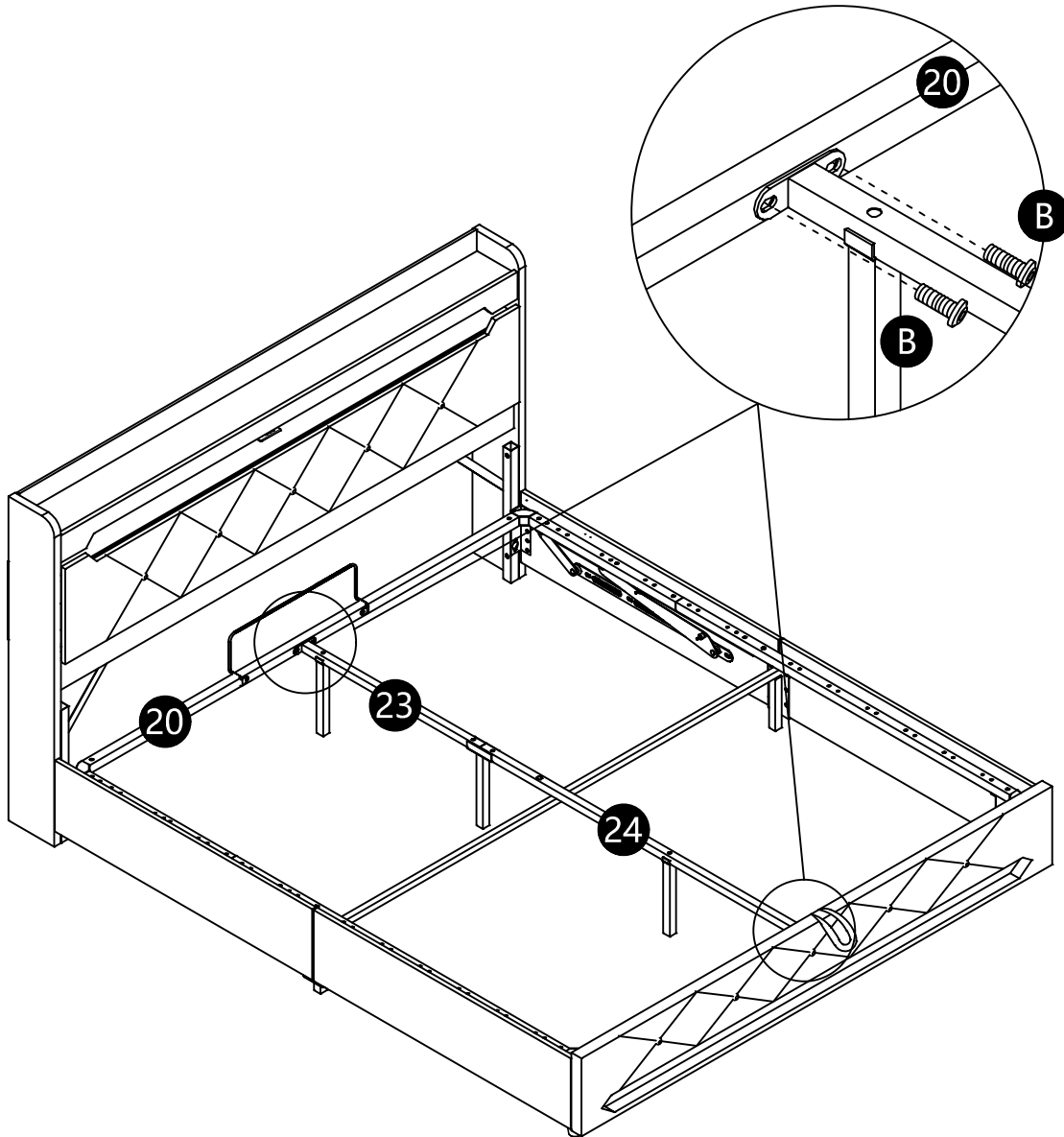
M8\*Ø22  
KX4pcs



# 31



M8X20  
BX4pcs

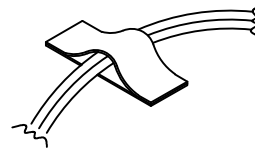
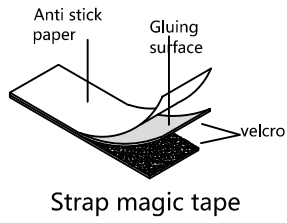


# 32

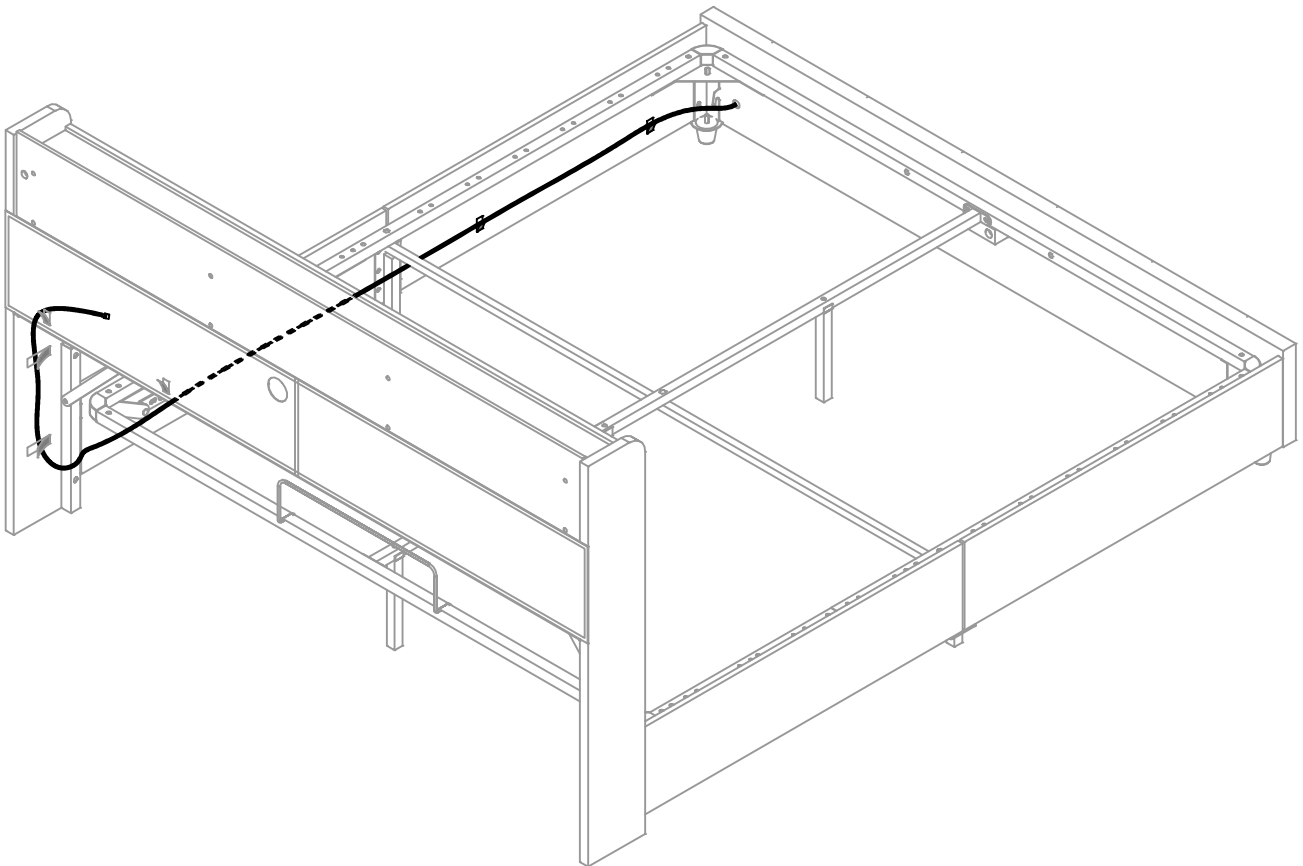


8PCS

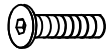
**49** Strap magic tape



When the wires are disordered, tear off the anti stick paper, paste it on the place where the wires pass, and then bind the wires.



# 33



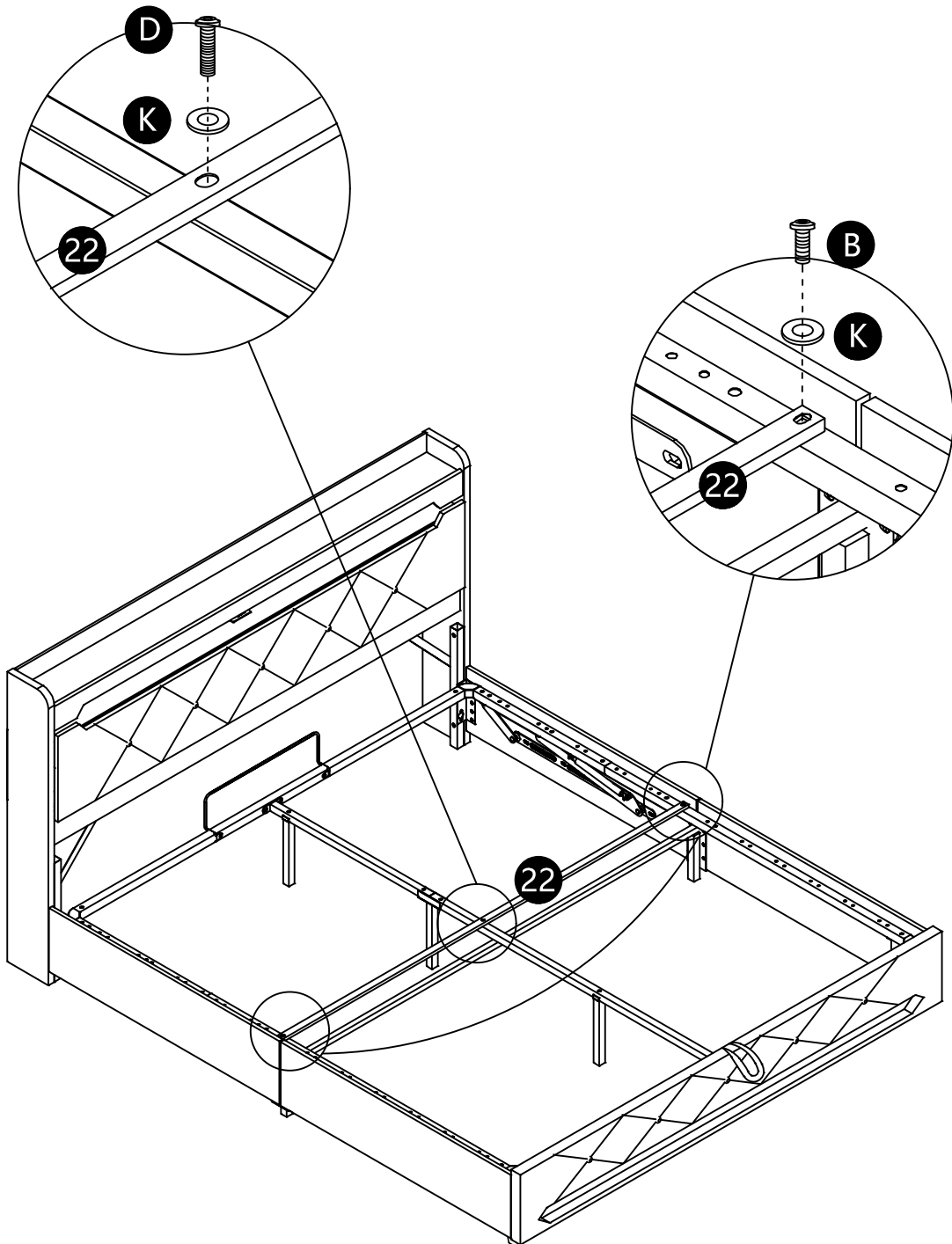
M8\*20  
BX2pcs



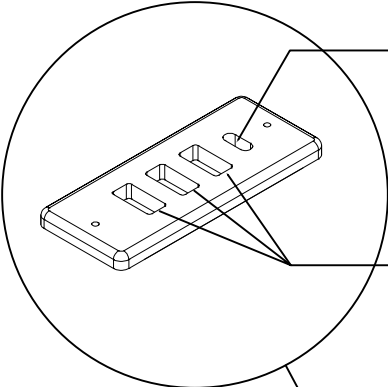
M8\*40  
DX1pcs



M8\*Ø22  
KX3pcs

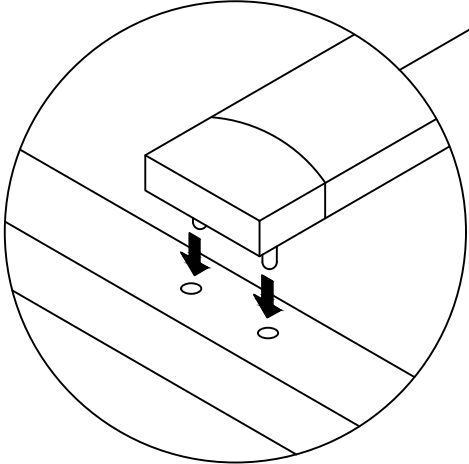
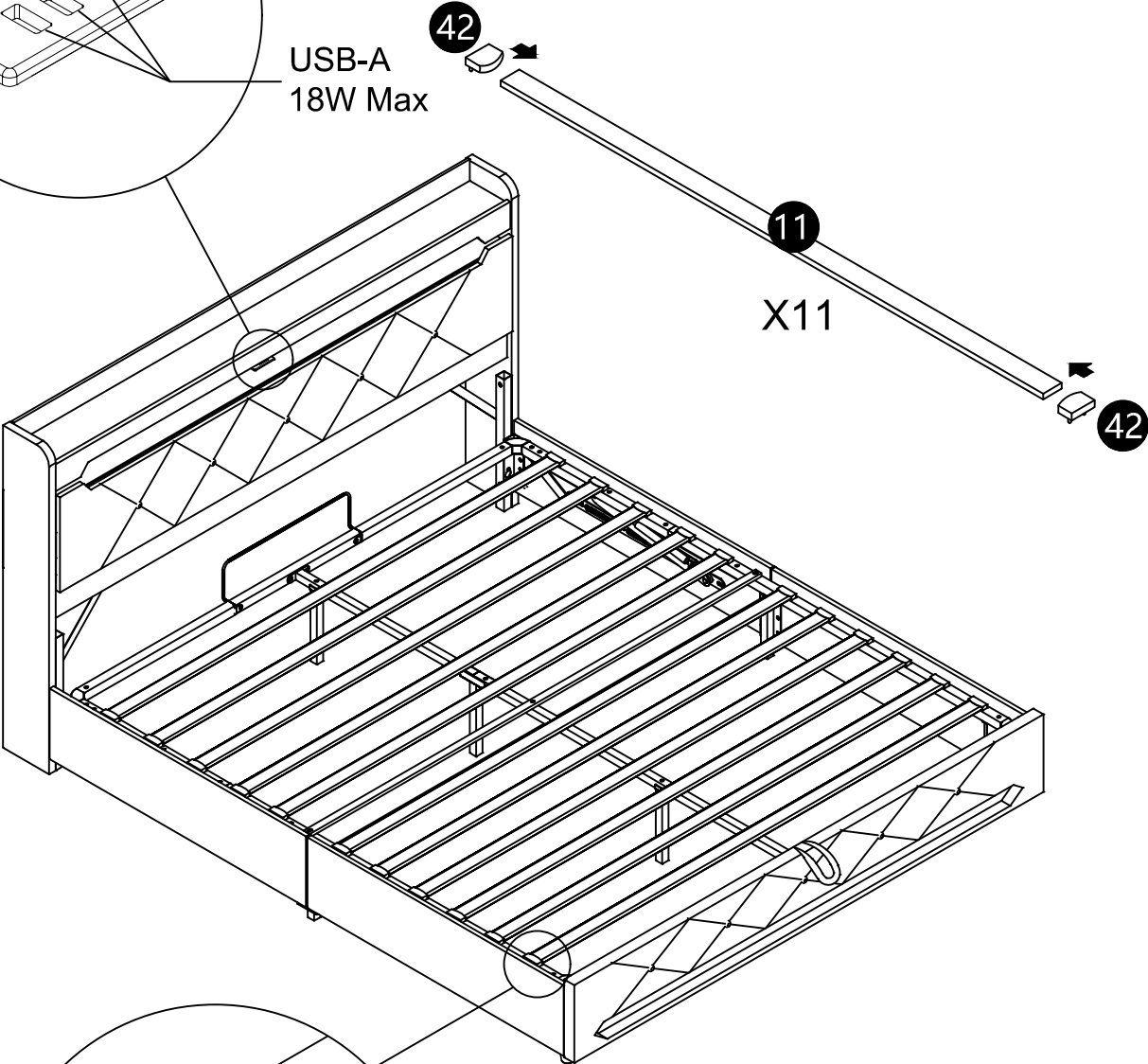


# 34



USB-C  
20W Max

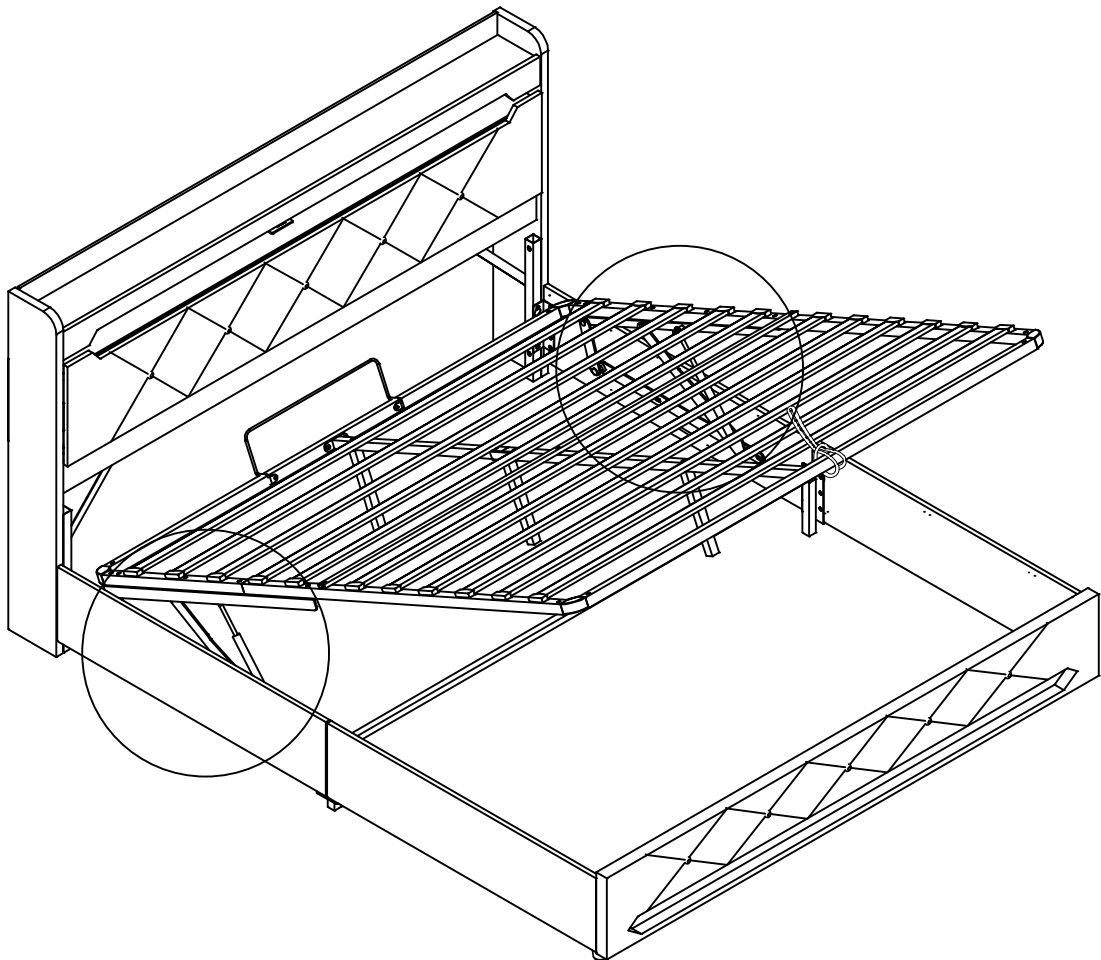
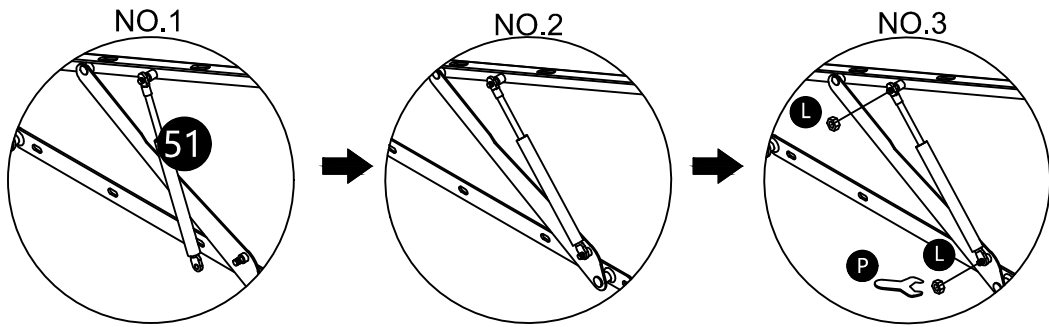
USB-A  
18W Max

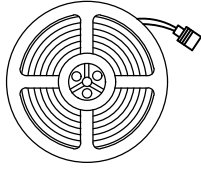


# 35

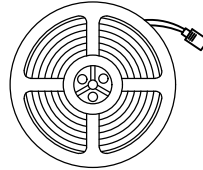


M8  
LX4pcs





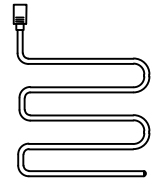
**52** Short light strip  
1PC



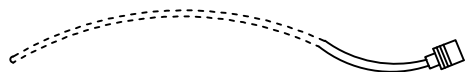
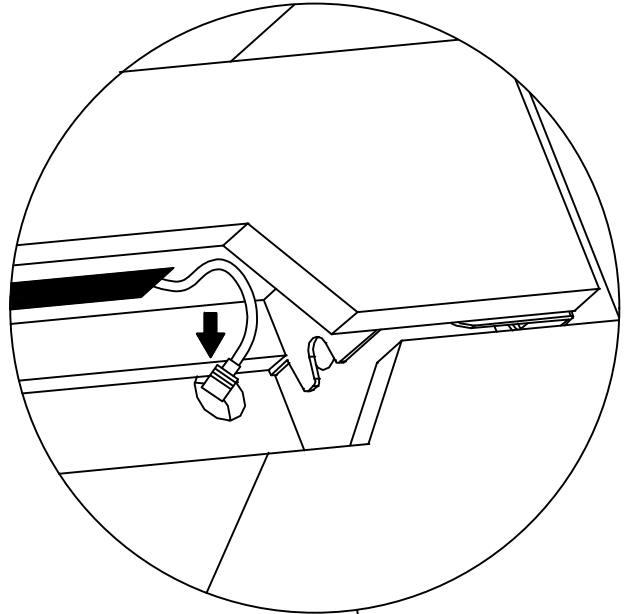
Light strip  
1PC



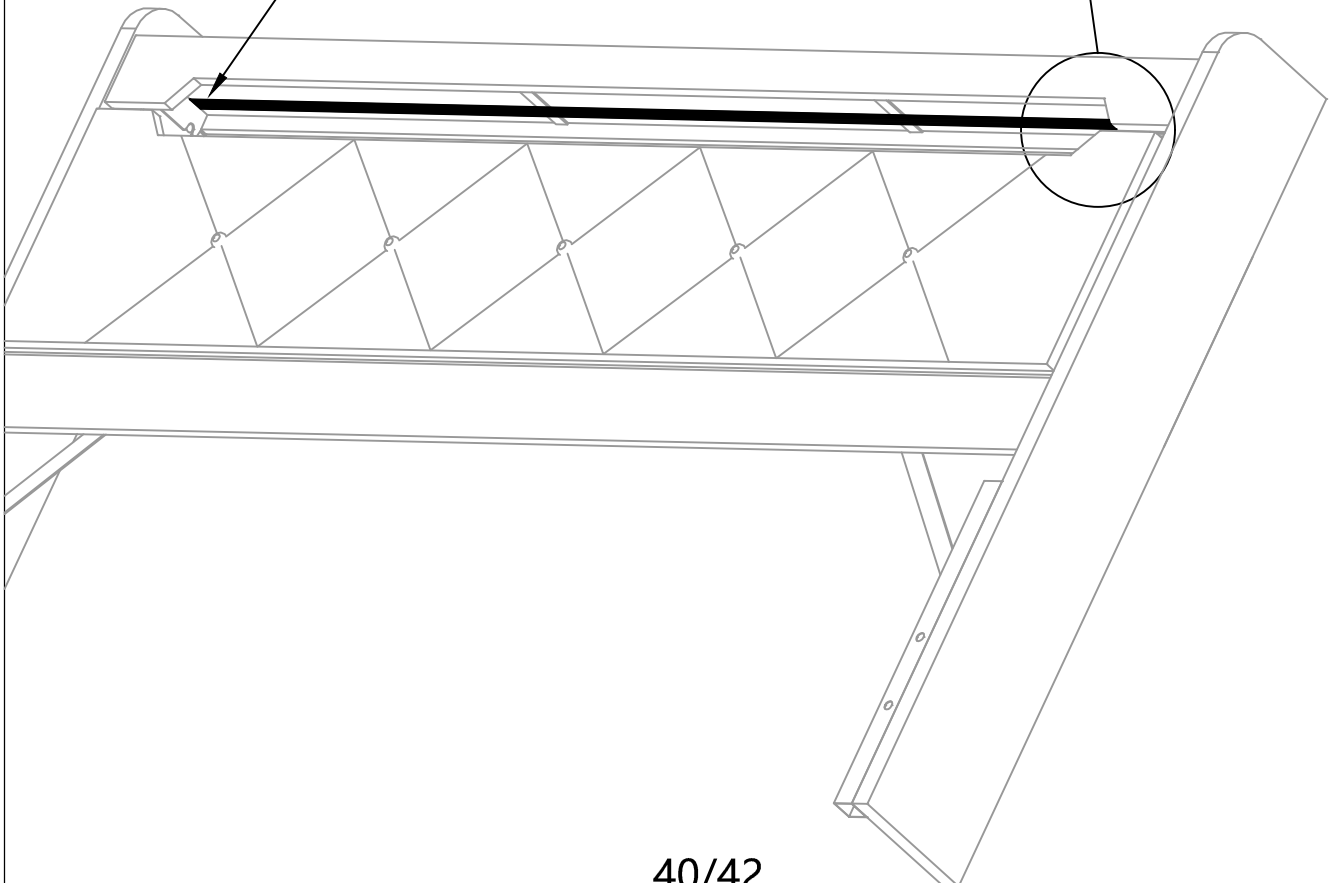
Pull out  
and unfold

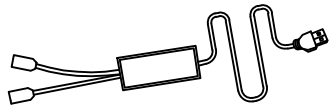


Light strip



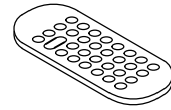
**52** Short light bar





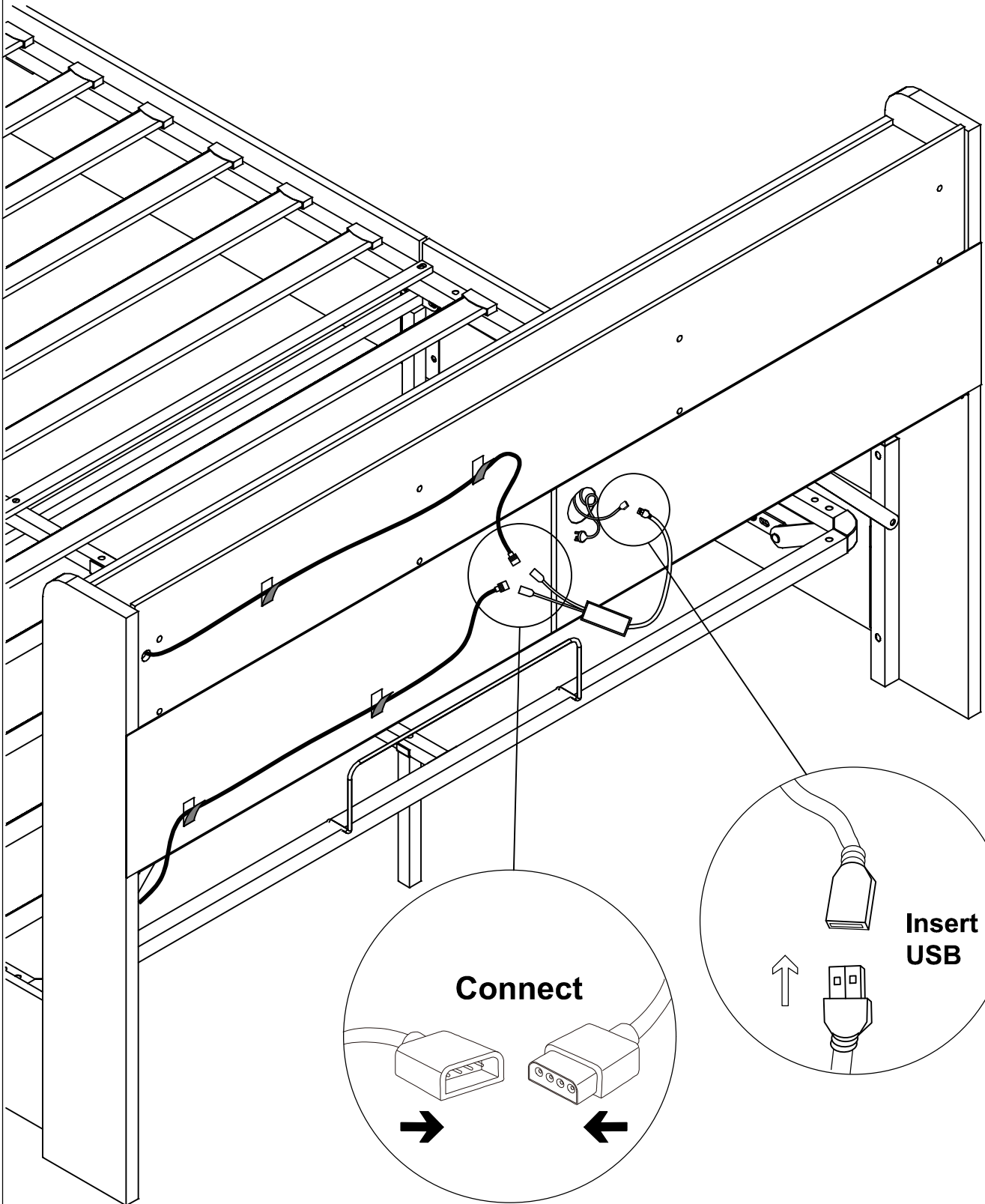
1PC

**46 Power cord**



1PC

**47 Remote control**



**Connect**

**Insert  
USB**

**NOTE:**The battery in the remote control requires you to purchase and install it yourself.  
**Model:CR2025 3.V**



# Attestation of Compliance

<b>Declaration No.:</b>	MK23110141P01-E01
<b>Name and address of Applicant:</b>	<b>Shenzhen Hongzhengyu Technology Co., LTD</b> Shenzhen baoan district rock street industrial science and technology industrial park of 2 Haitian lanyu 3 5 floor of A
<b>Name and address of Manufacturer:</b>	<b>Shenzhen Hongzhengyu Technology Co., LTD</b> Shenzhen baoan district rock street industrial science and technology industrial park of 2 Haitian lanyu 3 5 floor of A
<b>Product name:</b>	<b>RGB package</b>
<b>Rated:</b>	DC5V
<b>Product model(s):</b>	HZY-5050RGB-30D-90R-DC5V, HZY-5050RGB-30D-30R-DC5V, HZY-5050RGB-60D-60R-DC5V, HZY-5050RGB-60D-180R-DC5V, HZY-5050RGB-18D-18R-DC5V
<b>Product trademark:</b>	N/A

This Attestation of Compliance confirms that the product meets the requirements of the following standard.

BS EN IEC 55015:2019+A11:2020  
IEC 61547:2020  
BS EN IEC 61000-3-2:2019  
BS EN 61000-3-3:2013/A2:2021

*The Attestation of Compliance has been carried out in accordance with individual rules and conditions agreed with the applicant. Evaluation has been carried out in accordance with:*

<b>Test report(s) No.:</b>	MK23110141P01-E01
<b>Test conducted by:</b>	TMC Testing Services (Shenzhen) Co., Ltd.
<b>Declaration issue date:</b>	December 5, 2023

**Notes:**

*This Attestation of Compliance is issued according to the Great Britain legislation Electromagnetic Compatibility Regulations 2016( SI 2016 No. 1091). It confirms that the listed products complies with all essential requirements of the Regulations and applies only to the sample and its technical documentation to TMC Testing Services (Shenzhen) Co., Ltd. for testing.*

*After preparation of the necessary technical documentation (which must be kept for up 10 years after the product is placed on the GB market) as well as the UK Declaration of Conformity, the required UKCA marking can be affixed on the product. Other relevant Regulations have to be observed.*

**TMC Testing Services (Shenzhen) Co., Ltd.**

t:86-755-86642861 cert@tmc-lab.com www.tmc-lab.com

1st Floor, Block A1, Zone A, Xinshidai Gongrong Industrial Park, No. 2, Shihuan Road, Shiyuan Street, Baoan District, Shenzhen, China



*Vivian Jiang*  
**Lab Director**  
Vivian Jiang

**UK  
CA**



KeySense Testing & Certification International Co., Ltd.  
 1-3F, Lab Building, No.29 District, Zhongkai Hi-Tech  
 Industrial Development Park, Huizhou, Guangdong,  
 China

Tel:0752-3219929  
 Fax:0752-3219929  
<http://www.kst-cert.com>

# Technical Compliance Statement

Certificate No.: KST240304L008Q01

Report No.: KST240304L008Q01

The following product has been tested by us with the listed standards and found in Compliance with the council LVD directive 2014/35/EU. It is demonstrative for the Compliance with this LVD Directive.

**Holder:** DONGGUAN BAIYOU ELECTRONIC CO LTD  
**Address:** 2F A Building, Wufeng Industrial, Jintan Road, Danwu Shijie Town, Dongguan, Guangdong  
**Product:** USB CHARGER  
**Model Name:** BY213-TD04-C  
**Trade Name:** N/A

Test Standard	
EN 62368-1:2014+A11:2017	Audio/video, information and communication technology equipment Part 1: safety requirements



Signature: 

Name:

Tony Xu

Position:

General Manager

Date:

Apr. 26, 2024



The statement is based on single evaluation of one sample of above mentioned product. It does not imply an assessment of the whole production and does not permit the use of the test lab. Logo.