

What you need

to assemble the product

BELLEVUE

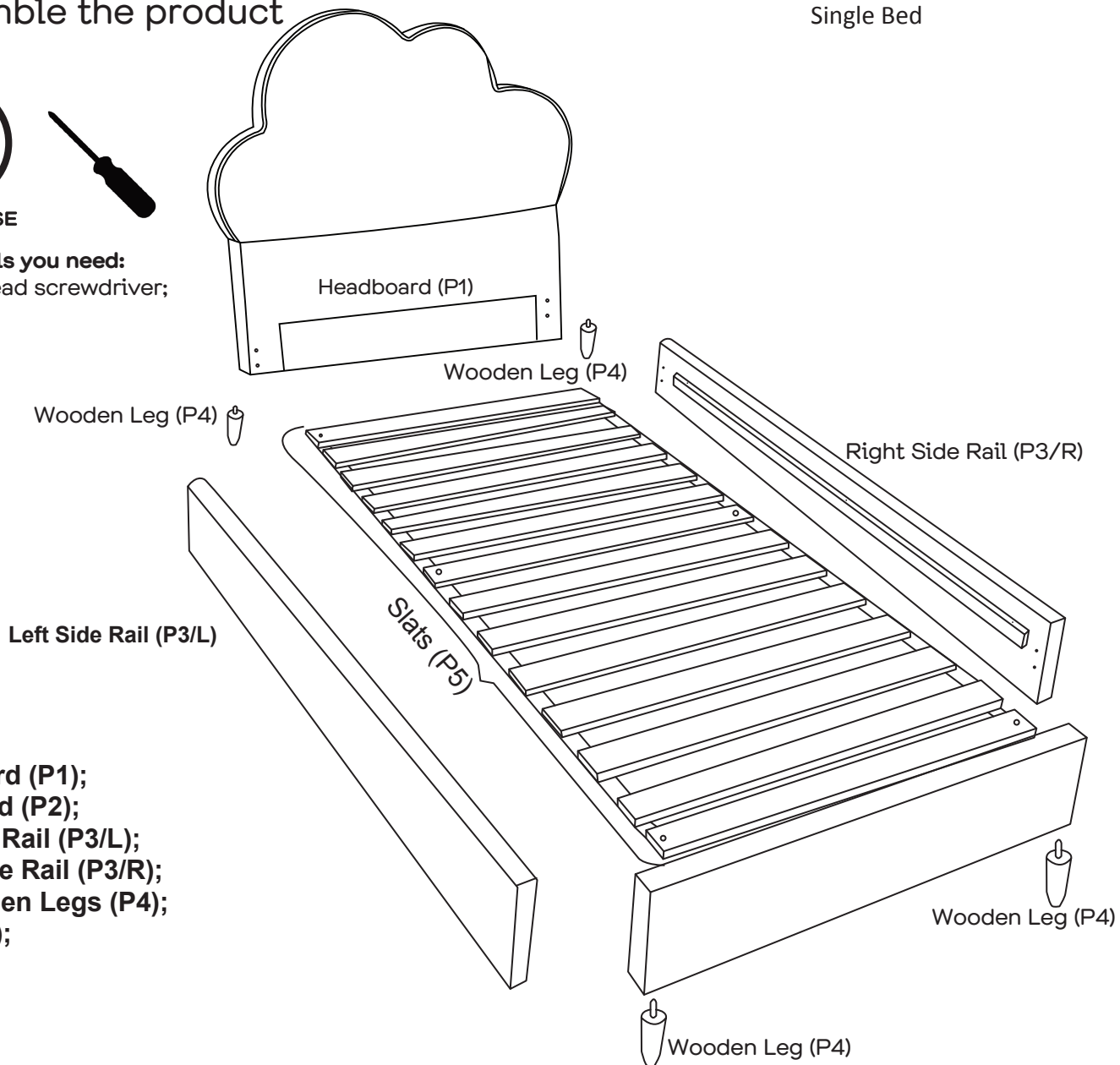
Single Bed



DO NOT USE



Other tools you need:
Phillips head screwdriver;



Parts list

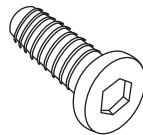
Headboard (P1);
Footboard (P2);
Left Side Rail (P3/L);
Right Side Rail (P3/R);
4 x Wooden Legs (P4);
Slats (P5);

Hardware pack

Two People

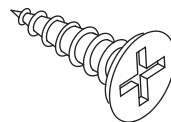


Required



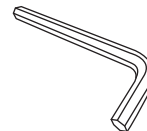
16 x Bolts

(H1)



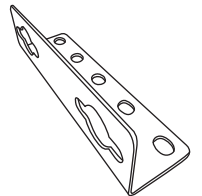
6 x Screws

(H2)



1 x Allen
Key


(H3)

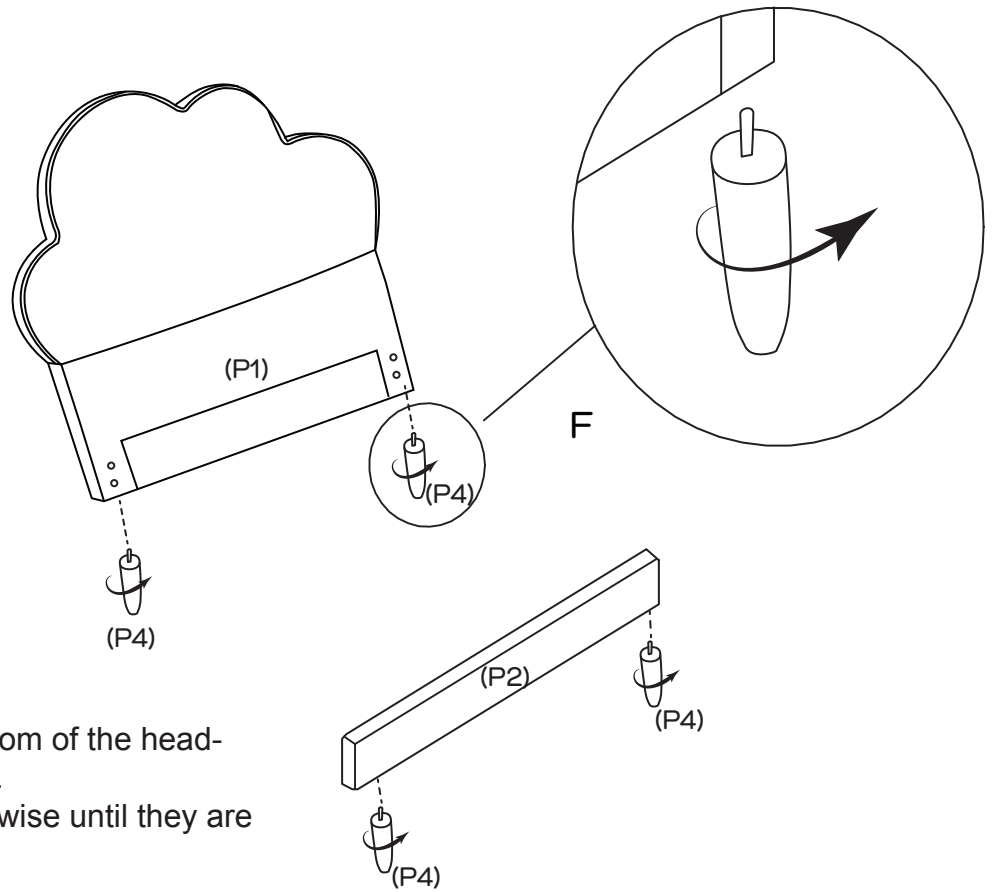


4 x Brackets

(H4)

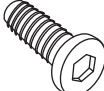
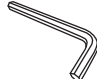
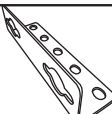
Step 1

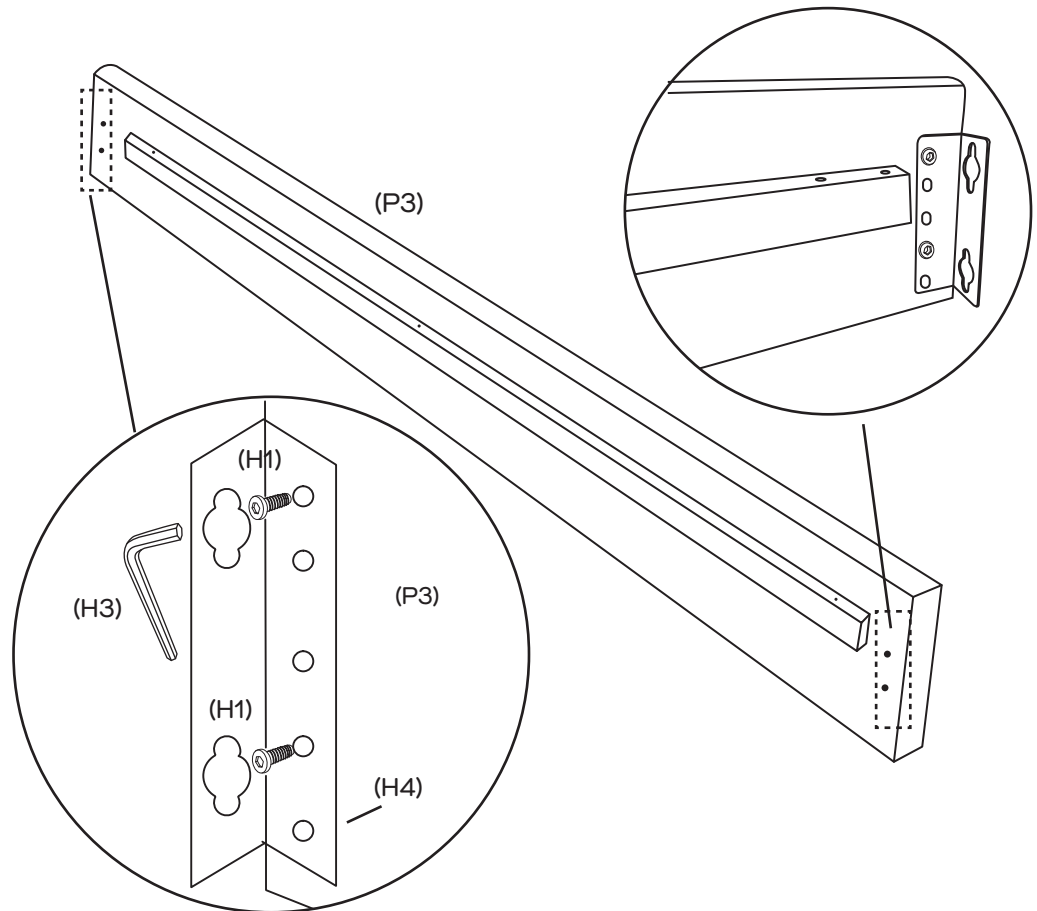
You will need	
	
4 x Wooden Legs (P4)	



Attach 2 x legs (P4) to the bottom of the headboard (P1) and footboard (P2). Rotate the legs (P4) anti-clockwise until they are fully tightened.

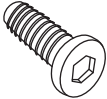
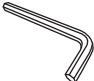
Step 2

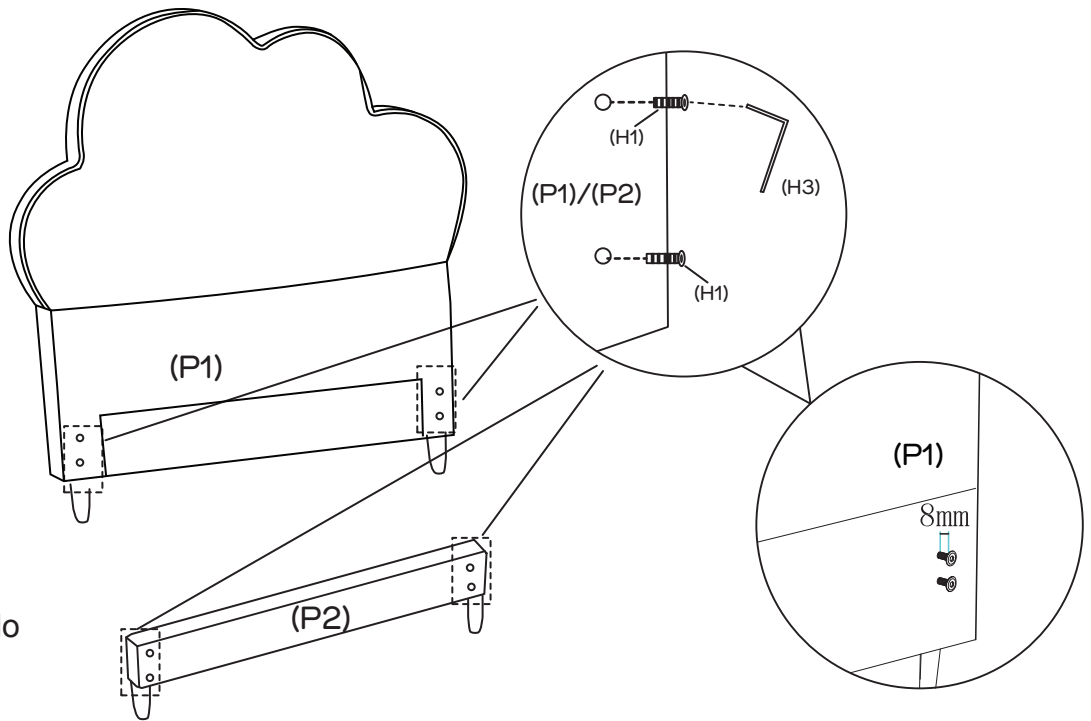
You will need	
	
8 x Bolts (H1)	1 x Allen Key (H3)
	
4 x Brackets (H4)	



Attach the 4 x brackets (H4) to the ends of the side rails (P3) as shown. Screw in 2 x bolts (H1) into each bracket with the allen key (H3). Ensure to fully tighten all bolts.

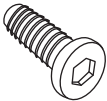
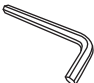
Step 3

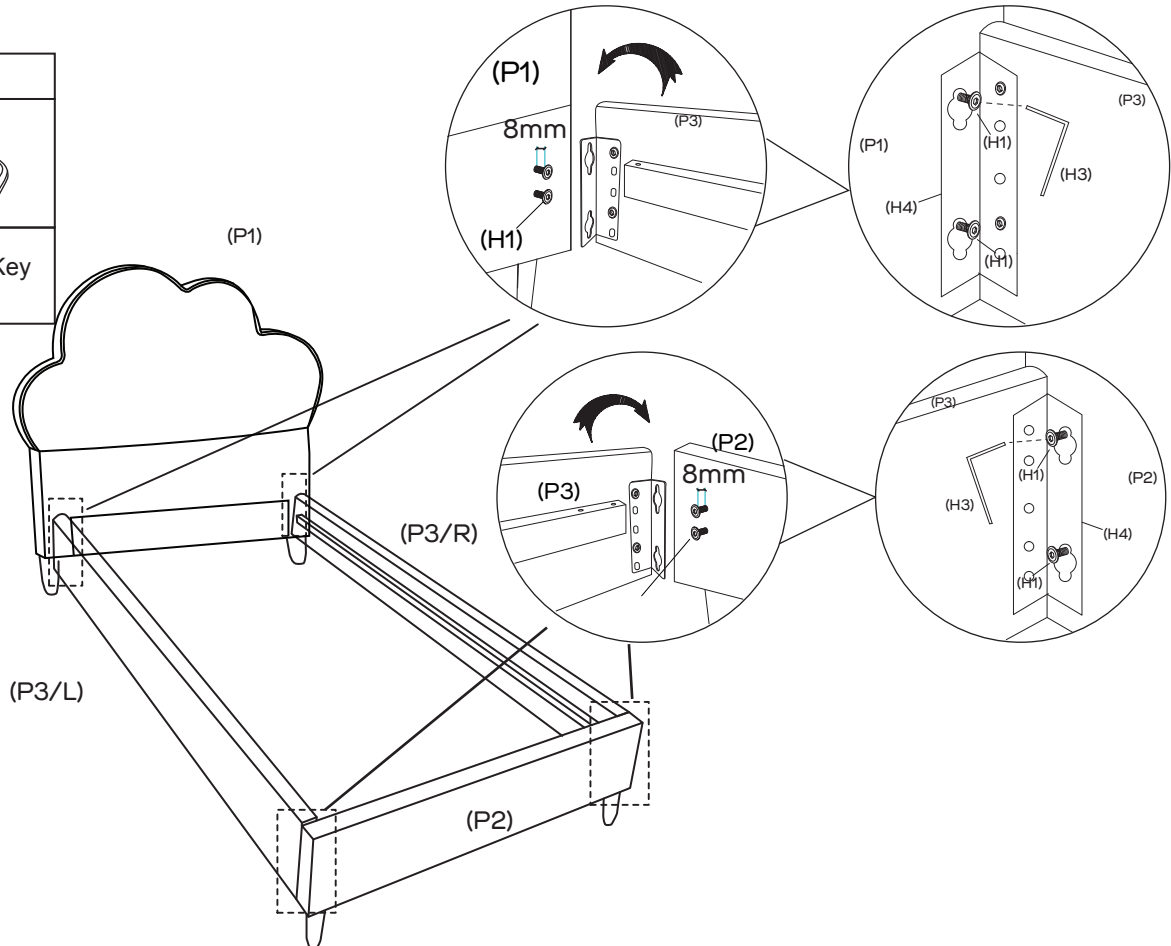
You will need	
	
8 x Bolts (H1)	1 x Allen Key (H3)



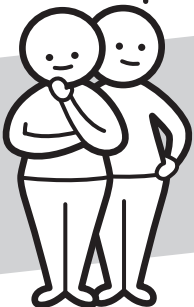
Install 4 x bolts (H1) into the headboard (P1) and footboard (P2) by using the allen key (H2) as shown, do not fully tighten the bolts and keep them 8mm loose.

Step 4

You will need	
	
8 x Bolts (H1)	1 x Allen Key (H3)





Two People

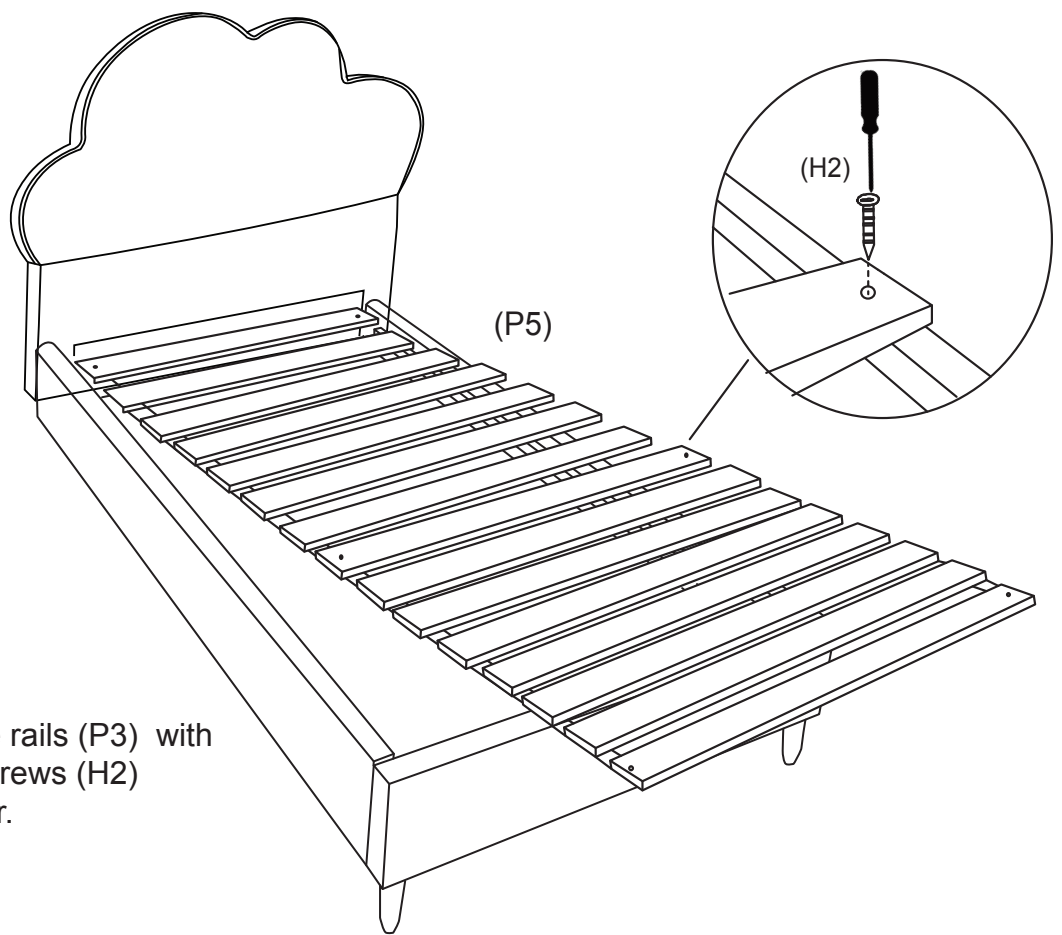


Required

Then attach the side rails (P3/L, P3/R) to the headboard (P1) over the bolts (H1) as shown.
 Then attach the side rails (P3/L, P3/R) to the footboard (P2) over the bolts (H1).
 Make sure the inner space of the bed is square.
 Now fully tighten all bolts (H1) on brackets with the allen key (H3).

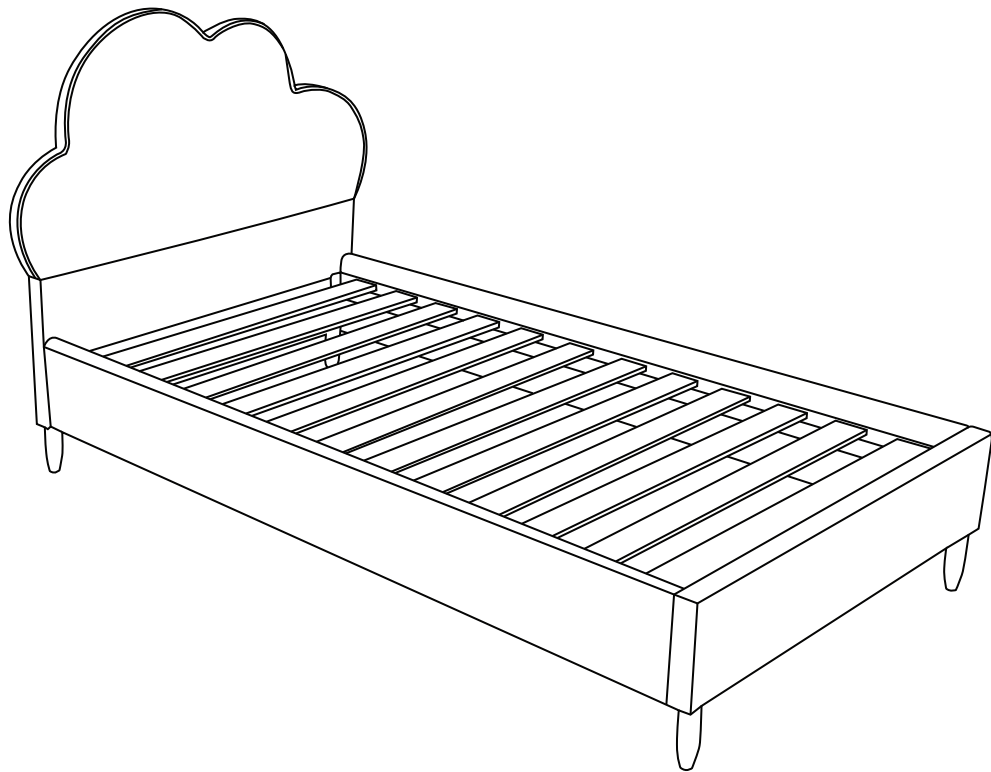
Step 5

You will need	
	
6 x Screws (H2)	Phillips head screwdriver



Stick the slats (P5) to the side rails (P3) with the velcro, and then install 6x screws (H2) using a phillips head screwdriver.

Step 6



Job complete!

In the interest of our environment please dispose of all packaging thoughtfully.