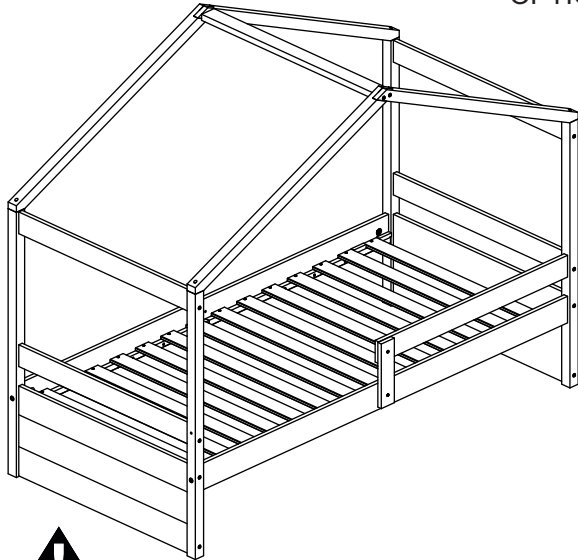
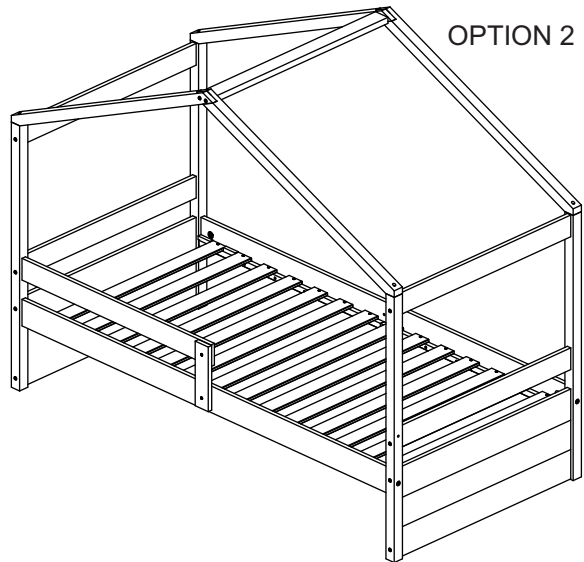


NIDO LOGAN HOUSE ASSEMBLY INSTRUCTIONS

OPTION 1



OPTION 2



FOR DOMESTIC USE ONLY

PLEASE READ AND FOLLOW THESE INSTRUCTIONS CAREFULLY

RETAIN FOR FUTURE REFERENCE

CARE AND MAINTENANCE

WARNING “High beds and the upper bed of bunk beds are not suitable for children under the age of six years due to the risk of injury from falls”;

WARNING “Bunk beds and high beds can present a serious risk of injury from strangulation if not used correctly. Never attach or hang items to any part of the bunk bed that are not designed to be used with the bed, for example, but not limited to ropes, strings, cords, hooks, belts and bags”;

WARNING “Children can become trapped between the bed and the wall, a roof pitch, the ceiling, adjoining pieces of furniture (e.g. cupboards) and the like. To avoid risk of serious injury the distance between the top safety barrier and the adjoining structure shall not exceed 75mm or shall be more than 230mm”;

WARNING Do not use the bunk bed/high bed if any structural part is broken or missing;

The recommended mattress size for this bunk bed is 1900mm x 915mm x 150mm

The maximum mattress height is 160mm.

The maximum mattress height is clearly marked on the bunk bed and **MUST NOT BE EXCEEDED.**

Depending on the amount of use this product receives it may be necessary to tighten up the fixings from time to time, this is completely normal for all flat pack furniture. **DO NOT OVER TIGHTEN FIXINGS.** Do not for any reason use a power tool to assemble this product.

Two persons are required to assemble this bunk bed.

Assemble as close to its final position as possible.

Assemble on a soft clean surface.

For cleaning you may use a damp cloth (not wet).

The room in which the bed is positioned should be ventilated to prevent mould in and around the bed.

This bunk bed is manufactured to conform to BS EN 747:2012+A1:2015

CUIDADOS Y MANUTENCION

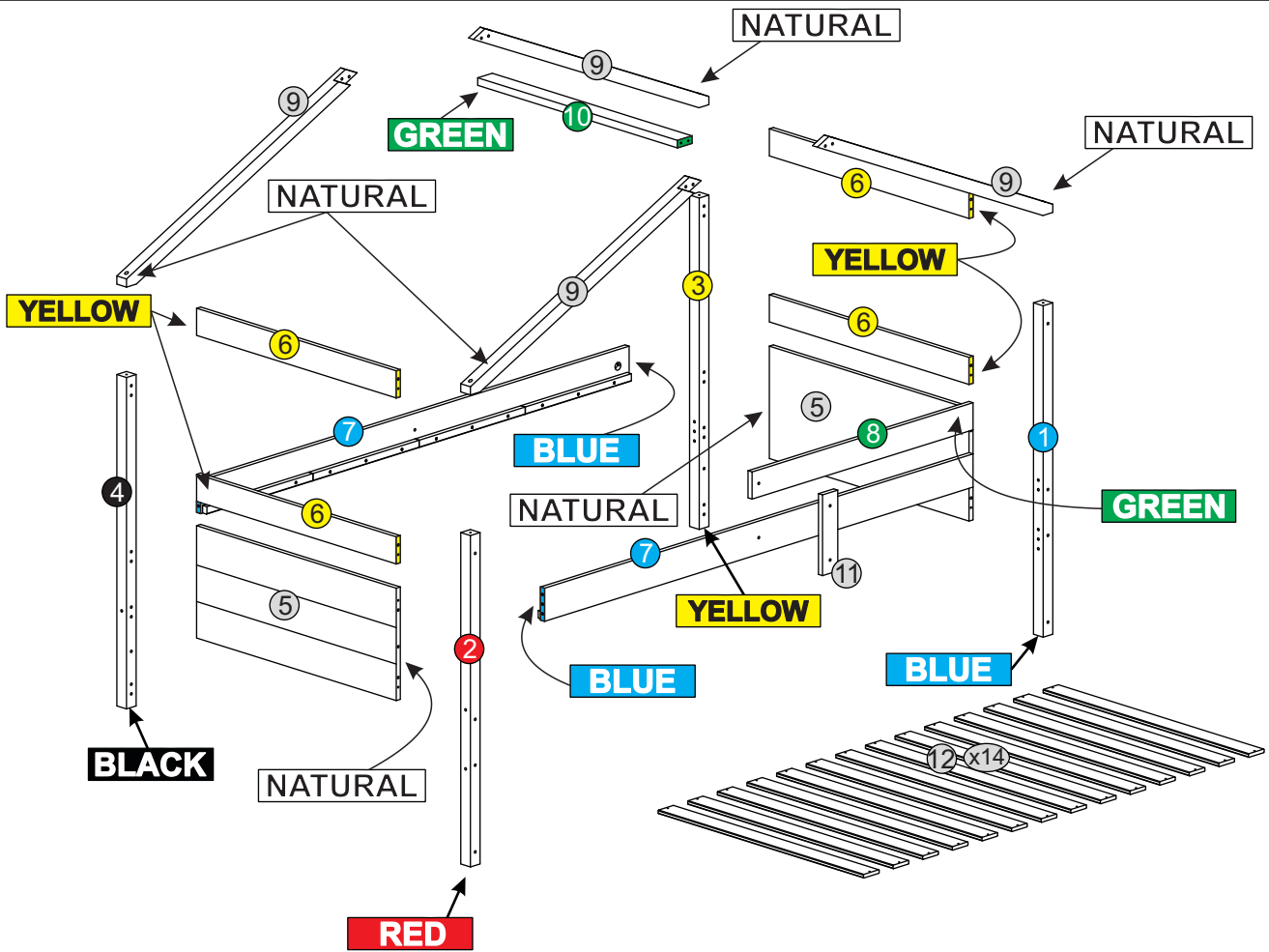
Por favor, lea atentamente:

1- No mantener este producto cerca de radiadores, chimeneas o expuesto al sol. Es recomendable mantener una temperatura ambiente estable.

2- La madera es un producto natural. Pueden haber algunas variaciones de tonalidad.

3- No colocar productos húmedos directamente sobre el mueble. Tampoco muy fríos, ni muy calientes, ya que pueden dejar marcas.

4- Para la limpieza general, utilizar un trapo limpio y seco. No utilizar detergentes ni productos de limpieza.



⚠
 * Use of power tools to assemble this product will invalidate any claim and damage this product making it unsafe !!!
 * Please assemble on a clean soft surface to avoid damage.

⚠
 * Please check contents and read the instructions before commencing assembly.
 * Assemble this product following the enclosed instructions carefully.
 * Please take care to avoid damaging panels during assembly.


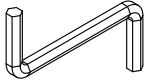





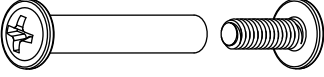
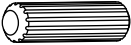
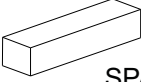
PARTS LIST

Please Note:

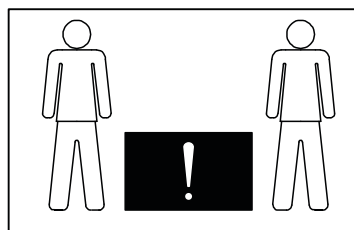
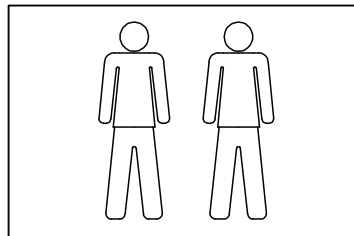
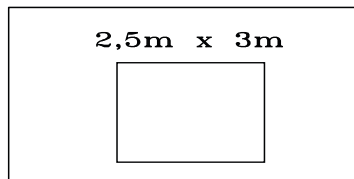
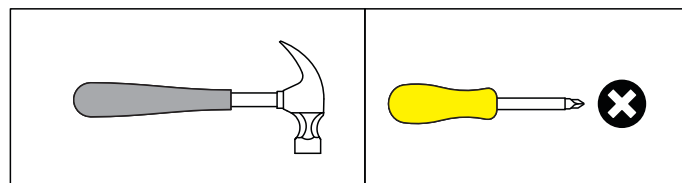
The highlighted parts below have been stamped with the part number to help identify them during assembly

<u>Part Number</u>	<u>Part Description</u>	<u>Quantity</u>	<u>Carton</u>
1	Right Front Headboard Post (BLUE)	1	1/2
2	Left Front Headboard Post (RED)	1	1/2
3	Right Back Headboard Post (YELLOW)	1	1/2
4	Left Back Headboard Post (BLACK)	1	1/2
5	Headboard Panel (NATURAL)	2	1/2
6	Top Headboard Crossbar (YELLOW)	2	1/2
7	Side Rail (BLUE)	2	2/2
8	Front Safety Rail (GREEN)	1	1/2
9	Roof support (NATURAL)	4	1/2
10	Roof Center Crossbar (GREEN)	1	2/2
11	Front Safety Support	1	1/2
12	Slats	14	2/2

FITTINGS

A	 $\text{Ø}1/4 \times 100\text{mm}$	04	F		01
B	 $\text{Ø}7 \times 80\text{mm}$	21	G		02
C	 $\text{Ø}7 \times 70\text{mm}$	04	H		04
D	 $\text{Ø}3,5 \times 25\text{mm}$	28	I		02
E	 $\text{Ø}8 \times 30\text{mm}$	29	J	 $62 \times 20 \times 20\text{mm}$ SPACER	02

TOOLS REQUIRED

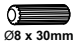



STEP 1

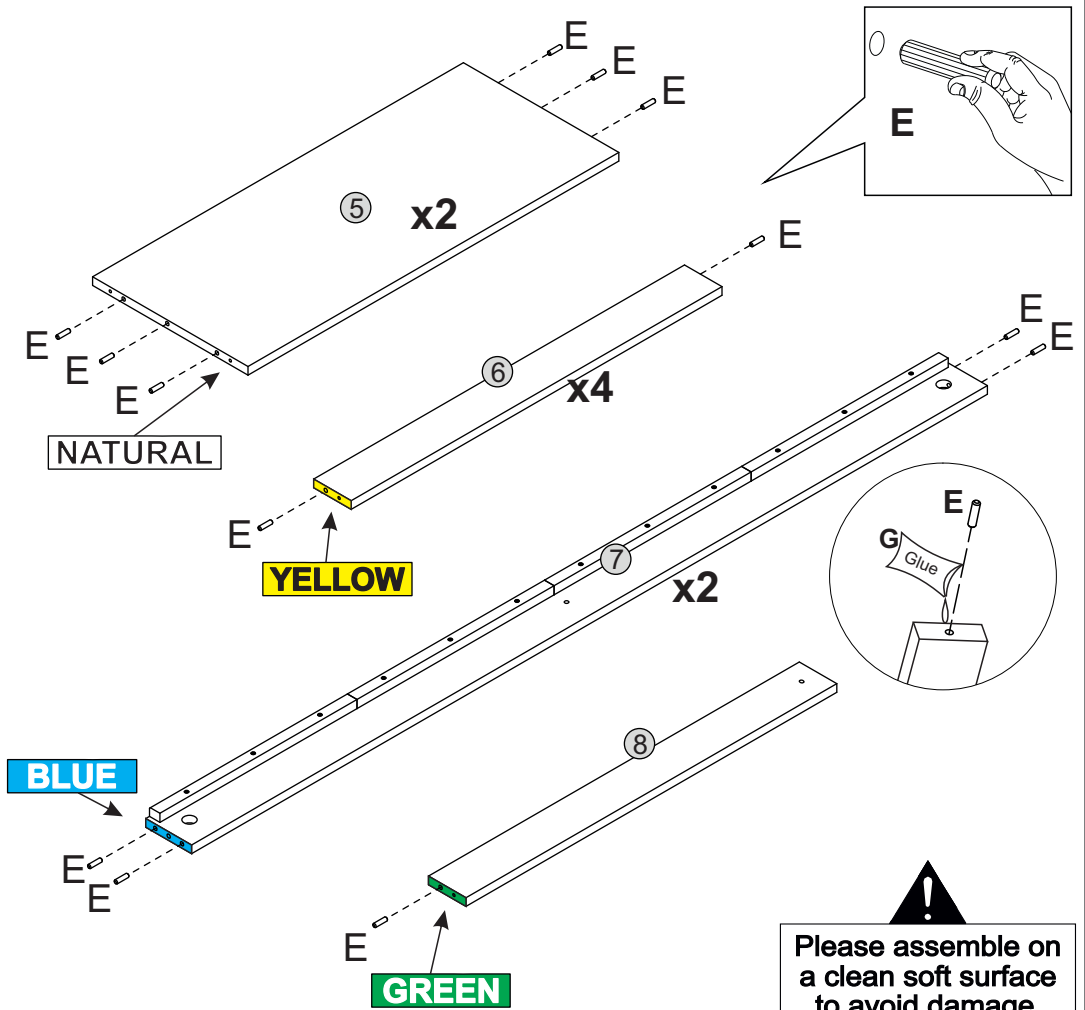
PARTS REQUIRED

5 - HEADBOARD PANEL	x2
6 - TOP HEADBOARD CROSSBAR	x2
7 - SIDE RAIL	x2
8 - FRONT SAFETY RAIL	x1

HARDWARE REQUIRED

E	 Ø8 x 30mm	29
G		02

TOOLS REQUIRED




STEP 2

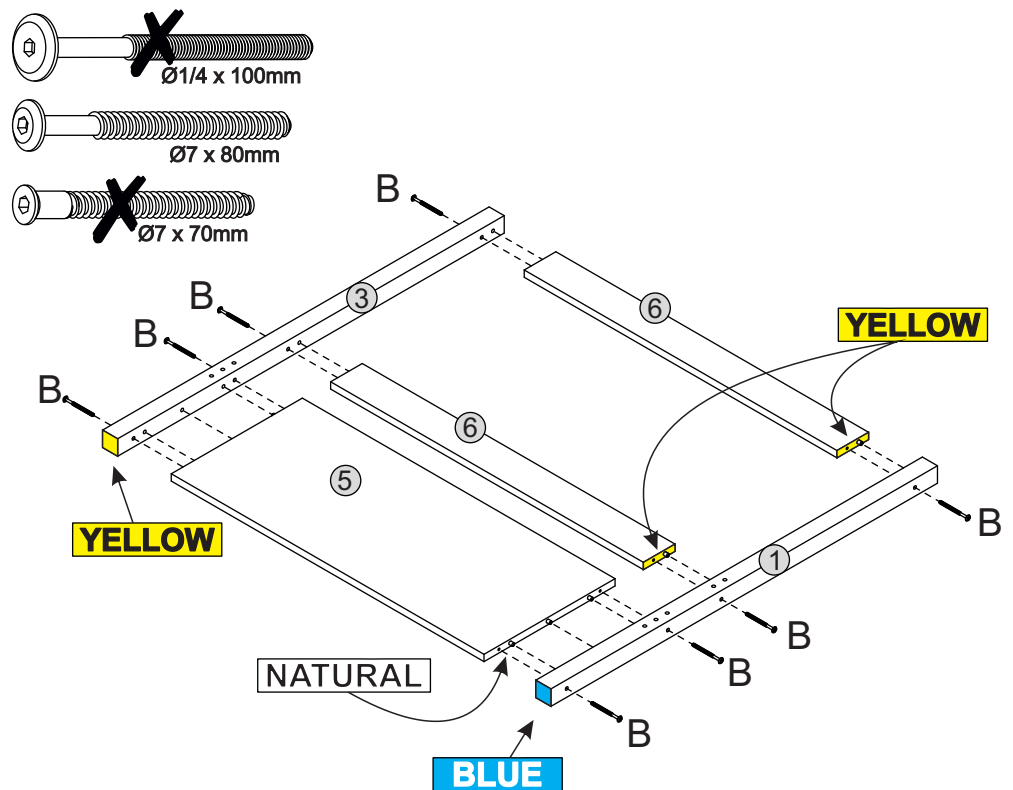
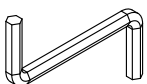
PARTS REQUIRED

1 - RIGHT FRONT HEADBOARD POST (BLUE) x1	
3 - RIGHT BACK HEADBOARD POST (YELLOW) x1	
5 - HEADBOARD PANEL	x1
6 - TOP HEADBOARD CROSSBAR	x2

HARDWARE REQUIRED

B	 Ø7 x 80mm	08
---	---	----

TOOLS REQUIRED



Please assemble on a clean soft surface to avoid damage.

STEP 3

PARTS REQUIRED


2 - LEFT FRONT HEADBOARD POST (RED) x1

4 - LEFT BACK HEADBOARD POST (BLACK) x1

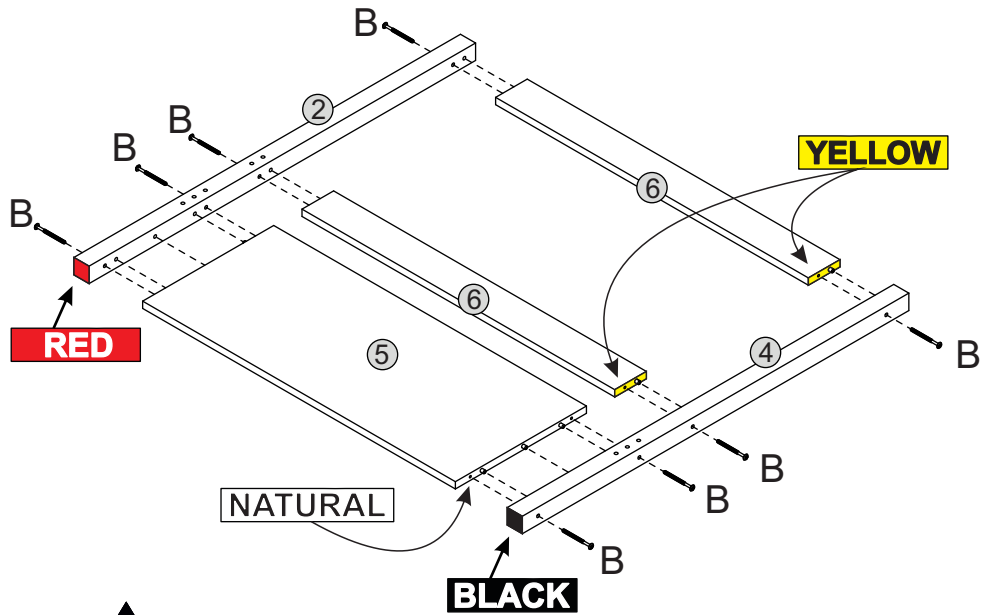
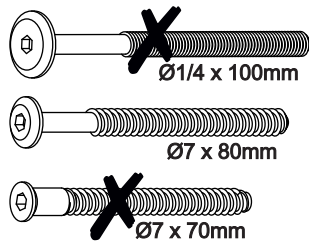
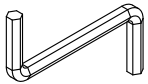
5 - HEADBOARD PANEL x1

6 - TOP HEADBOARD CROSSBAR x2

HARDWARE REQUIRED

B  08
Ø7 x 80mm

TOOLS REQUIRED

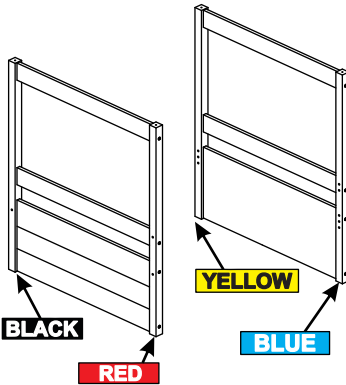


!
Please assemble on a clean soft surface to avoid damage.


STEP 4

PARTS REQUIRED

7 - SIDE RAIL x2

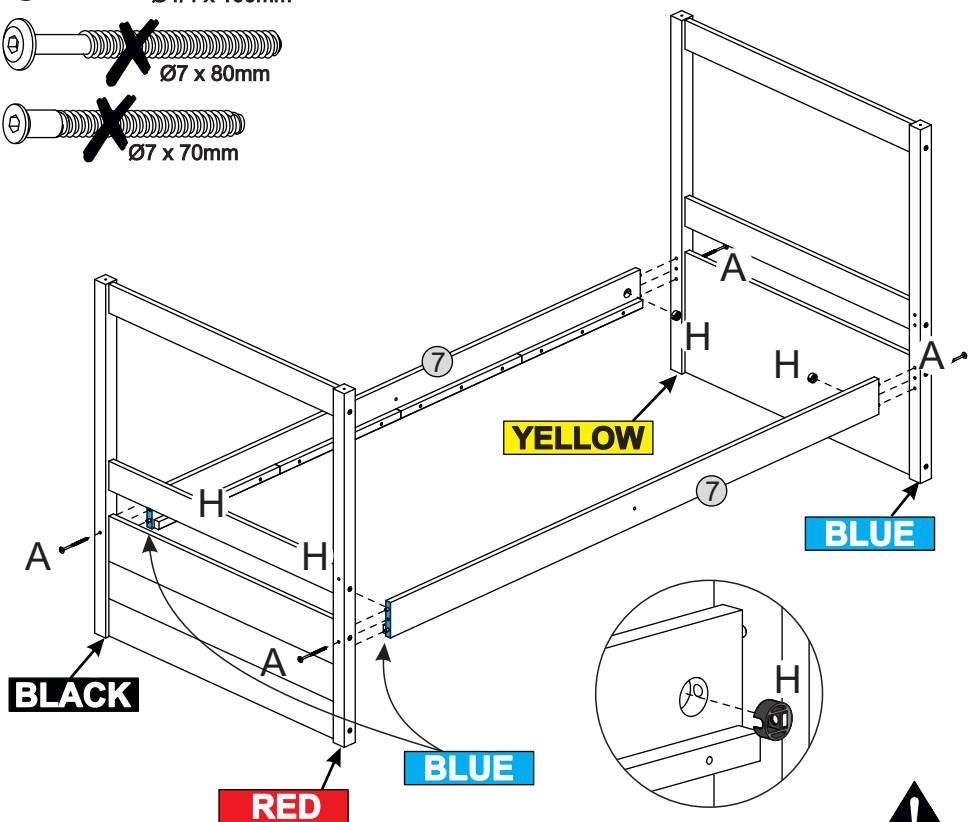
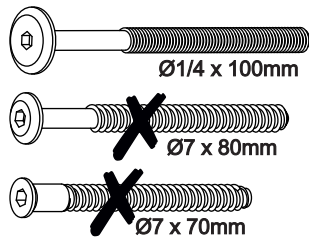
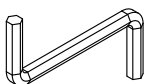


HARDWARE REQUIRED

A  04
Ø1/4 x 100mm

H  04

TOOLS REQUIRED

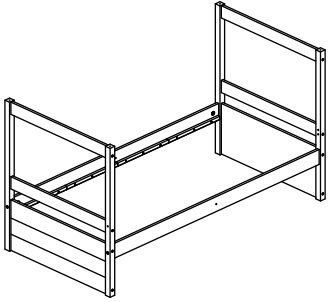


!
Please assemble on a clean soft surface to avoid damage.

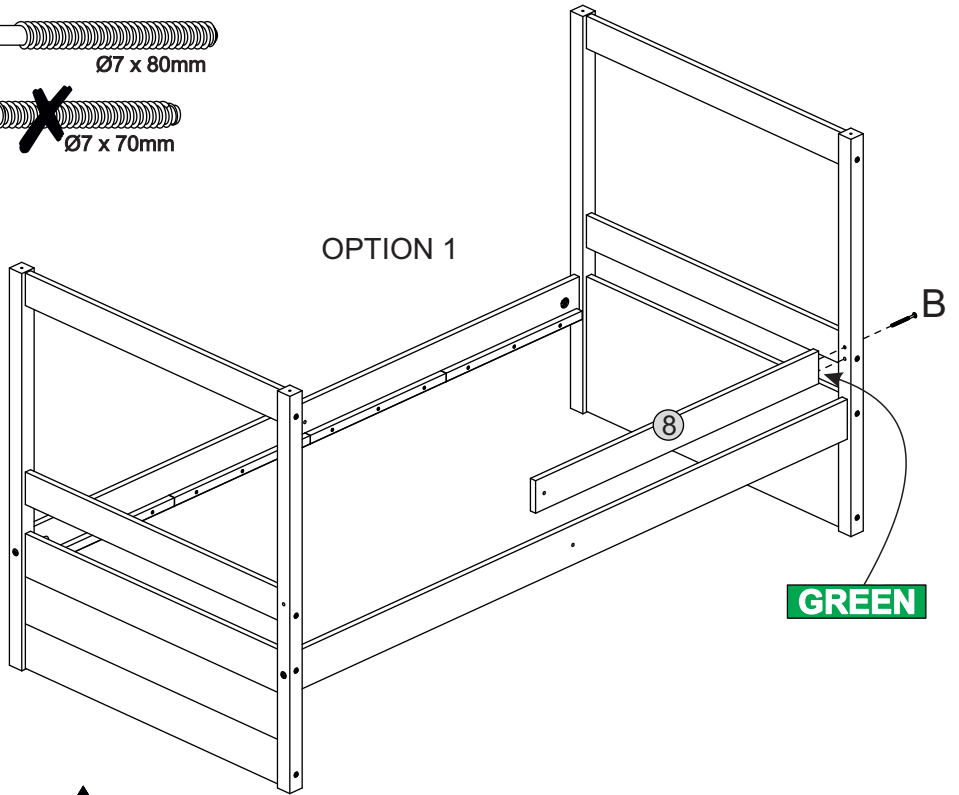
STEP 5

PARTS REQUIRED

8 - FRONT SAFETY RAIL x1



OPTION 1

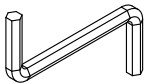


Please assemble on a clean soft surface to avoid damage.

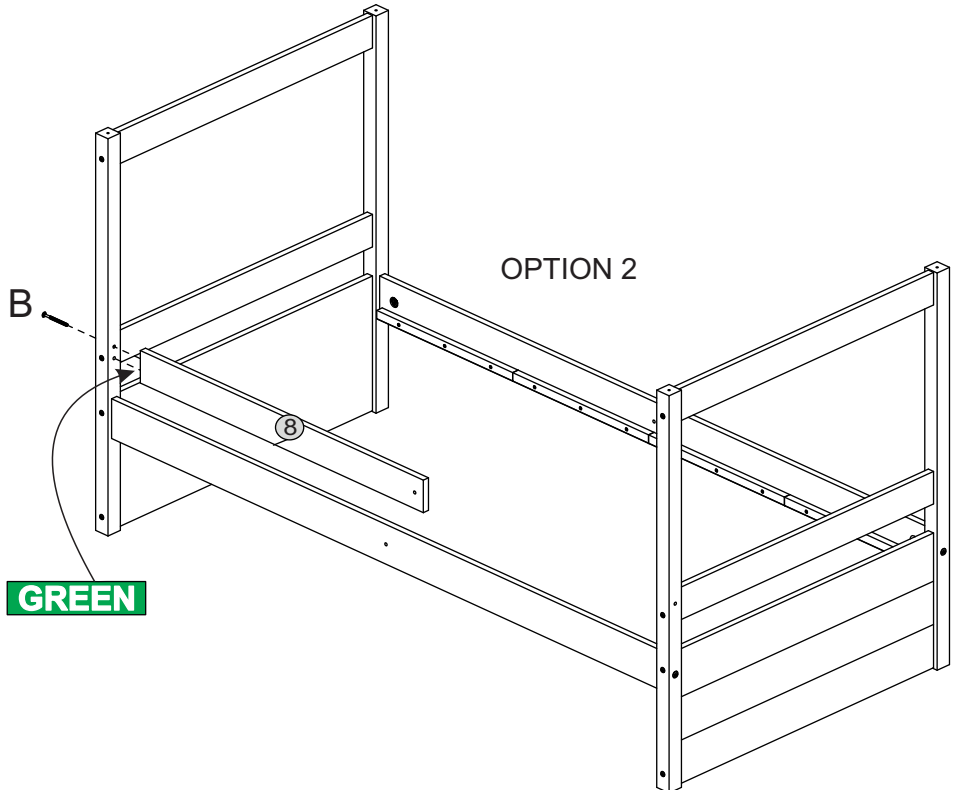
HARDWARE REQUIRED

B		01
---	---	----

TOOLS REQUIRED



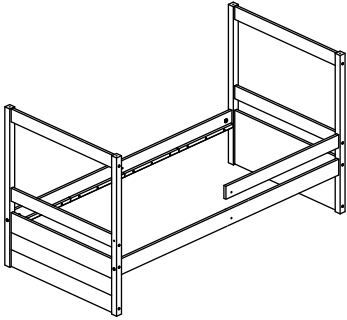
OPTION 2



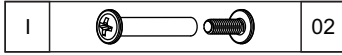
STEP 6

PARTS REQUIRED

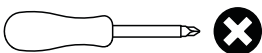
11 - FRONT SAFETY SUPPORT x1



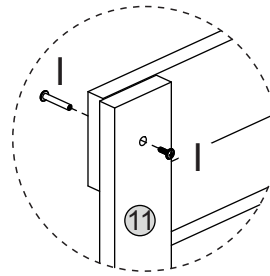
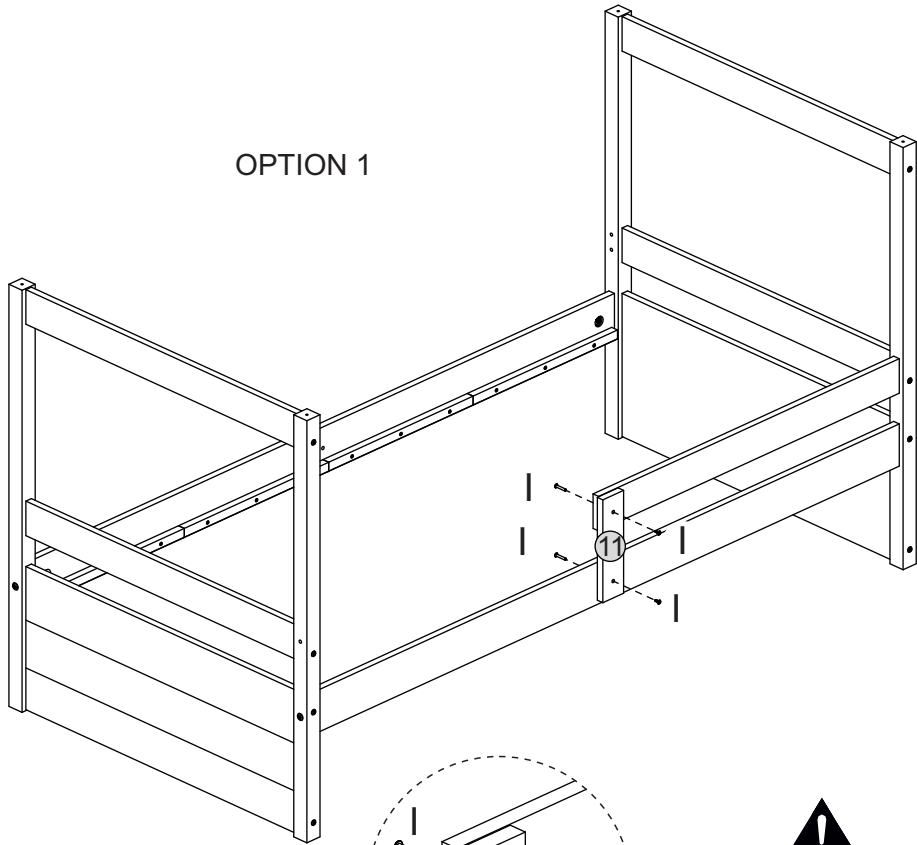
HARDWARE REQUIRED



TOOLS REQUIRED

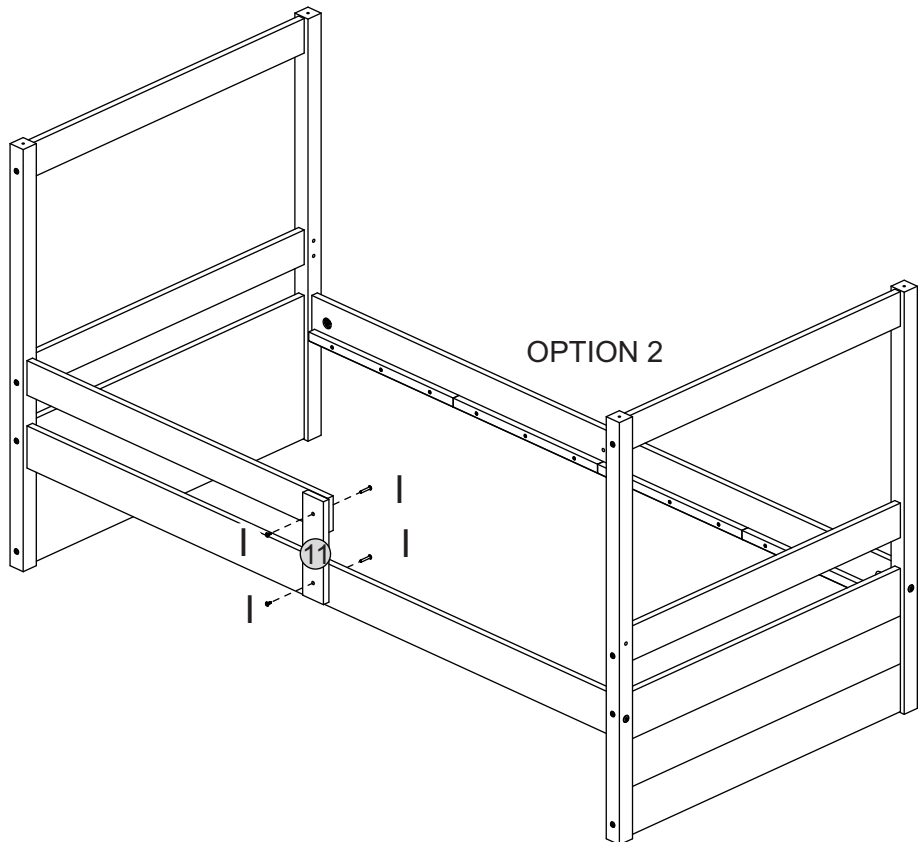


OPTION 1




Please assemble on
a clean soft surface
to avoid damage.

OPTION 2

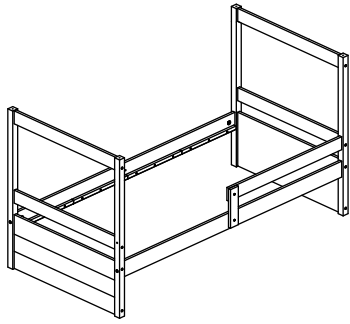


STEP 7

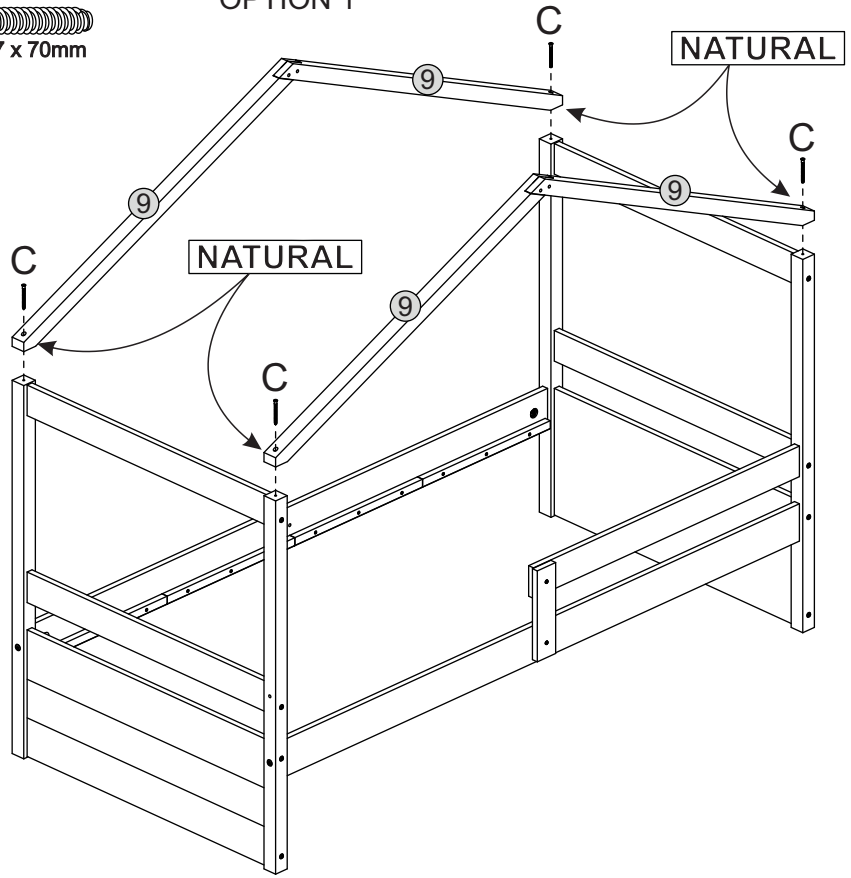
PARTS REQUIRED

09 - ROOF SUPPORT

x4



OPTION 1



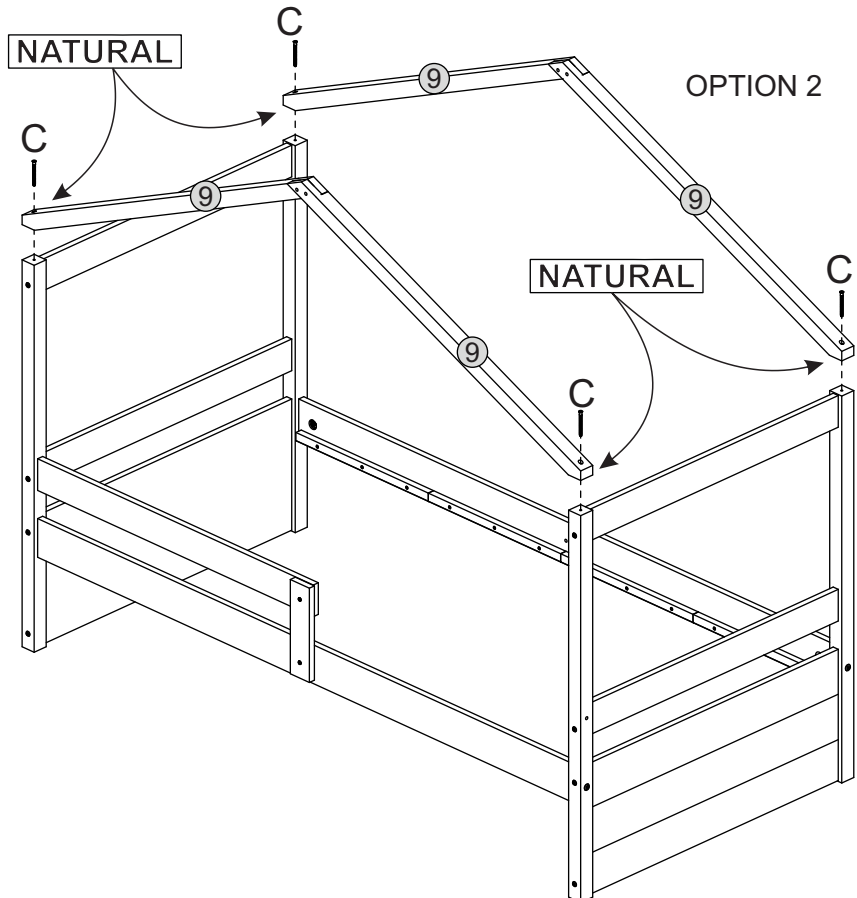
HARDWARE REQUIRED

C

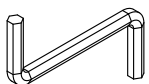


04

OPTION 2



TOOLS REQUIRED




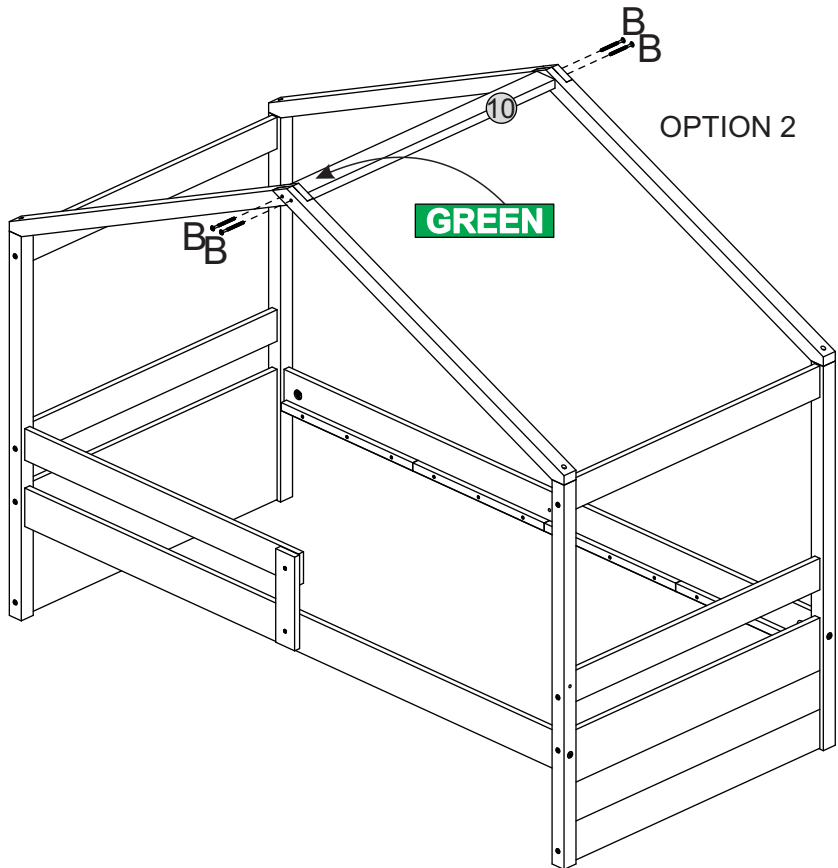
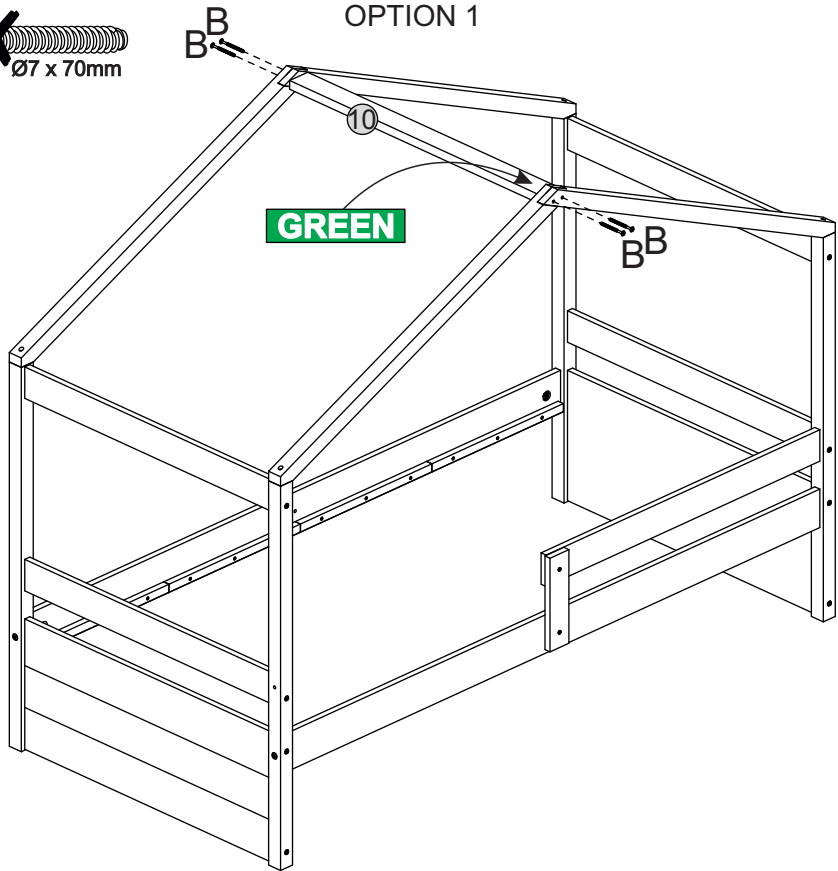
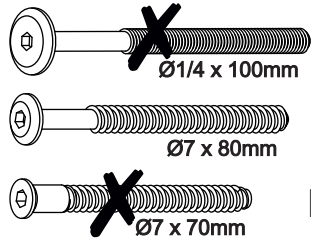
STEP 8

PARTS REQUIRED

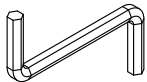
10 - ROOF CENTER CROSSBAR x1

HARDWARE REQUIRED

B			04
<small>Ø7 x 80mm</small>			



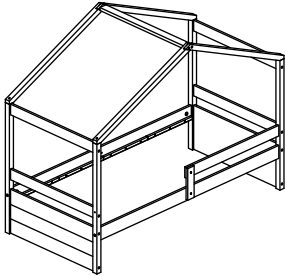
TOOLS REQUIRED



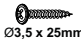
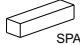
STEP 9

PARTS REQUIRED

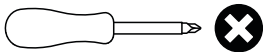
12 - SLATS x14



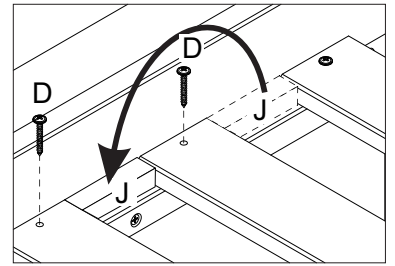
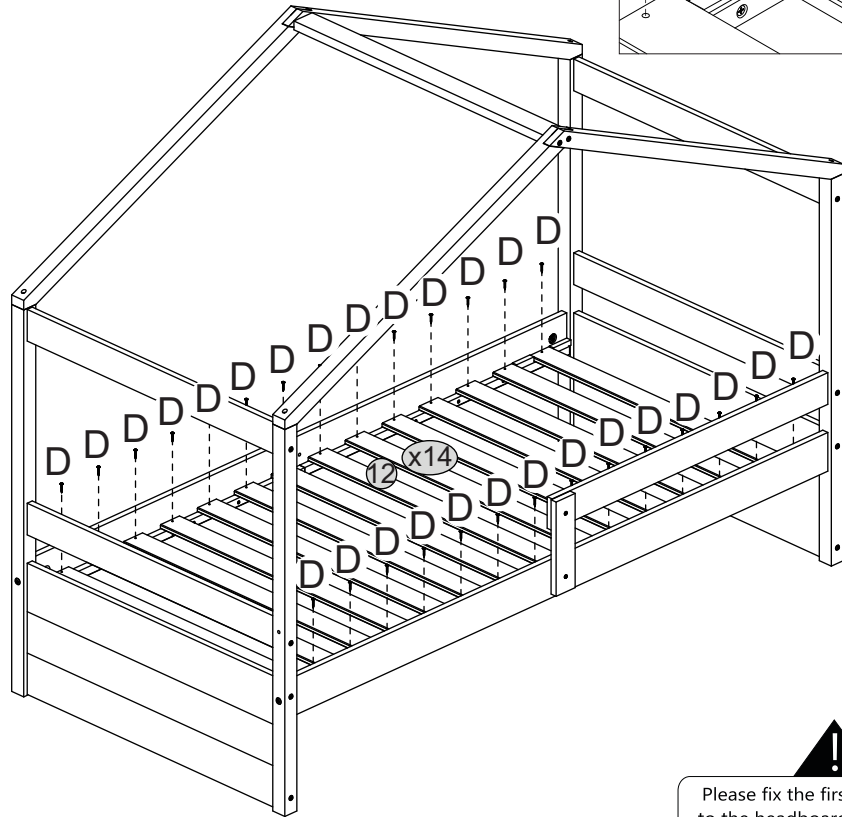
HARDWARE REQUIRED

D	 Ø3,5 x 25mm	28
J	 62x20x20mm SPACER	02

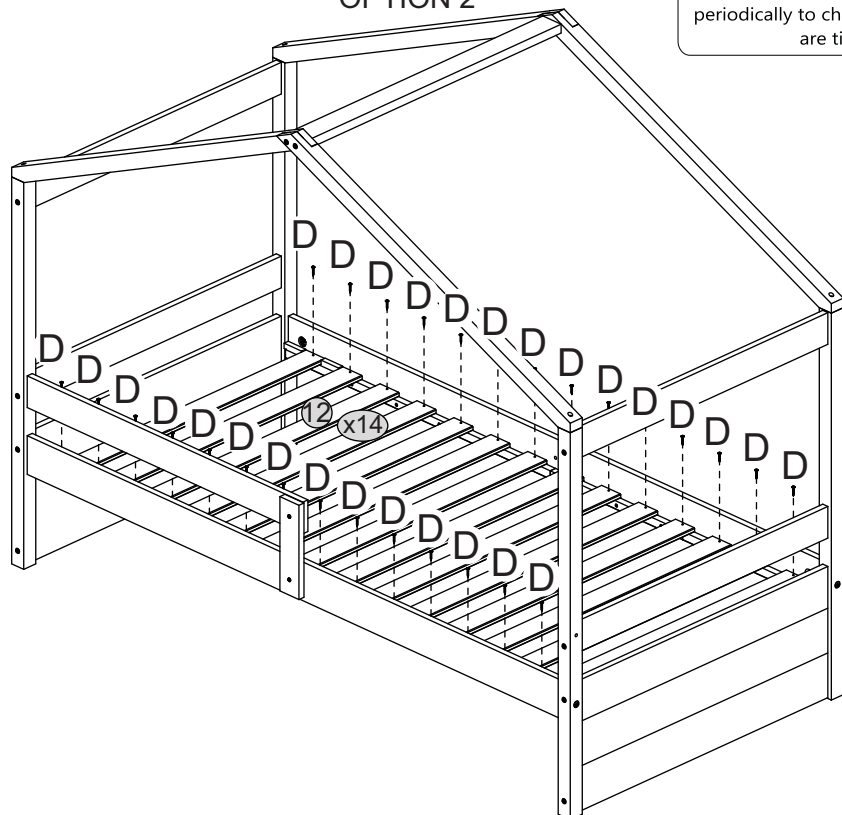
TOOLS REQUIRED



OPTION 1



OPTION 2



!
Please fix the first slats adjacent to the headboard and footboard and work towards the middle of the bunk bed using the Spacer as shown to ensure correct spacing. Fix all the slats to one siderail first then push the second siderail tight against the slats and fix. Please retain the Allen Key and use periodically to check that all bolts are tight.