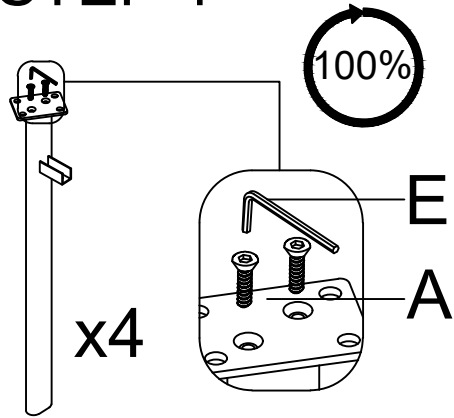


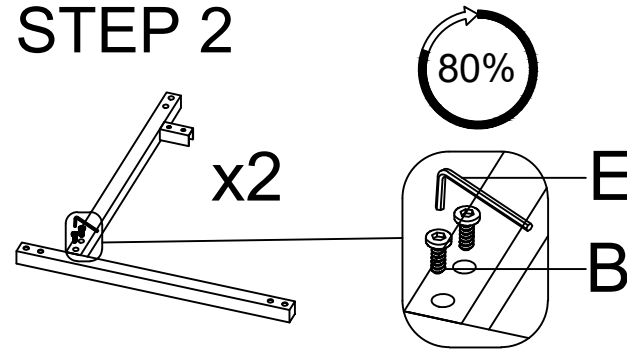
ASSEMBLY INSTRUCTION

At least 2 people are required for product assembly

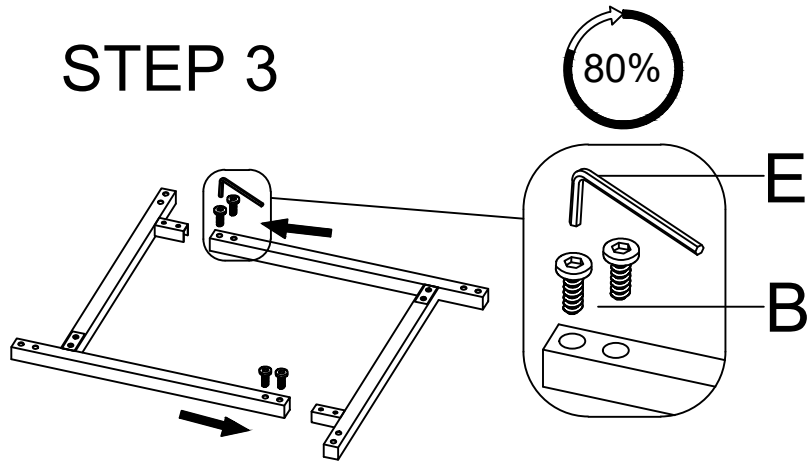
STEP 1



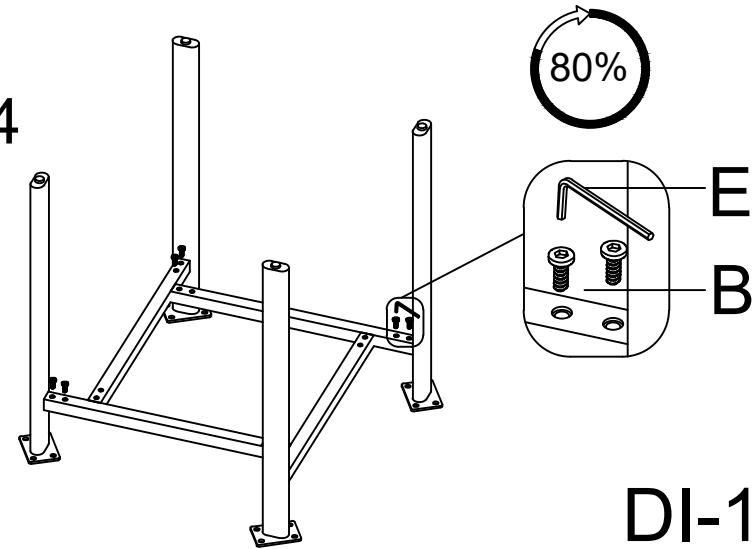
STEP 2







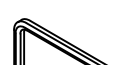


STEP 3



STEP 4



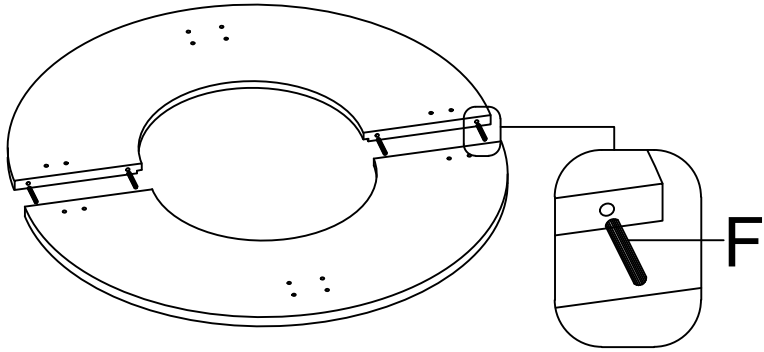
DI-131-2

A  M8*25mm 8pcs	B  M8*10mm 16pcs	C  ϕ 16*1.5mm 16pcs	D  M8*20mm 16pcs	E  M5 1pc	F  ϕ 8*40mm 4pcs
G  ϕ 22*15*5mm 4pcs					

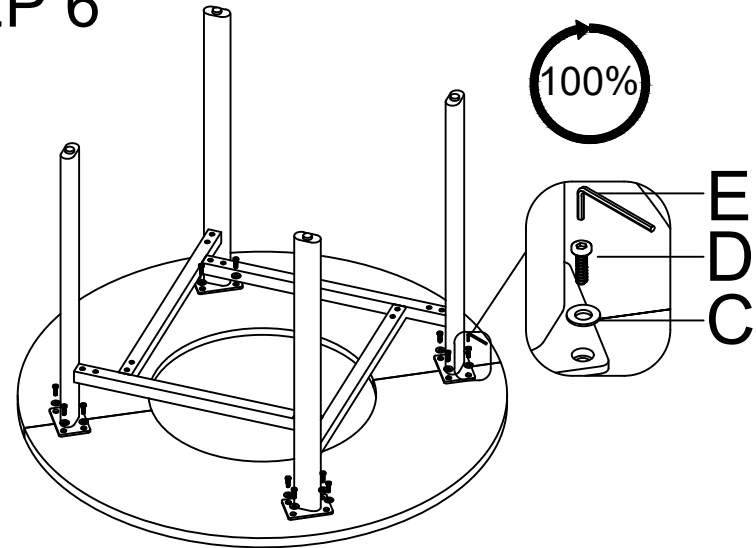
ASSEMBLY INSTRUCTION

At least 2 people are required for product assembly

STEP 5

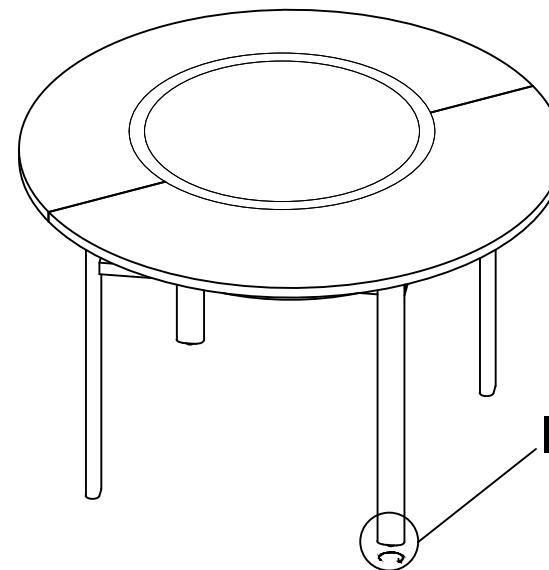
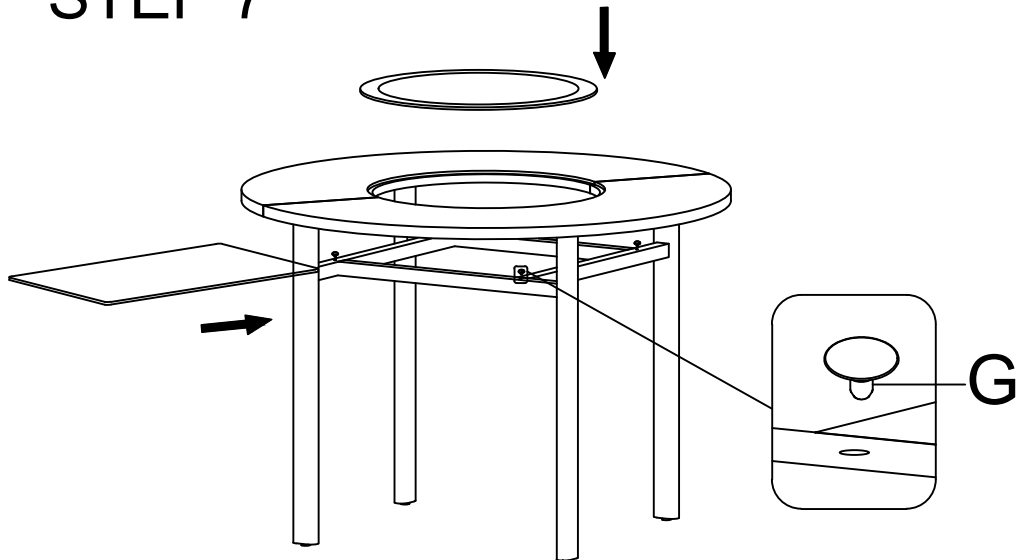


STEP 6



All screws need to be tightened 100%

STEP 7



DI-131-2