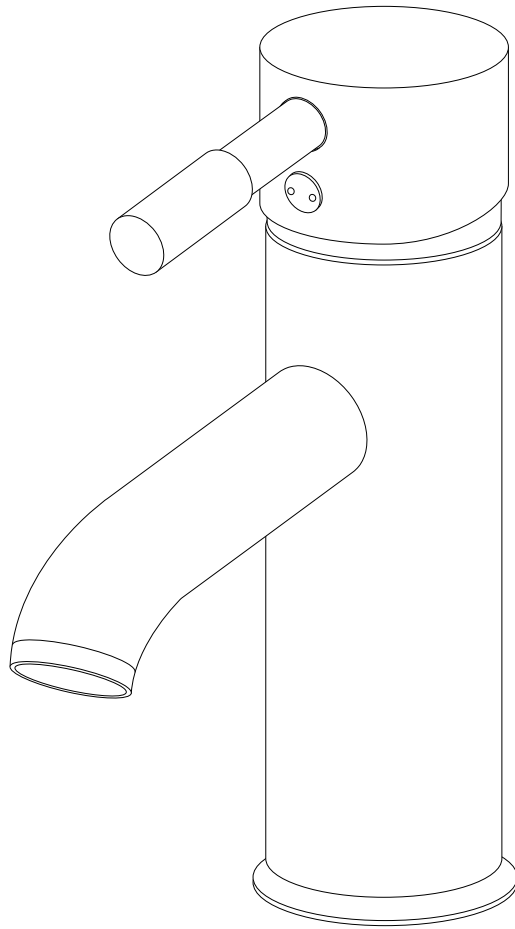
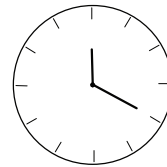
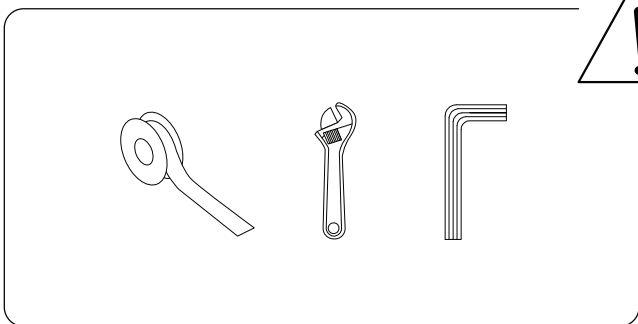
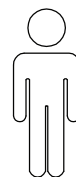
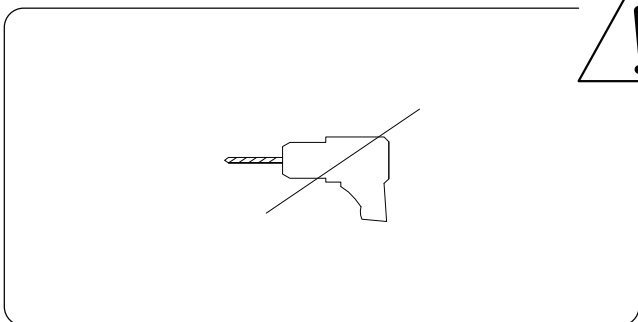


# RUSUMO

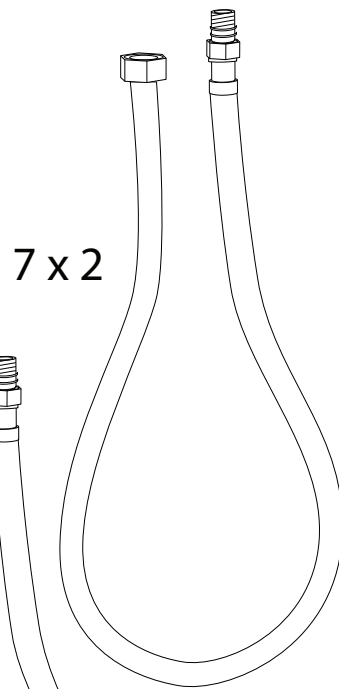
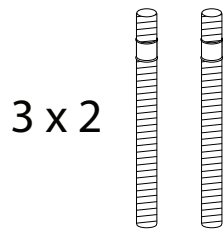
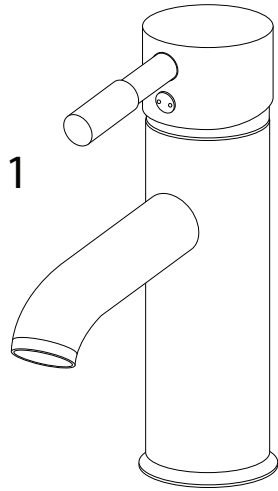


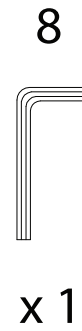
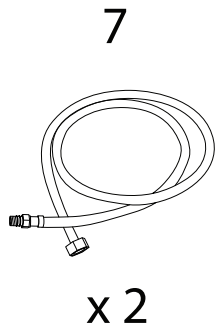
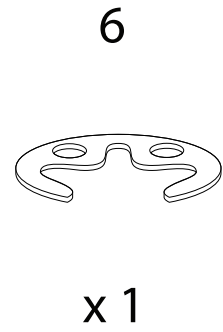
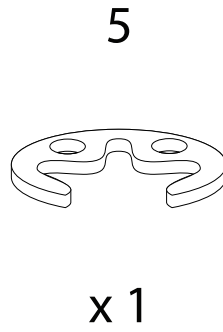
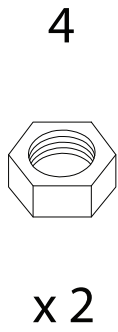
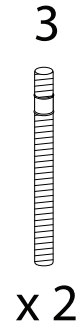
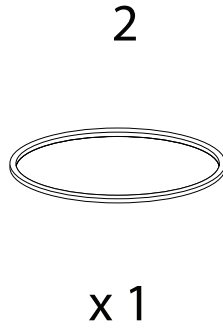
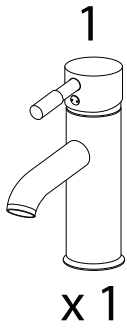


20'

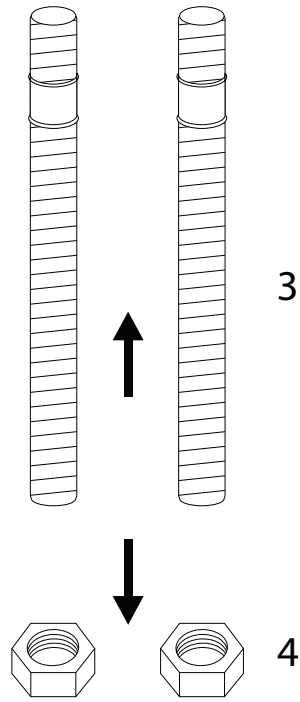


1

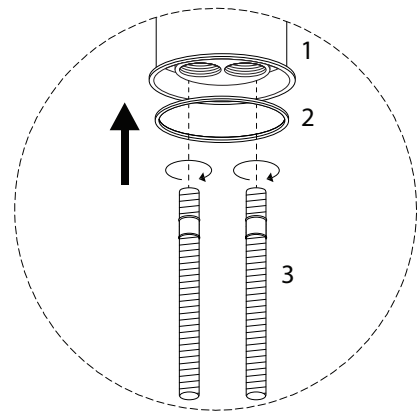
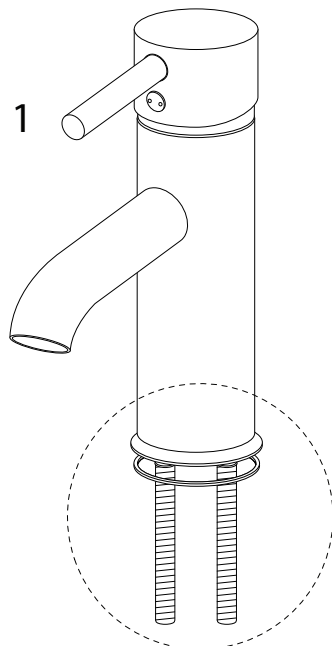
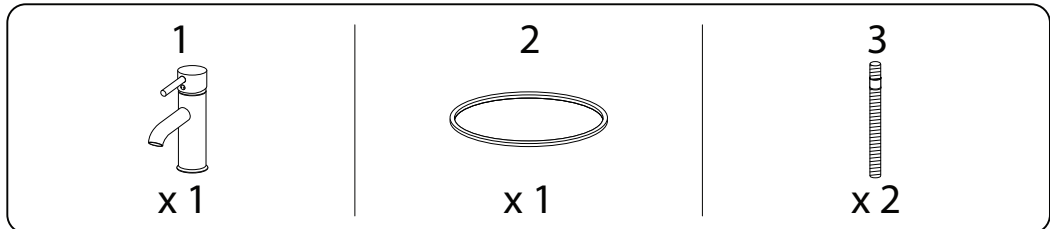




1



2

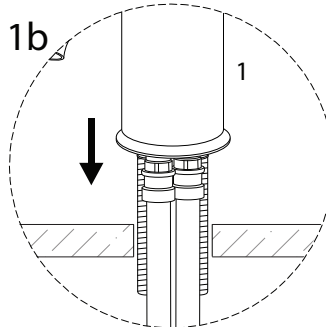
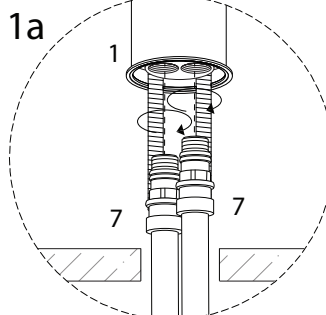
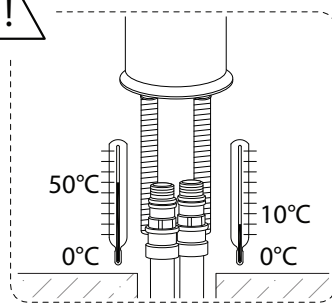
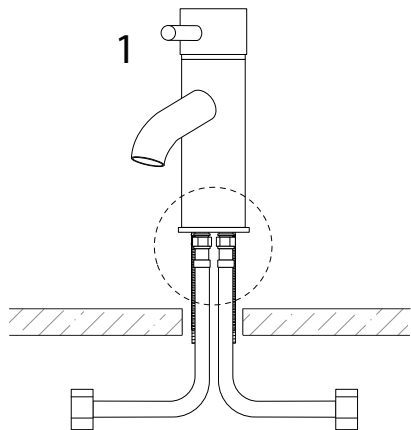


3

7



x 2



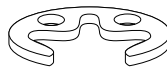
4

4



x 2

5

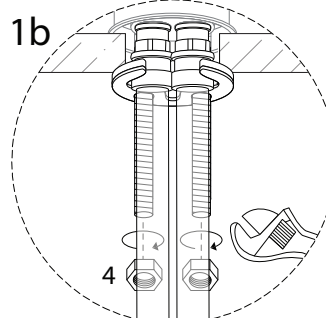
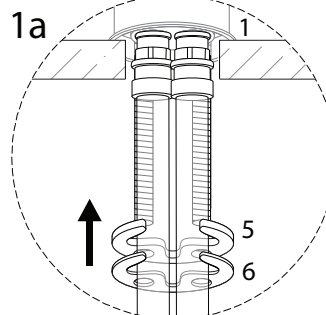
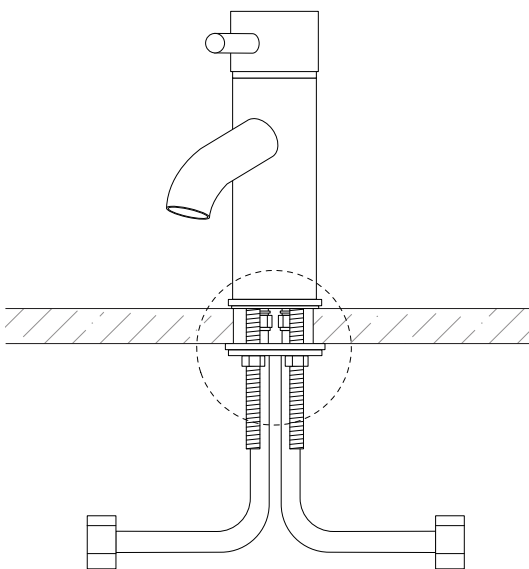


x 1

6



x 1



!

