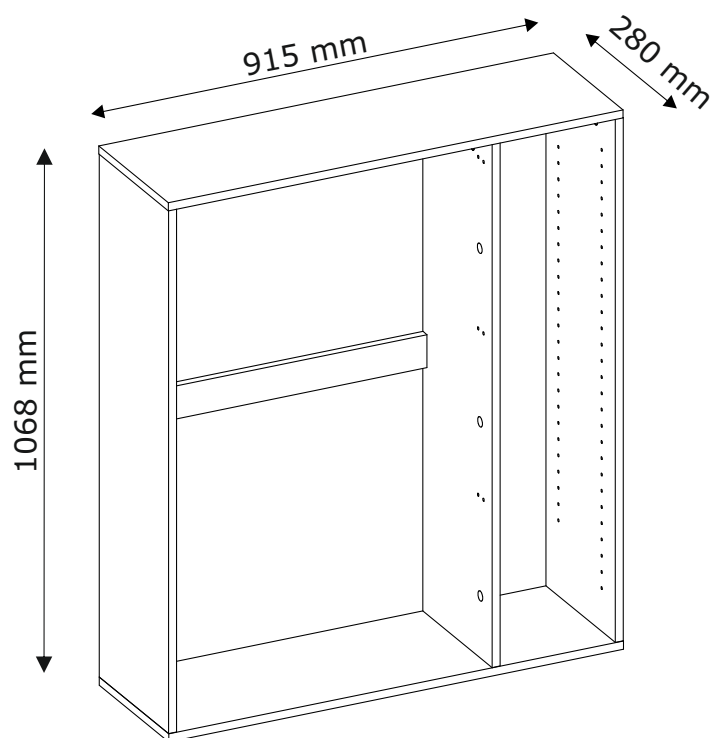
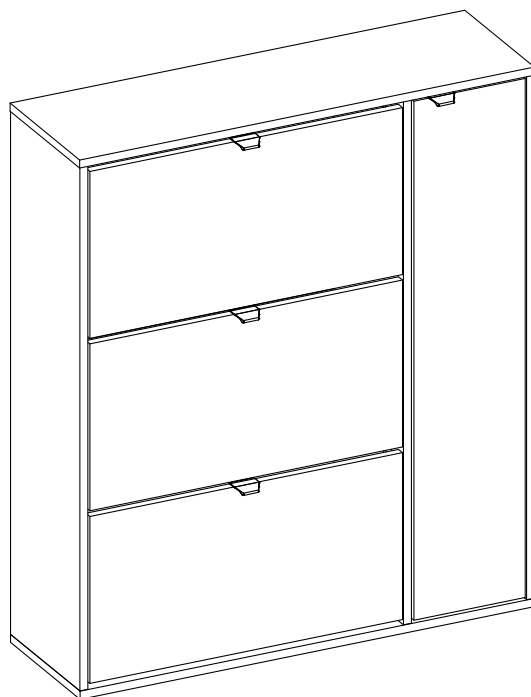
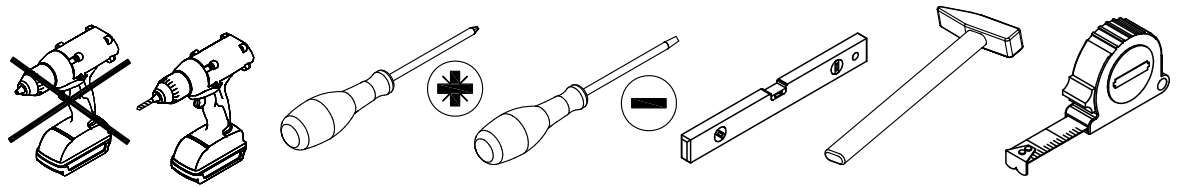
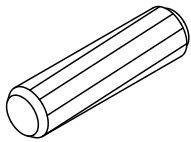
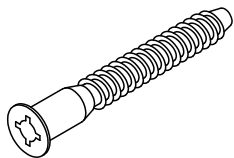

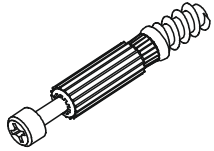
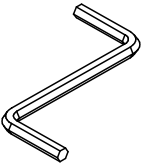

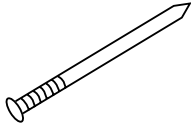
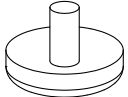
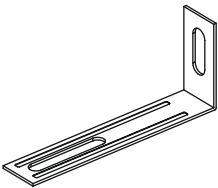
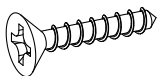
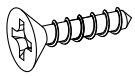
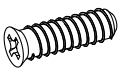
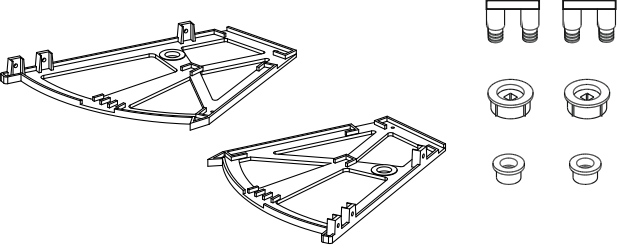
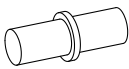
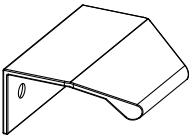
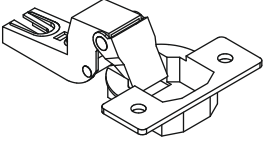
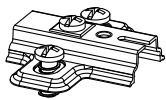
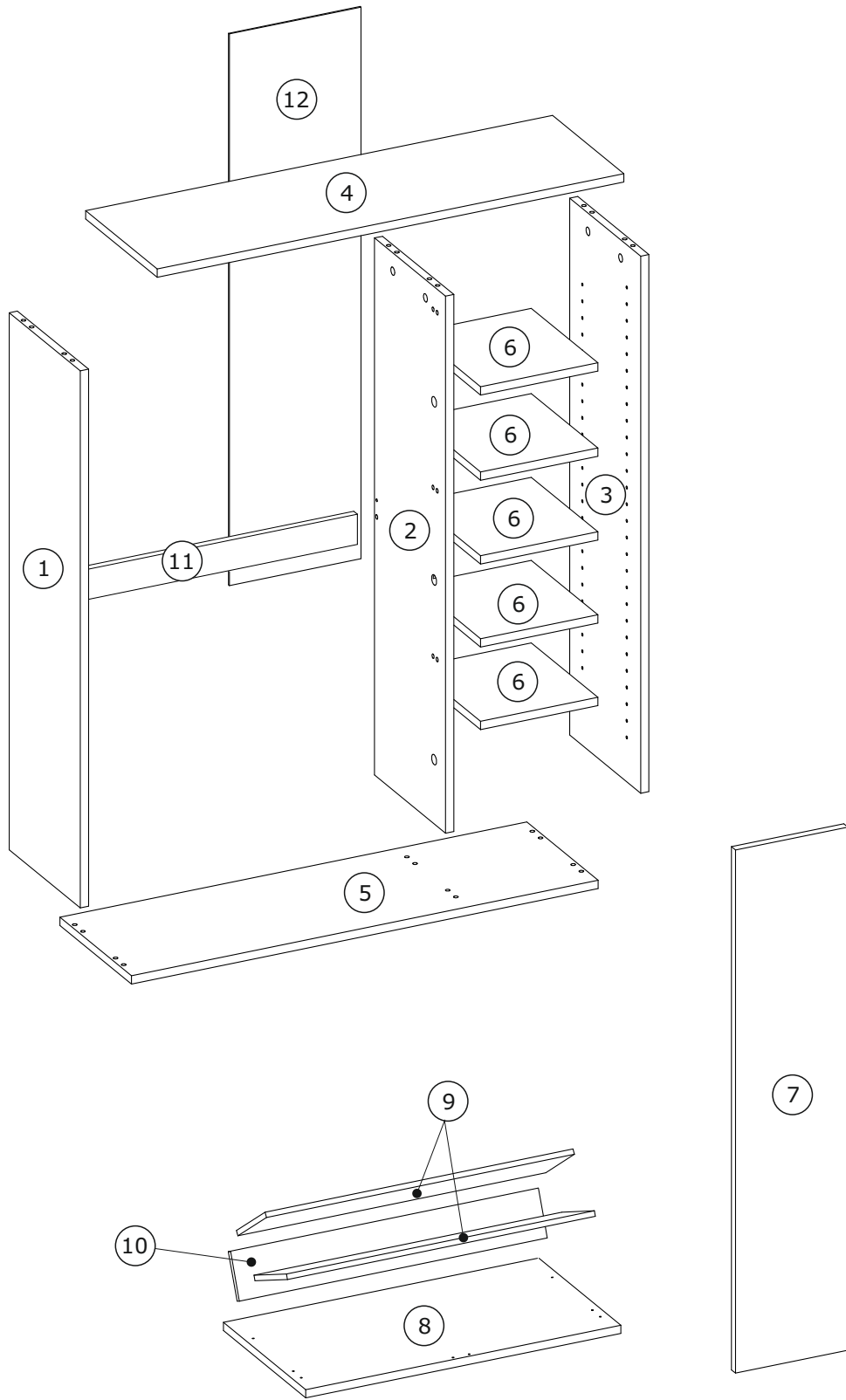


# Szafka na buty 1D3K

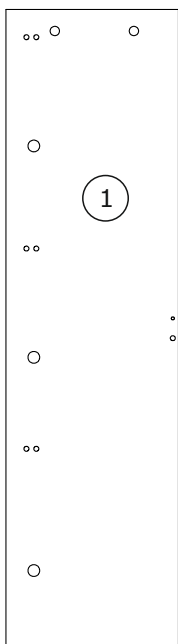




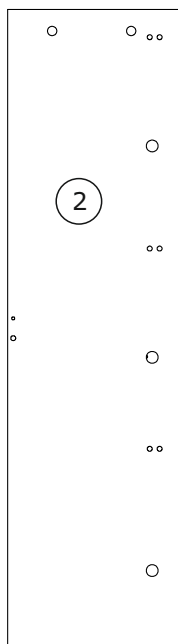
<p>A x 14</p>  <p>Ø8x35 mm</p>	<p>B x 6</p>  <p>Ø7x50 mm</p>	<p>C x 8</p>  <p>Ø15x12 mm</p>	<p>D x 8</p>  <p>Ø5x44 mm</p>
<p>E x 1</p>  <p>4 mm</p>	<p>F x 6</p>  <p>20 mm</p>	<p>G x 20</p>  <p>1,2x25 mm</p>	<p>G3 x 6</p> 
<p>I x 1</p> 	<p>J x 31</p>  <p>3,5x16 mm</p>	<p>J1 x 18</p>  <p>3,5x13 mm</p>	<p>M1 x 6</p>  <p>Ø6,3x20 mm</p>
<p>N8 x 3</p> 		<p>O x 20</p>  <p>Ø5mm</p>	<p>P x 4</p> 
<p>R x 2</p> 	<p>S x 2</p> 		



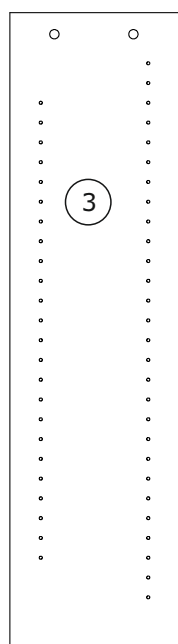
# BOX 1/1:



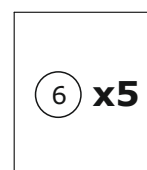
1031x279x16 mm



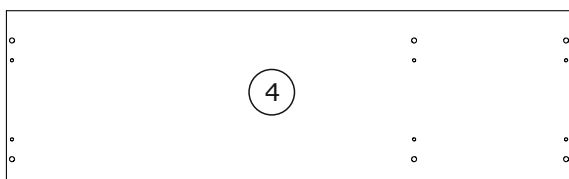
1031x279x16 mm



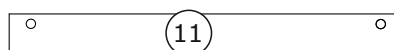
1031x279x16 mm



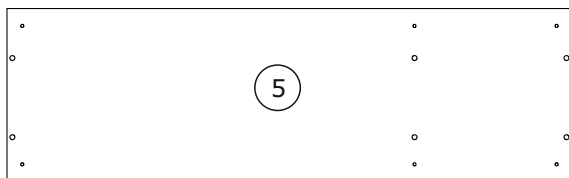
233x261x16 mm



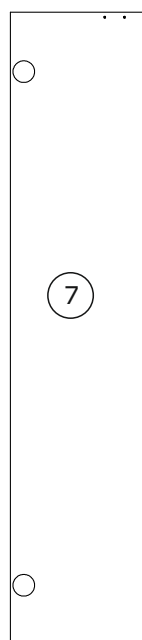
915x280x16 mm



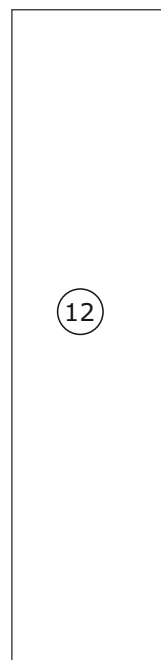
632x65x16 mm



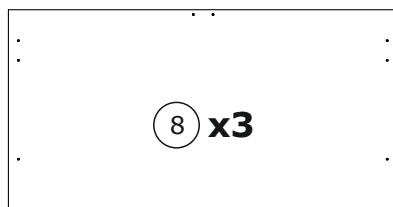
915x280x16 mm



1023x227x16 mm



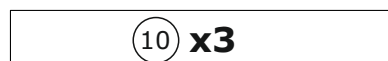
1059x261x3 mm



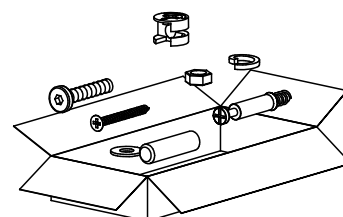
626x329x16 mm



623x140x10 mm

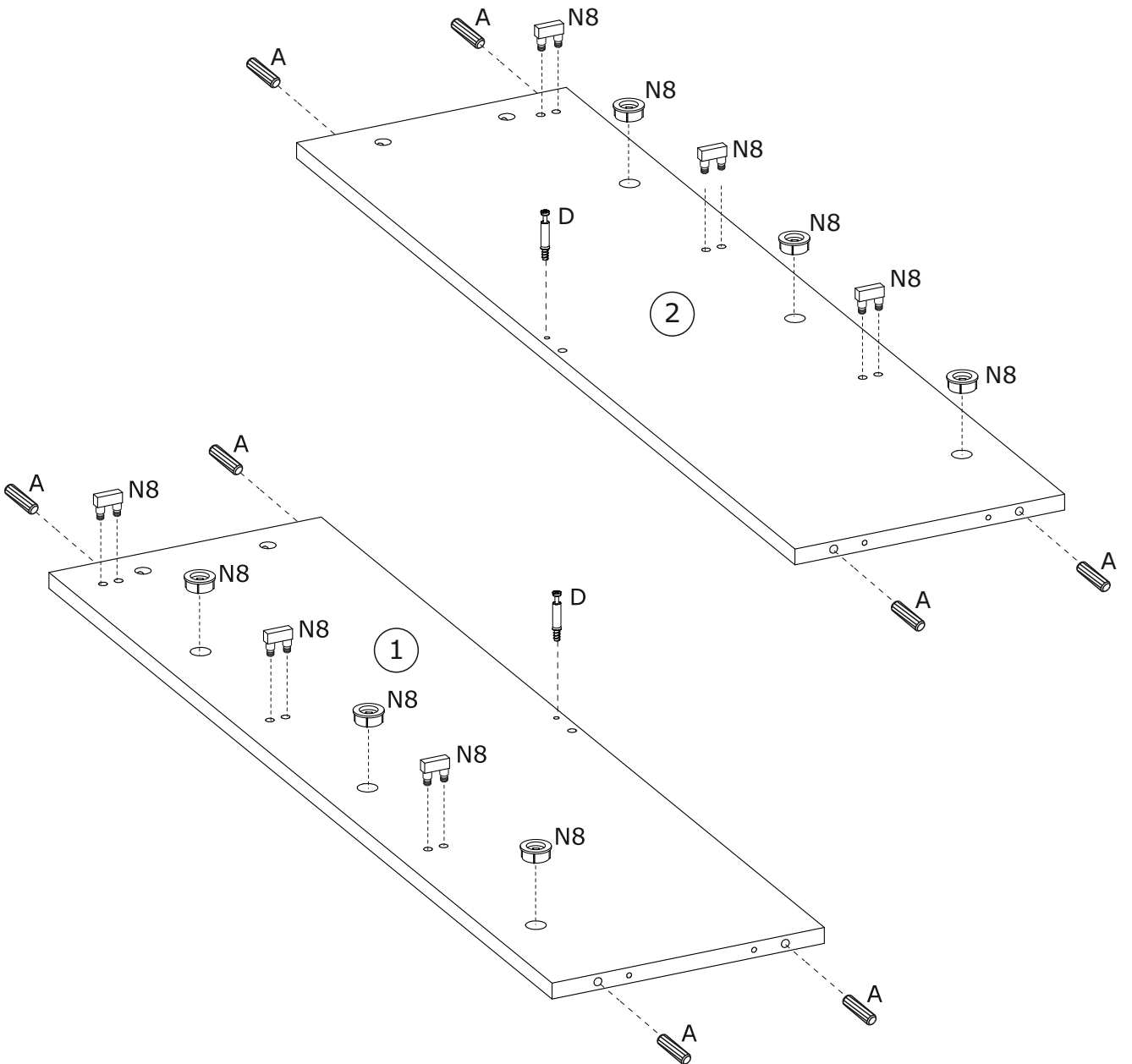
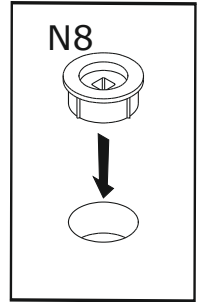
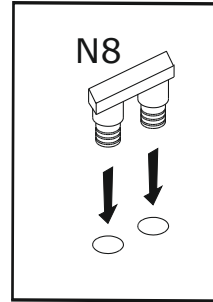
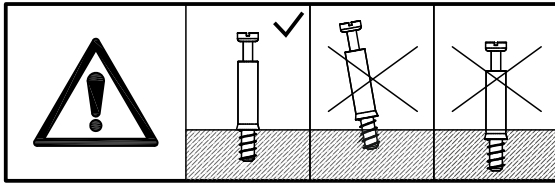
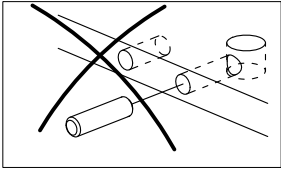
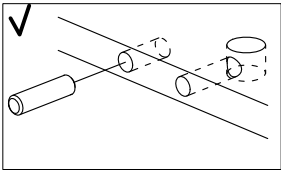


623x90x10 mm

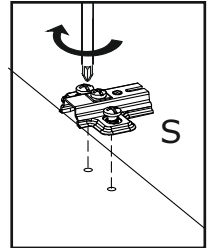
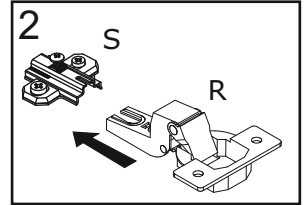
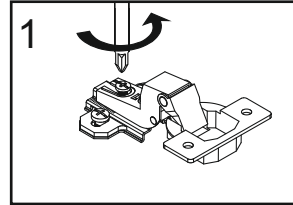
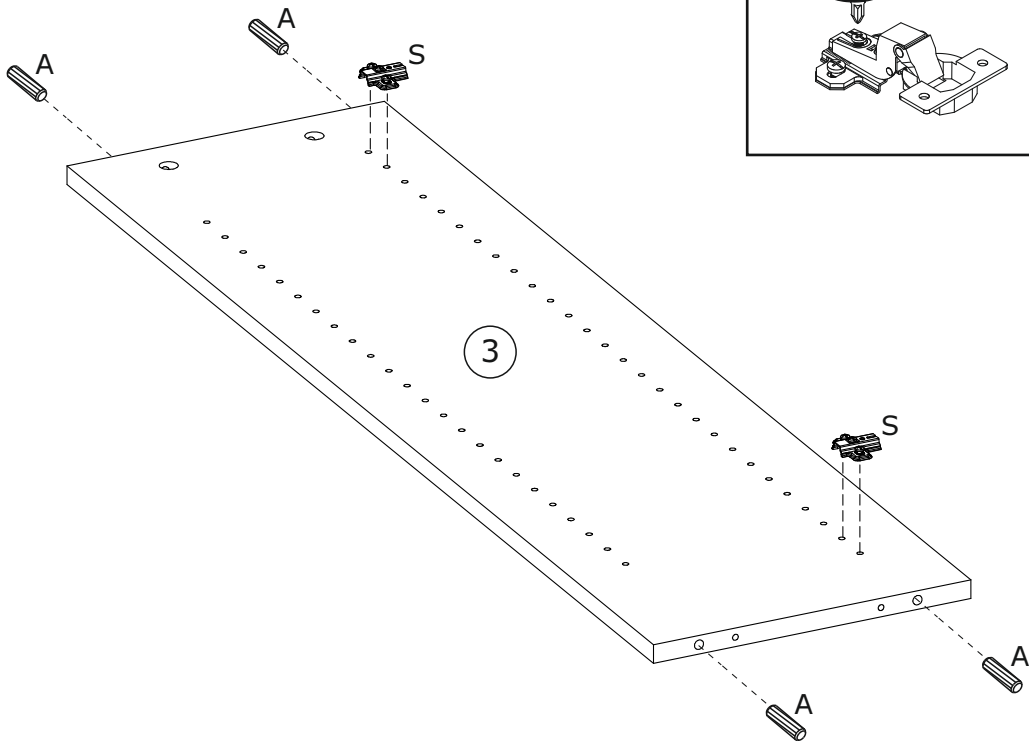


1

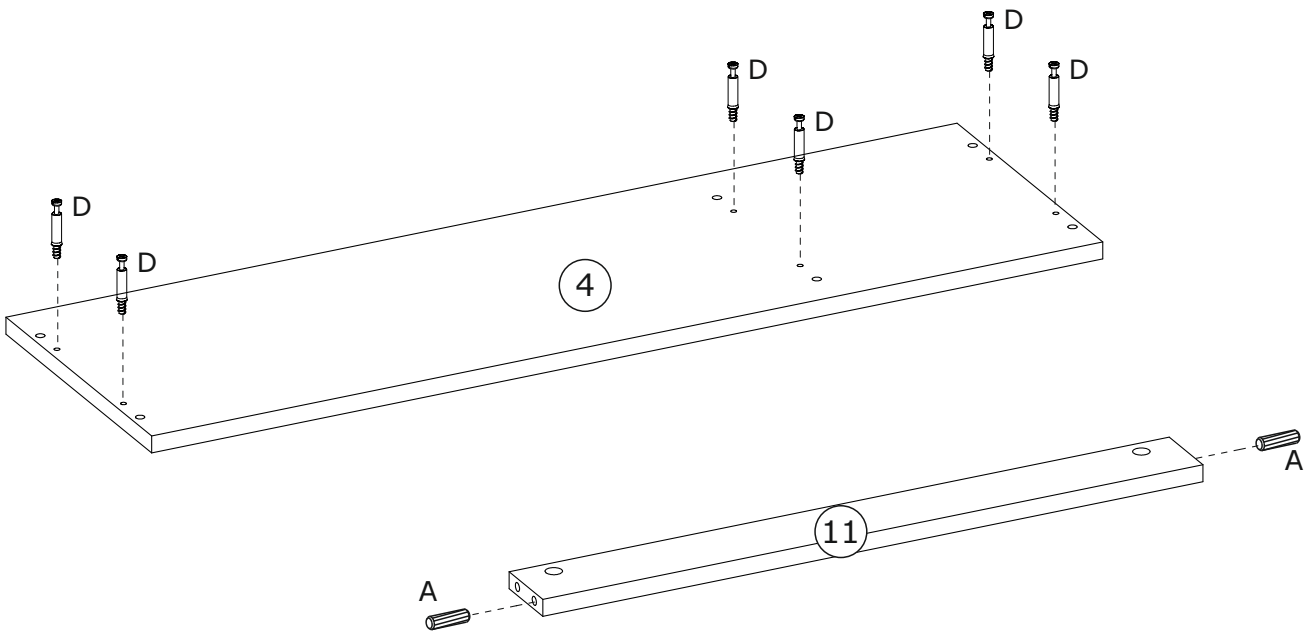
A x 8  Ø8x35 mm	D x 2  Ø5x44 mm	N8 x 3    	 
--	--	--	--



2

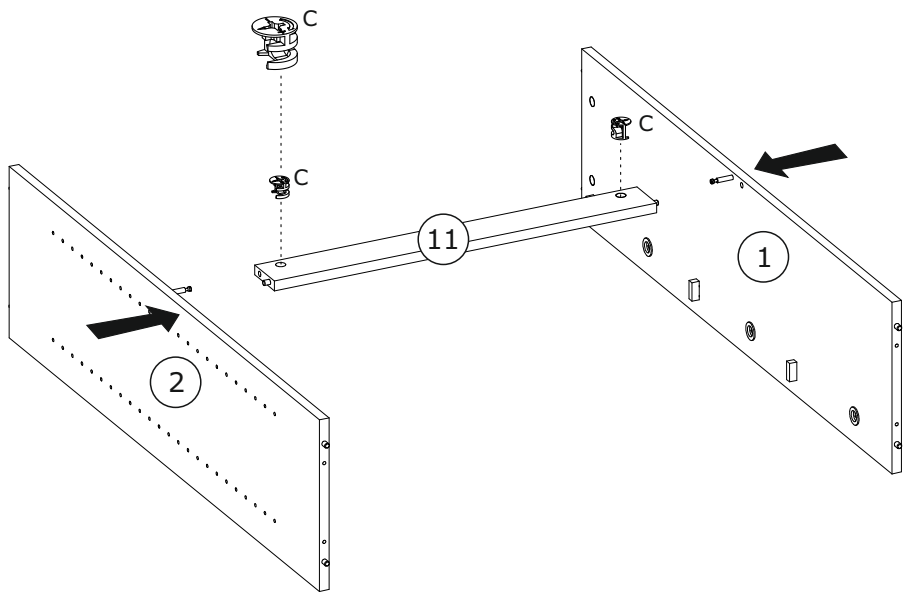
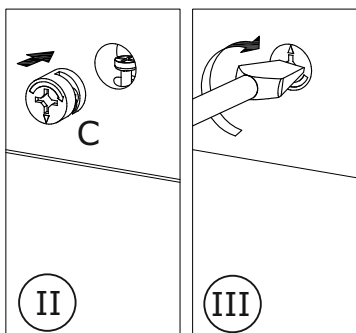
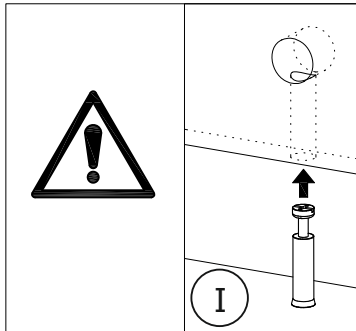
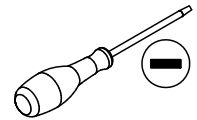


3



4

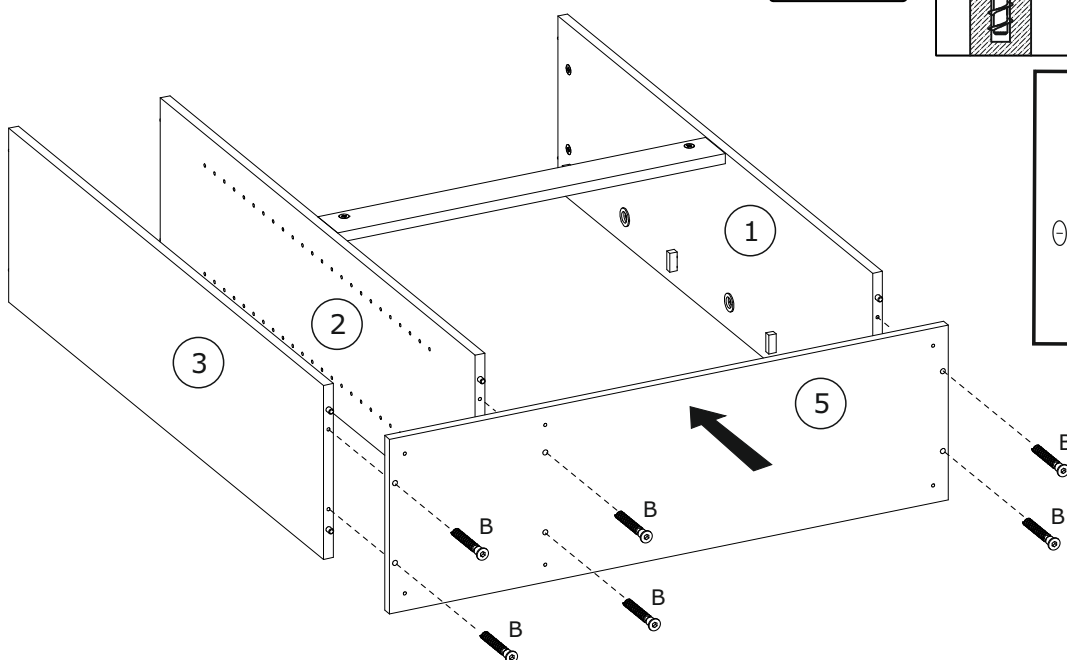
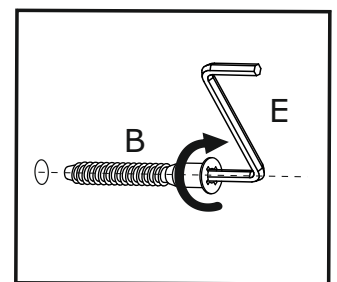
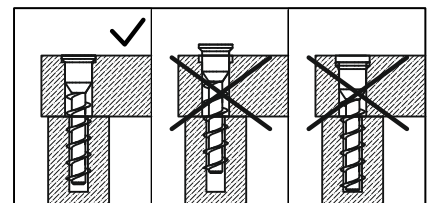
C x 2  
Ø15x12 mm



5

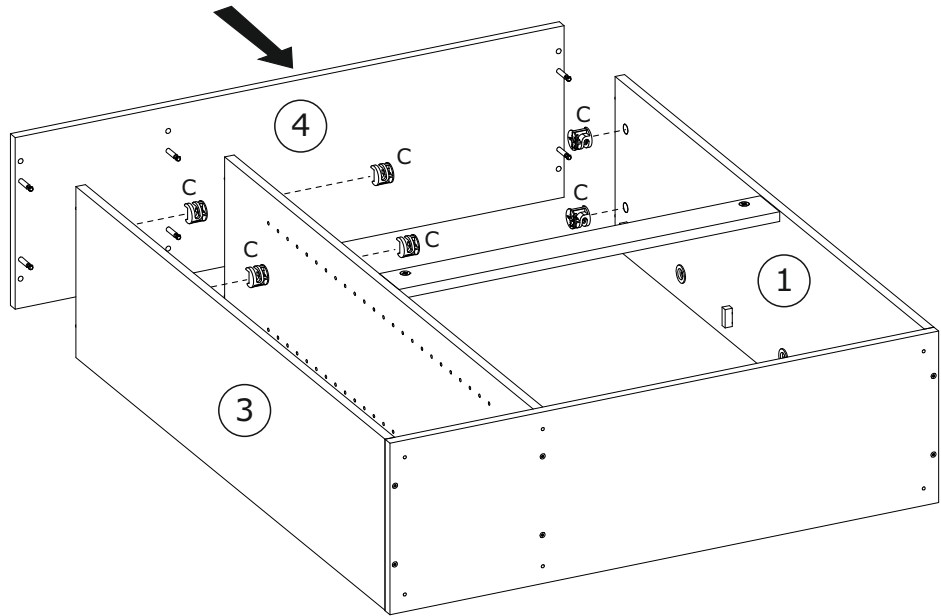
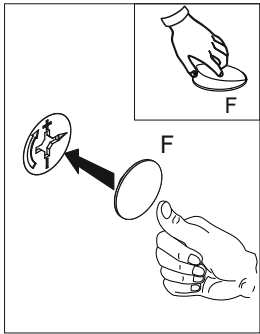
B x 6  
Ø7x50 mm

E x 1  
4 mm

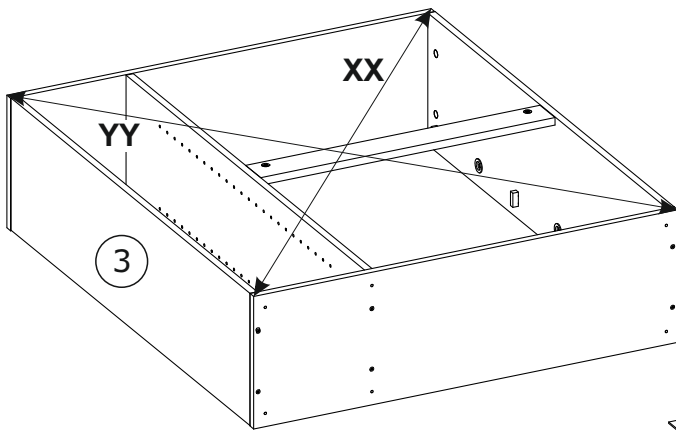
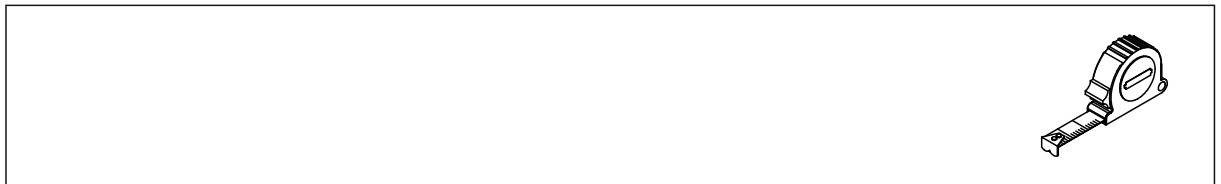



6

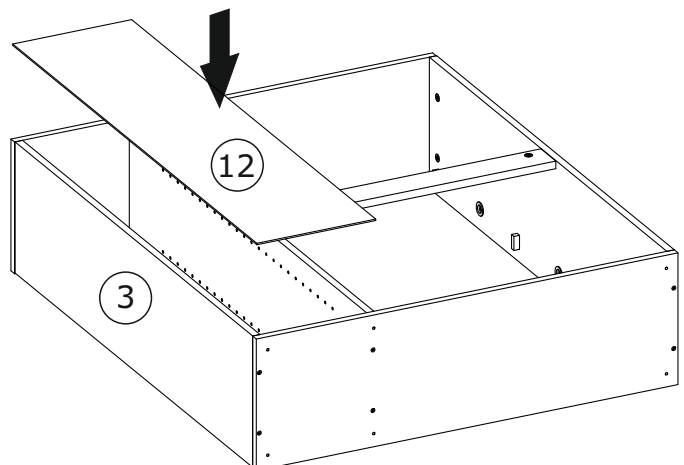
C x 6  Ø15x12 mm	F x 6  20 mm	
---	---	---



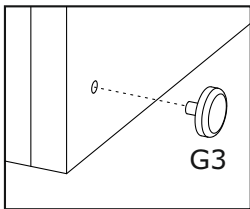
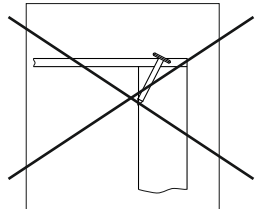
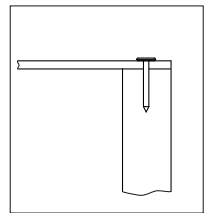
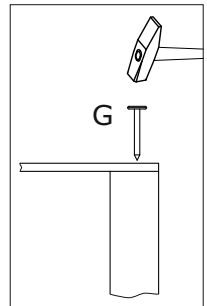
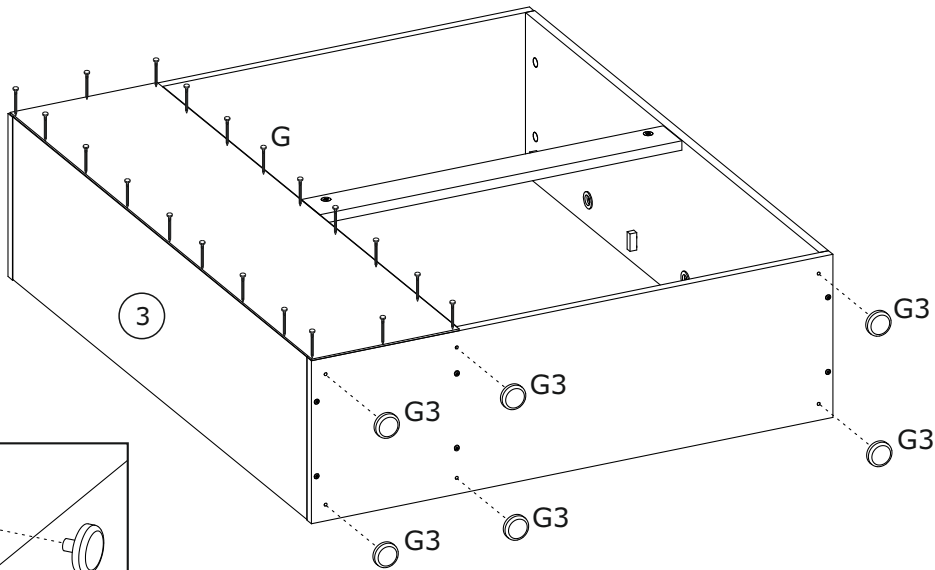
7



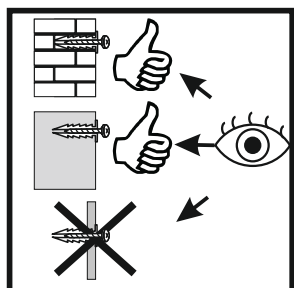
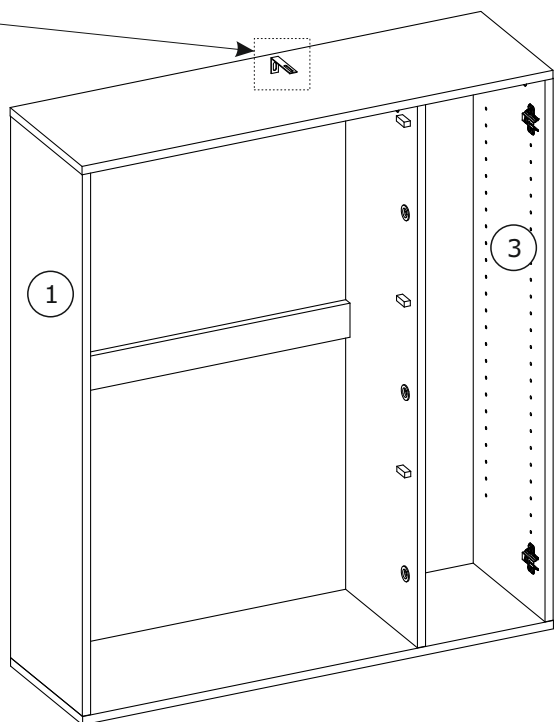
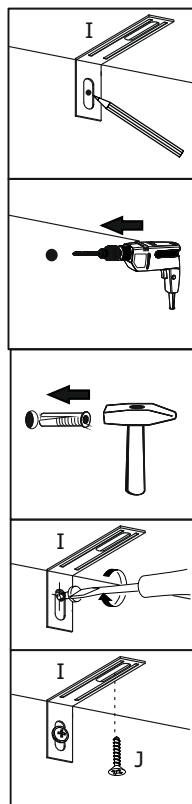
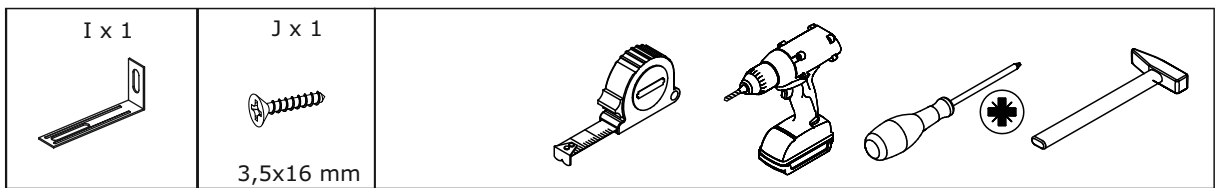
  $XX = YY \equiv 90^\circ$



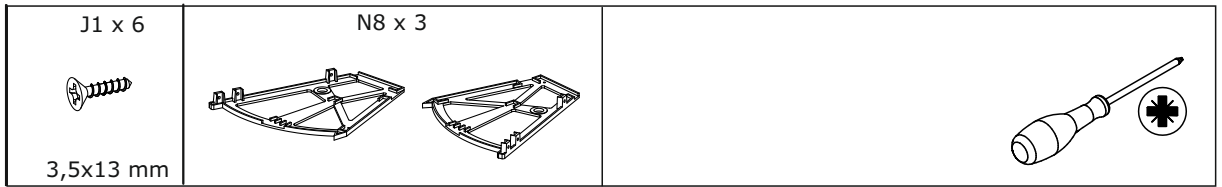
8




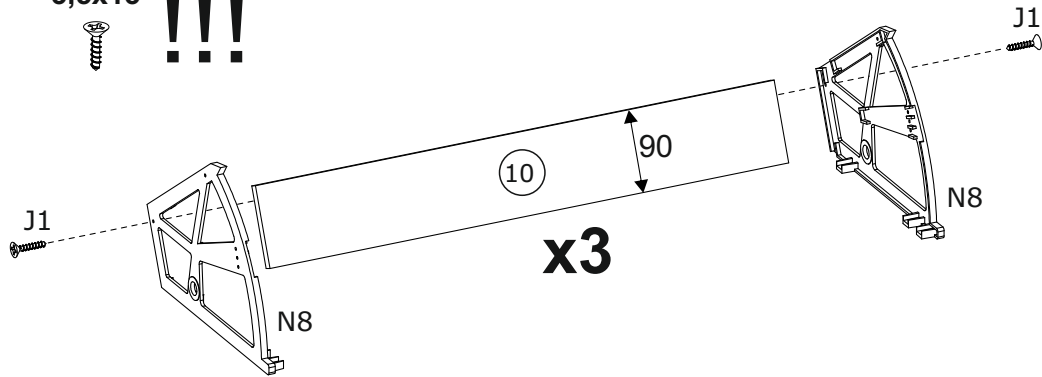
9



10




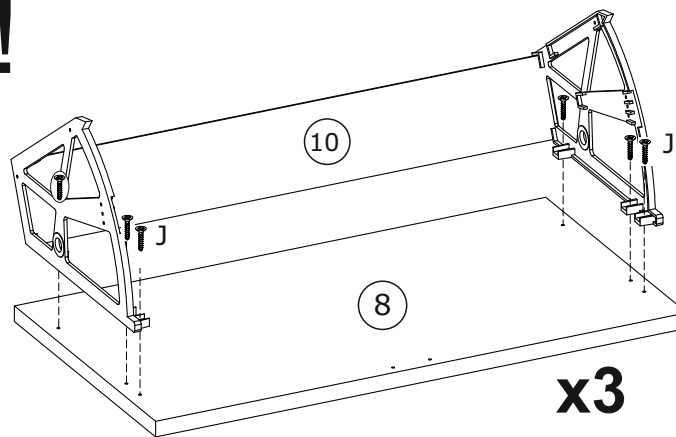
3,5x13 !!!  




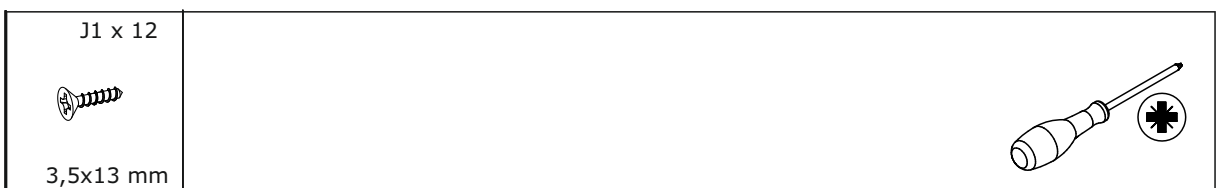
11




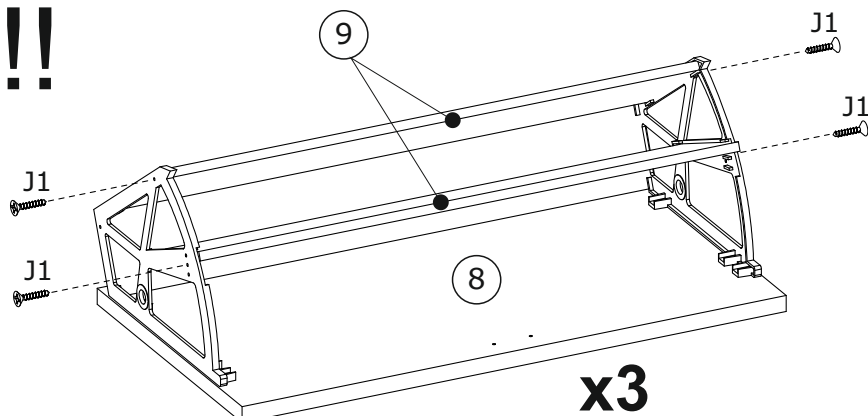
3,5x16 !!!  









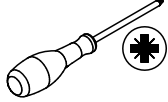
12

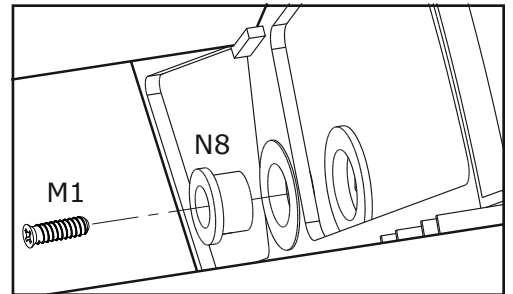
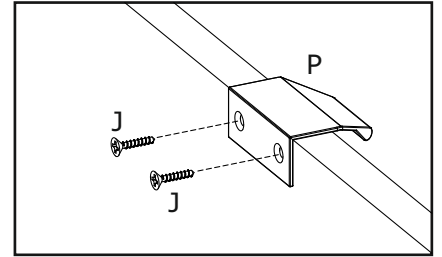
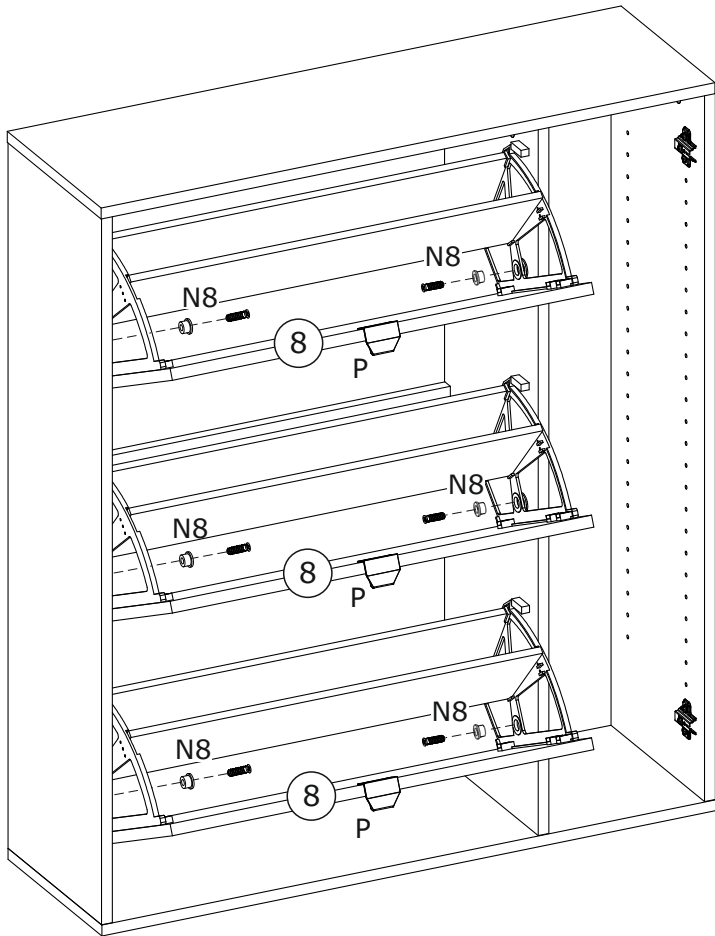


3,5x13 !!!  




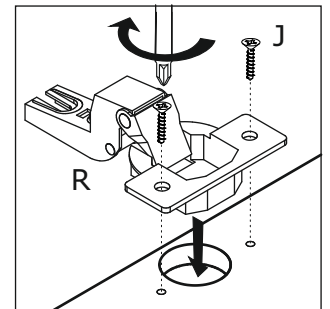
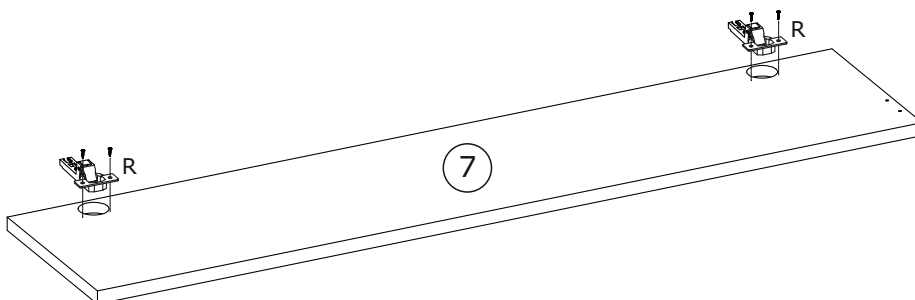
13

M1 x 6  Ø6,3x20 mm	N8 x 3  	P x 3 	J x 6  3,5x16 mm	
---	--	--	---	---

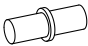
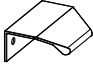

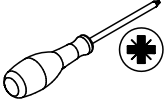


14

R x 2 	J x 4  3,5x16 mm	
--	---	---



15

O x 20  Ø5mm	P x 1 	J x 2  3,5x16 mm	
---	--	---	---

